

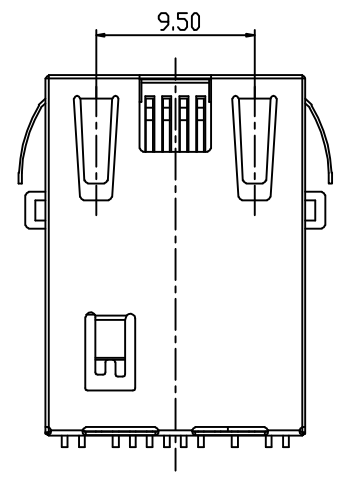
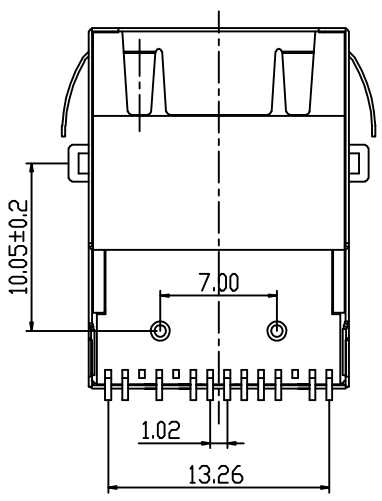
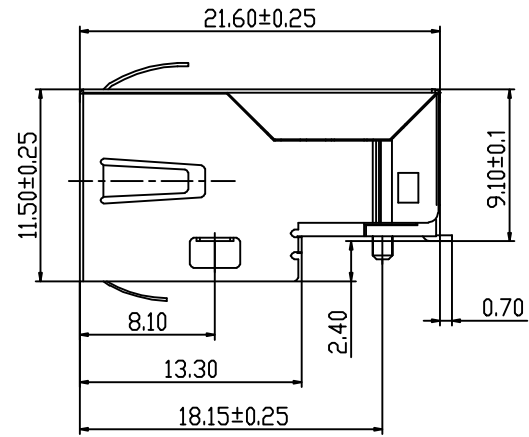
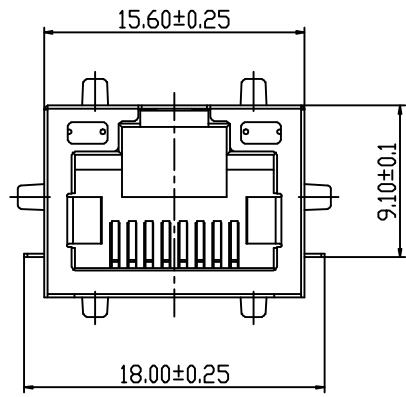


DESCRIPTION:
 RJ45 With internal Magnetics Connector
 Designed to support such applications as: Ethernet Equipment Complex, Switches, Routers, Firewalls, Servers and Hub
 Internal magnetics are 100% electrically tested for functionality per IEEE802.3af/at requirement

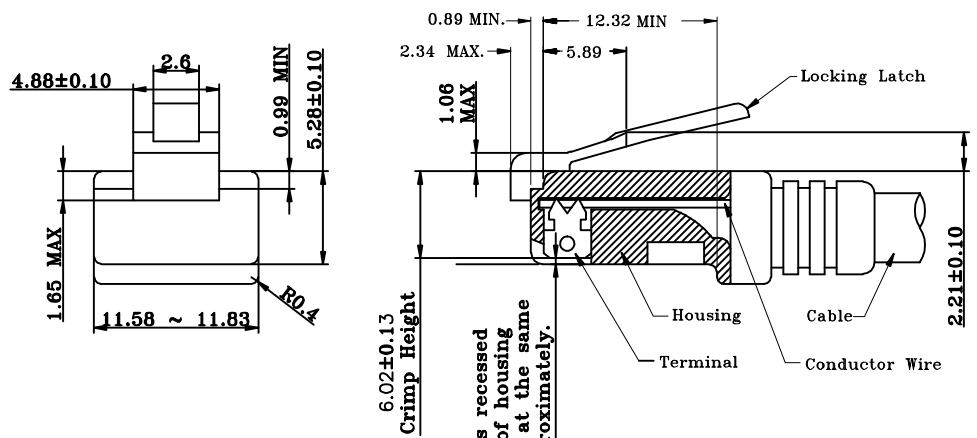
ELECTRICAL:
 RoHS peak wave solder temperature rating 235°C
 High performance for maximum EMI suppression
 JACK CAVITY CONFORMS TO FCC RULES AND REGULATIONS, PART 68 SUBPART F.
INSERTION FORCE: 2 CONTACTS----350g 4 CONTACTS----500g
 6 CONTACTS----750g 8 CONTACTS----900g
 10 CONTACTS----1050g

MECHANICAL:
RETENTION STRENGTH: 7.7Kgs BETWEEN JACK AND PLUG
DURABILITY: 750 MATING CYCLES Mini
HOUSING: 1) GLASS FILLED PA66 (UL 94V-0)
 2) GLASS FILLED PA46/LCP (UL 94V-0)
 3) GLASS FILLED PBT (UL 94V-0)

MATERIAL:
SPRING WIRE:
 1) 0.2-0.45mm DIA PHOSPHOR BRONZE GOLD PLATING OVER NICKEL
 2) 0.2-0.35mm THICKNESS PHOSPHOR BRONZE ALLOY SELECTIVE GOLD PLATING OVER NICKEL;
GOLD PLATING: 3μ#, 5μ#, 15μ#, 30μ#, 50μ#
WORKING TEMPERATURE: -20°C~70°C
TOLERANCES UNLESS OTHERWISE SPECIFIED :
 0-10±0.15, 10-20±0.2, 20-40±0.25, 40-70±0.3, ≥70±0.4



1.Recommend Plug Dim



All contacts recessed below top of housing and must be at the same height approximately.

All dimensions follow :
 FCC subpart F, 68,500, Figure (C)(2)(i)
 IEC 60603-7
 STANDARD MODULAR PLUG ASSEMBLY

NOTES : 1. Tolerance : PCB ±0.05mm
 Connector ±0.25mm
 2. Connector dimensions comply with FCC 68.5 dimension requirements

B-TOP 东莞市博腾电子科技有限公司
 Dongguan BtopTech Electronic Technology Co., Ltd.

| | | | |
|--------------------|-------|------------|--------|
| DIM. | TOL. | UNIT: | mm |
| X | ±0.30 | SCALE: | 1:1 |
| X.X | ±0.20 | SHEET: | 1 of 2 |
| X.XX | ±0.15 | DWG. SIZE: | A4 |
| X.XXX | ±0.10 | LAYER: | XXXX |
| GENERAL ANGLE: ±3° | | | |

| | |
|-----------|------------------|
| WEBSITE: | WWW.BTOPTECH.COM |
| TEL: | 0769-38926198 |
| FAX: | 0769-38926199 |
| DRAWN: | |
| CHECKED: | |
| APPROVED: | |

| | |
|-----------|---|
| TITLE: | B50SMT(36-28)F4-03A-P123-C92 |
| PART NO.: | TAB-UP 21.6 沉板 1XIPin 10/10BASE W/SHELL W/LED |

| XA | NEW RELEASE | xxxx | Jason | 2017-Dec-11 |
|------|-------------|---------|-------|-------------|
| REV. | DESCRIPTION | ECN NO. | NAME | DATE |

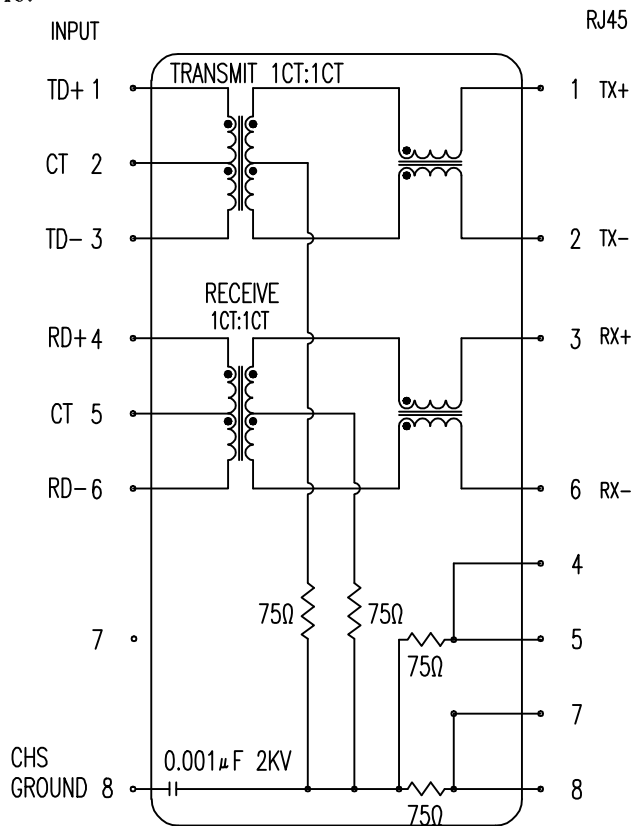
REVISIONS

Meets or exceeds IEEE 802.3 standard for 10/100 Base-TX
 350 uH minimum OCL with 8mA DC bias current
 Available with or without LEDs
 Minimum 1500Vrms isolation per IEEE802.3 requirement
 Operating temperature 0°C to +70°C
 Storage temperature -40°C to +85°C

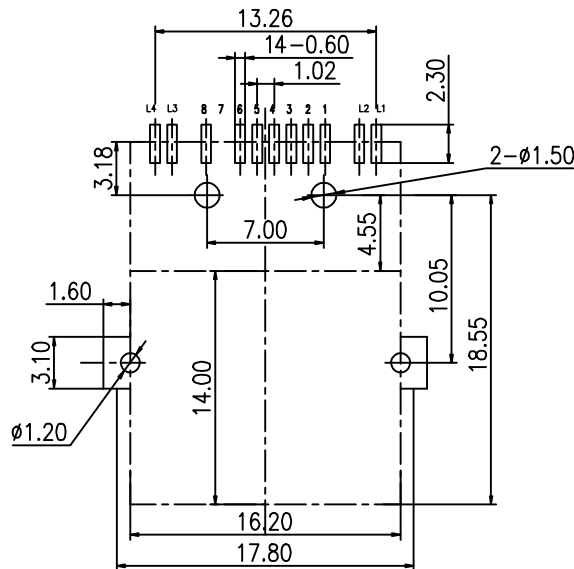
2. TRANSFORMER ELECTRICAL SPECIFICATIONS AT 25°C;

| Insertion Loss (dB max.) | Return Loss (dB min.) | | | Cross talk (dB min.) | | | C.M.R. (dB min.) | | Hi - pot (Vrms) |
|-----------------------------|--------------------------|--------------|--------------|-------------------------|--------------|---------------|---------------------|---------------|--------------------|
| | 1-30 MHz | 30-60 MHz | 60-80 MHz | 1-30 MHz | 30-60 MHz | 60-100 MHz | 10-60 MHz | 60-100 MHz | |
| -1.0 | -18 | -16 | -12 | -40 | -35 | -30 | -40 | -30 | 1500 |

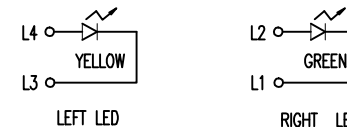
3. SCHEMATIC:



4. Pin Assignment For PCB Layout



Suggested PCB Pad Layout
Component Side View



| Standard LED Color | LED Wavelength | Forward (V MAX) | Typical (V TYP) | Luminous Intensity |
|--------------------|----------------|-----------------|-----------------|--------------------|
| Green | 560-580nm | 2.5V | 2.1-2.2V | 9-25MCD |
| Yellow | 580-610nm | 2.5V | 2.1-2.2V | 9-30MCD |

LED Specification

5. ORDER INFORMATION

B N (Z) G X - M - A B C D - E H I

"B" with the company code

Series of products:
 60: Double deck RJ45 connector+transformer series (in sidelong footprint);
 59: Double deck RJ45 connector+transformer series (in vertical footprint);
 50: Single RJ45 + transformer series;
 52/53/55/56 LED/56/57/59: Ordinary RJ45 series; DX: that strip line series;
 40: Conversion said Connectivity
 80: Series that UK;
 91: Automotive connector public Block;
 92: Automotive connector mother Block;
 93: HDMI the head;
 94: HDMI mother Block;
 95: SMT series;
 96: RRS for switches

Family code (sequence id) : 1-99

Type of product code:
 G: Gigabit RJ45 transformer;
 F: 100Base RJ45 transformer;
 W: for no transformer RJ45 products;
 M: Series for board-to-board code

Number of magnetic ring

The No. of circuit

Product definition LOGO:
 1-Press "B-TOP"; 2-No "B-TOP";
 3- Other companies LOGO

Product definition plastic materials:
 1-PA66, 2-PA46, 3-PA, 4-PA6, 5-PBTF,
 6-ABS, 7-PA9T, 8-PC, 9-LCP

Pin definition of the product:
 F-Pin after; B-Pin back; C- No definition of the product

Electroplating product definition:
 gold-plated terminals (degrees after nickel plated)
 1-Fz; 2-3μ; 3-6μ; 4-15μ; 5-30μ;
 6-50μ; 7-(Ni-50μ, Sn-80-120μ).

Product shielding definition:
 0-no shielding shell; 1-without shielding shell shrapnel;
 2-shielding a shell shrapnel; 3-a half-shield shell;

Products luminous definition:
 0- No LED; 1-Left Yellow Right Green; 2- Left Green Right Yellow; 3- Double Green; 4- Double Yellow; 5- LED straight for the pin; 6- A special definition; 7- Single linear LEDs

Products outport:
 1-2X1, 2-2X2, 4-2X4, 5-2X5, 6-2X6, 8-2X8 A-1X1,
 B-1X2, C-1X4, D-1X5, E-1X6, T-1X6, U-(USB+RJ45), P-TAB
 UP1X1, H-TAB UP1X2, K-TAB UP1X4.

B-TOP 东莞市博腾电子科技有限公司
 Dongguan BtopTech Electronic Technology Co., Ltd.

| | |
|-----------|--|
| TITLE: | B50SMT(36-28)F4-03A-P123-C92 |
| PART NO.: | TAB-UP 21.6 壳型 1X1Pin 10/100BASE W/SHELL W/LED |

| | |
|----------------|-------|
| DIM. | TOL. |
| X | ±0.30 |
| X.X | ±0.20 |
| X.XX | ±0.15 |
| X.XXX | ±0.10 |
| GENERAL ANGLE: | ±3° |

| | |
|------------|--------|
| UNIT: | mm |
| SCALE: | 1:1 |
| SHEET: | 2 of 2 |
| DWG. SIZE: | A4 |
| LAYER: | XXXX |

| | |
|-----------|------------------|
| WEBSITE: | WWW.BTOPTECH.COM |
| TEL: | 0769-38926198 |
| FAX: | 0769-38926199 |
| DRAWN: | |
| CHECKED: | |
| APPROVED: | |

| | | | | |
|------|-------------|---------|-------|-------------|
| REV. | DESCRIPTION | ECN NO. | NAME | DATE |
| XA | NEW RELEASE | xxxx | Jason | 2017-Dec-11 |

REVISIONS