

B	LEFT LED	RIGHT LED	客户确认规格
1	YELLOW	GREEN	
2	GREEN	YELLOW	确认
3	GREEN	GREEN	
4	YELLOW	YELLOW	

LED POLARITY

NOTICE

ELECTRICAL :

CURRENT RATING:1.5A VOLTAGE RATING: 125V AC INSULATION RESISTANCE:500MΩ Mini
 WITHSTAND VOLTAGE: AC 1500 V RMS 50Hz OR 60Hz 1 Min CONTACT RESISTANCE: 20mΩ Max

MECHANICAL:

INSERTION FORCE: 2 CONTACTS----350g, 4 CONTACTS----500g,
 6 CONTACTS----750g, 8 CONTACTS----900g, 10 CONTACTS----1050g ;
 RETENTION STRENGTH: 7.7Kg BETWEEN JACK AND PLUG
 DURABILITY: 750 MATING CYCLES Mini;

MATERIAL:

HOUSING: 1) GLASS FILLED PA66 (UL 94V-0), 2) GLASS FILLED PA46 (UL 94V-0)
 3) GLASS FILLED PBT (UL 94V-0)

SPRING WIRE: 1) 0.45mm DIA PHOSPHOR BRONZE GOLD PLATING OVER NICKEL

2) 0.35mm THICKNESS PHOSPHOR BRONZE ALLOY SELECTIVE GOLD PLATING OVER NICKEL

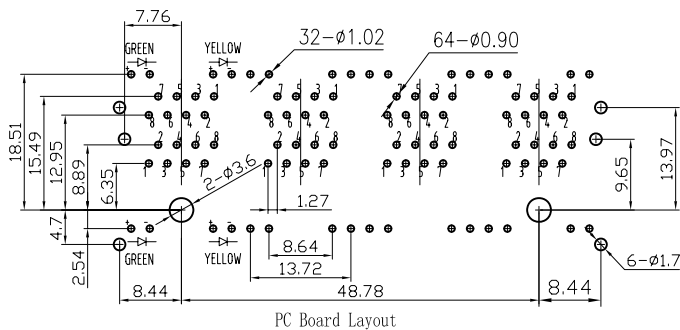
SHIELDING: 0.25mm THICKNESS COPPER ALLOY WITH TIN PLATED

GOLD PLATING: $\sqrt{\mu}$, 3 μ , 6 μ , 15 μ , 30 μ , 50 μ

WORKING TEMPERATURE: -40℃ to 70℃

Specification:

- 1:TOLERANCES UNLESS OTHERWISE SPECIFIED :
 0~10±0.2、10~20±0.25、20~40±0.3、
- 2:JACK CAVITY CONFORMS TO FCC RULES AND



PC Board Layout

"B" with the company code

Series of products: 59: Double RJ45 + transformer series; 50: Single RJ45 + transformer series; 52/53/55/56 LED/56/57/59: Ordinary RJ45 series; DX: that strip line series; 40: Conversion said Connectivity 80: Series that UK; 91: Automotive connector public Block; 92: Automotive connector mother Block; 93: HDMI the head; 94: HDMI mother Block; 95: SWI series; 96: RMS for switches

Family code (sequence id): 1-99

Type of product code: G: Gigabit RJ45 transformer; F: 100Base RJ45 transformer; W for no transformer RJ45 products; W Series for board-to-board code; N: Series for board-to-board code

Products out part: 1-2X1; 2-2X2; 4-2X4; 5-2X5; 6-2X6; 8-2X8; A-1X1; B-1X2; C-1X4; D-1X5; E-1X6; 1-1X8; U-(USB+RJ45); P-TAB UP(1in)1X1; H-TAB UP(1in) 1X2; K-TAB UP(1in) 1X4;

Products luminous definition: 0 - No LED; 1-Left Yellow Right Green; 2- Left Green Right Yellow; 3 - Double Green; 4 - Double Yellow; 5 - LED straight for the pin; 6 - A special definition;

B N(Z)G - A B C D - E H I

Product definition LOGO: 1 - Press "B-TOP"
 *2- No "B-TOP"; 3- Other companies LOGO

Product definition plastic materials: 1-PA66,2-PA46,
 3-PA, 4-PA6, 5-PBT, 6-ABS, 7-PA9T,8-PC

Pin definition of the product:F-Pin after; B-Pin
 back; C- No definition of the product

Electroplating product definition: gold-plated terminals(degrees after nickel plated) 1-F
 μ ; 2-3 μ ; 3-6 μ ; 4-15 μ ; 5-30 μ ; 6-50 μ ; 7-7(NH-50 μ , Sn-80-120 μ) ;

Product shielding definition: 0 - no shielding shell; 1 - without shielding shell
 shrapnet; 2 - shielding a shell shrapnet; 3 - a half-shield shell;

B-TOP 东莞市博腾电子科技有限公司
 Dongguan BroadTop Electronic Technology Co., Ltd.

Designed

Checked

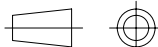
Approved

MATERIAL

DESCRIPTION

B59(36-06)W-4241-C52(B59 2X4 G-Y LED EMI)

FIRST ANGLE PROJECTION



TEL: 0769-38926198
 FAX: 0769-38926199
 Website: www.BtopTech.cn
 www.BtopTech.com

SCALE

1:1

UNIT

mm

MODEL NO.

REV.