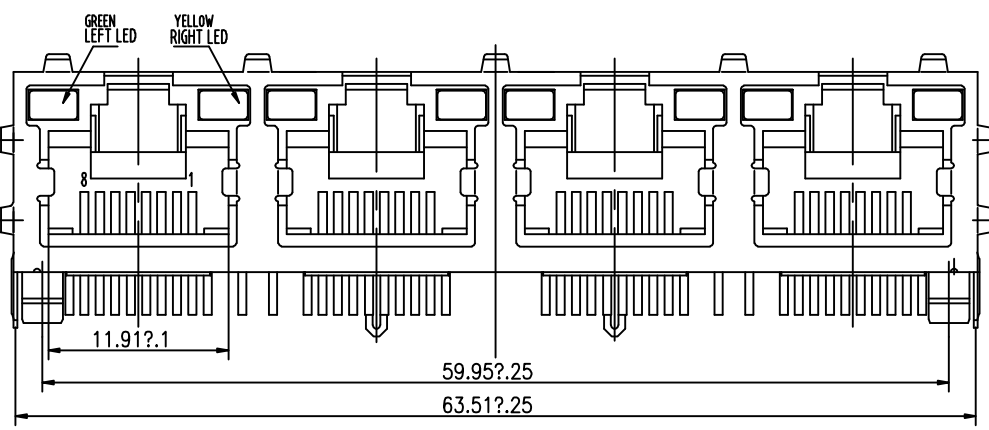
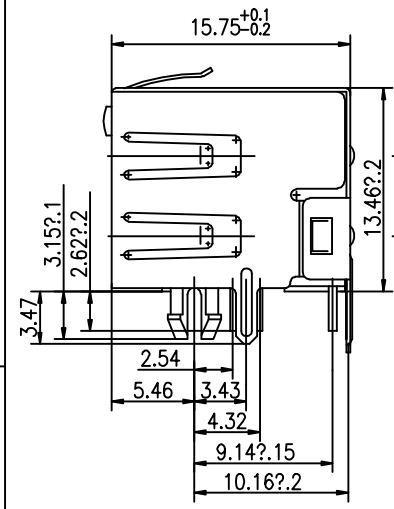


SPECIFICATIONS

- CURRENT RATING: VOISPAGE RATING: 125V AC
- INSULATION RESISTANCE: 500MΩ Mini
- WITHSTAND VOLTAGE: AC 1500 V RMS 50Hz OR 60Hz 1 Min
- CONTACT RESISTANCE: 20mΩ Max
- INSERTION FORCE: 2 CONTACTS----350g 4 CONTACTS----500g
6 CONTACTS----750g 8 CONTACTS----900g
10 CONTACTS----1050g
- RETENTION STRENGTH: 7.7Kg BETWEEN JACK AND PLUG
- DURABILITY: 750 MATING CYCLES Mini
- HOUSING: 1) GLASS FILLED PA66 (UL 94V-0)
2) GLASS FILLED PA46 (UL 94V-0)
3) GLASS FILLED PBT (UL 94V-0)
- SPRING WIRE: 1) 0.45mm DIA PHOSPHOR BRONZE GOLD PLATING OVER NICKEL
2) 0.35mm THICKNESS PHOSPHOR BRONZE ALLOY SELECTIVE GOLD PLATING OVER NICKEL
- SHIELDING: 0.24mm THICKNESS COPPER ALLOY WITH TIN PLATED
- GOLD PLATING: 3μ", 6μ", 15μ", 30μ", 50μ"
- WORKING TEMPERATURE: -40℃ to 70℃
- TOLERANCES UNLESS OTHERWISE SPECIFIED: 0.40±0.15, 10.20±0.2, 20.40±0.25,
4.070±0.3, ±0.10±0.4

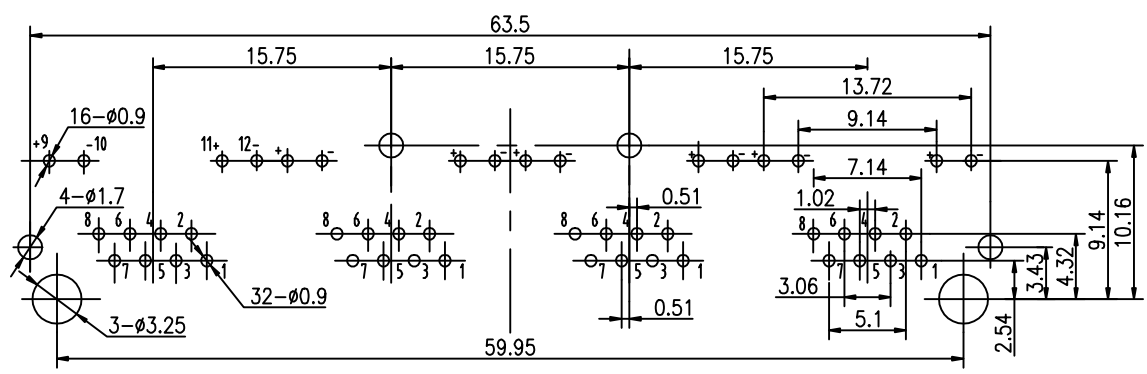
A

A



B

B



B N Z G A B C D E H I

"B" with the company

Series of products: 59: Double RJ45 + transformer series; 50: Single RJ45 + transformer series; 52/53/55/56 LED/56/57/59: Ordinary RJ45 series; DX: that strip line series; 40: Conversion sold

Connectivity: 80: Series that UK; 91: Automotive connector public Block; 92: Automotive connector mother Block; 93: HDMI the head; 94: HDMI mother Block; 95: HDMI connector series

Family code (sequence list) 1400

Type of product code: G: Gigabit RJ45 transformer; F: 100Base RJ45 transformer; W for no transformer RJ45 products; W Series for board-to-board code; M: Series

Product numbers definition: 0 - No LED; 1 - Left Yellow Right Green; 2 - Left Green Right Yellow; 3 - Double Green; 4 - Double Yellow; 5 - LED straight for the plug; 6 - Assembled definition;

Product definition LOGO: 1 - Press "B-TOP"; 2 - No "B-TOP"; 3 - Other companies LOGO

Product definition plastic materials: 1-PA66, 2-PA46, 3-PA, 4-PA6, 5-PBT, 6-ABS, 7-PA9T, 8-PC

Pin definition of the product: F-Pin after; B-Pin back; C- No definition of the product

Electroplating product definition: gold-plated terminals (degree after nickel plated) 1-Fμ"; 2-3μ"; 3-6μ"; 4-15μ"; 5-30μ"; 6-50μ"; 7-(Ni-50μ", Sn-80-120μ")

Product shielding definition: 0 - no shielding shell; 1 - without shielding shell shrapnel; 2 - shielding a shell shrapnel; 3 - a half-shield shell;

B-TOP® 东莞市博腾电子科技有限公司
Dongguan BroadTop Electronic Technology Co., Ltd.

TEL: 0769-38926198
FAX: 0769-38926199
Website: www.broadtop.com

Designed				MATERIAL				DESCRIPTION	B56LED(11-18)W-C221-B52(56LED 1X4 EMI 8P左右黄)		
Checked				SCALE	2:1	UNIT	mm	MODEL NO.			
Approved									REV.	V1.0	