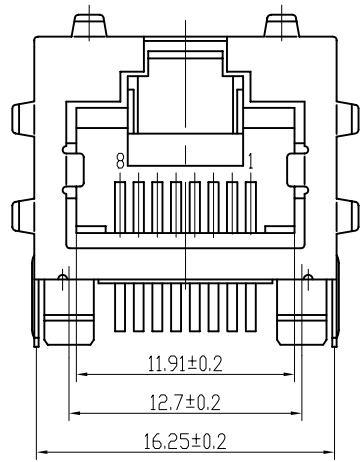
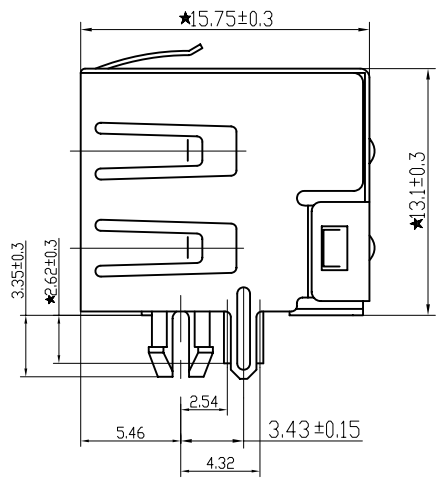


PCB BOARD LAYOUT



NOTICE

ELECTRICAL :

CURRENT RATING:1.5A VOLTAGE RATING: 125V AC INSULATION RESISTANCE:500M Ω Mini
 WITHSTAND VOLTAGE: AC 1500 V RMS 50Hz OR 60Hz 1 Min
 CONTACT RESISTANCE: 20m Ω Max

MECHANICAL:

INSERTION FORCE: 2 CONTACTS----350g, 4 CONTACTS----500g,
 6 CONTACTS----750g, 8 CONTACTS----900g, 10 CONTACTS----1050g ;
 RETENTION STRENGTH: 7.7Kg BETWEEN JACK AND PLUG
 DURABILITY: 750 MATING CYCLES Mini;

MATERIAL:

HOUSING: 1) GLASS FILLED PA66 (UL 94V-0), 2) GLASS FILLED PA46 (UL 94V-0)
 3) GLASS FILLED PBT (UL 94V-0)

SPRING WIRE:

1) 0.45mm DIA PHOSPHOR BRONZE GOLD PLATING OVER NICKEL
 2) 0.35mm THICKNESS PHOSPHOR BRONZE ALLOY SELECTIVE GOLD PLATING OVER NICKEL

SHIELDING:

0.25mm THICKNESS COPPER ALLOY WITH TIN PLATED

GOLD PLATING:

F μ ", 3 μ ", 6 μ ", 15 μ ", 30 μ ", 50 μ "

WORKING TEMPERATURE:

-40 $^{\circ}$ C~70 $^{\circ}$ C



B N (Z) G - A B C D - E H I

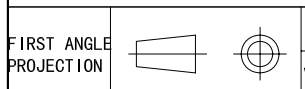
Series of products: 59: Double RJ45 + transformer series; 50: Single RJ45 + transformer series; 52/53/55/56 LED/56/57/59: Ordinary RJ45 series; DX: that strip line series; 40: Conversion said Connectivity; 80: Series that UK; 91: Automotive connector public Block; 92: Automotive connector mother Block; 93: HDMI the head; 94: HDMI mother Block; 95: SMI series; 96: R/S for switches

Family code (sequence id) :1-99
 Type of product code: G: Gigabit RJ45 transformer; F: 100Base RJ45 transformer; W for no transformer RJ45 products; W Series for board-to-board code; W: Series for board-to-board code
 Products out part: 1-2X1: 2-2X2: 4-2X4: 5-2X5: 6-2X6: 8-2x8: A-1X1: B-1X2: C-1X4: D-1X5: E-1X6: F-1X8: U-(USB+RJ45): P-TAB UP(10): H-TAB UP(10): X2: K-TAB UP(10): X4:
 Products luminous definition: 0 - No LED; 1-Left Yellow Right Green; 2-Left Green Right Yellow; 3-Double Green; 4-Double Yellow; 5-LED straight for the pin; 6 - A special definition;

Product definition LOGO: 1 - Press "B-TOP";
 2- No "B-TOP"; 3- Other companies LOGO
 Product definition plastic materials: 1-PA66, 2-PA46, 3-PA, 4-PA6, 5-PBT, 6-ABS, 7-PA9T, 8-PC
 Pin definition of the product: F-Pin after; B-Pin back;
 C- No definition of the product
 Electroplating product definition: gold-plated terminals (degrees after nickel plated) 1-F μ " ; 2-3 μ " ; 3-6 μ " ; 4-15 μ " ; 5-30 μ " ; 6-50 μ " ; 7-(N)-50 μ " ; 8-80-120 μ ");
 Product shielding definition: 0 - no shielding shell; 1 - without shielding shell shrapnel; 2 - shielding a shell shrapnel; 3 - a half-shield shell;

B-TOP[®] 东莞市博腾电子科技有限公司
 Dongguan BroadTop Electronic Technology Co., Ltd.

| | | | | | | | | | | | | | |
|----------|--|--|--|----------|-------|------|----|-------------|----------------------------------|--|--|------|------|
| Designed | | | | MATERIAL | | | | DESCRIPTION | B56LED(02-11)W-A021-B52(1X1 EMI) | | | | |
| Checked | | | | SCALE | 2.5:1 | UNIT | mm | MODEL NO. | | | | | |
| Approved | | | | | | | | | | | | REV. | V1.2 |



TEL: 0769-38926198
 FAX: 0769-38926199
 Website: www.BtopTech.cn
 www.BtopTech.com

| | | | |
|------|-----------|---|---|
| 命名更改 | 2017.7.25 | 1 | 2 |
|------|-----------|---|---|