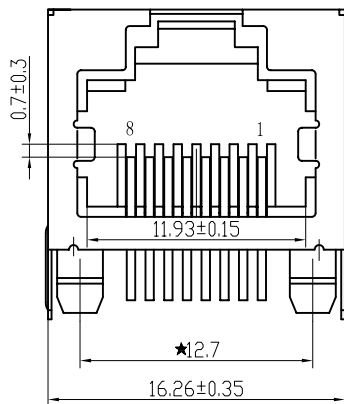
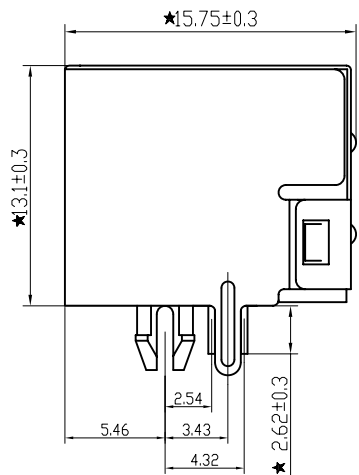


PC Board Layout



NOTES:

ELECTRICAL:

1. VOLTAGE RATING : 125 VAC RMS.
2. CURRENT RATING : 1.5 AMP.
3. CONTACT RESISTANCE : 30 MILLIOHMS MAX.
4. INSULATION RESISTANCE: 500 MEGOHMS MIN @ 500 VDC.
5. DIELECTRIC STRENGTH : 1000 VAC RMS 50Hz or 60Hz,1MIN.

MECHANICAL:

1. HOUSING & INSERT MATERIAL: PBT UL94V-0.
2. CONTACT MATERIAL: DIAMETER 0.45MM PHOSPHOR BRONZE GOLD PLATING OVER NICKEL.
3. SHIELD: 0.20MM THICKNESS BRASS WITH NICKEL PLATED.
4. MATING/UNMATING FORCE: 2.2KG.F MAX.
5. RETENTION STRENGTH: 7.7KG.F MIN BETWEEN JACK AND PLUG.
6. OPERATING LIFE: 600 CYCLES MIN.

ENVIRONMENTAL:

Storage: -40~85℃ Relative Humidity<70%
 Operating: 0~70℃

Remark:

- 1:TOLERANCES UNLESS OTHERWISE SPECIFIED :
 0~10±0.15, 10~20±0.2, 20~40±0.25,
 40~70±0.3, >70±0.4
- 2-JACK CAVITY CONFORMS TO FCC RULES AND REGULATIONS,PART 68 SUBPART F.



Series of products: 59: Double RJ45 + transformer series; 50: Single RJ45 + transformer series; 52/53/55/56 LED; 56/57/59: Ordinary RJ45 series; DX: that strip line series; 40: Conversion said Connectivity 80: Series that UK; 91: Automotive connector public Block; 92: Automotive connector mother Block; 93: HDMI the head; 94: HDMI mother Block; 95: SMT series; 96: BMS for switches

Family code (sequence id):1499

Type of product code: G: Gigabit RJ45 transformer; F: 100Base RJ45 transformer; W for no transformer RJ45 products; W Series for board-to-board code; W: Series for board-to-board code

Products out part: 1-2X1; 2-2X2; 4-2X4; 5-2X5; 6-2X6; 8-2x8; A-1X1; B-1X2; C-1X4; D-1X5; E-1X6; F-1X8; U-(USB+RJ45); P-TAB UP(DIN); H-TAB UP(DIN); X2; K-TAB UP(DIN); X4;

Products luminous definition: 0 - No LED; 1-Left Yellow Right Green; 2-Left Green Right Yellow; 3-Double Green; 4-Double Yellow; 5-LED straight for the pin; 6 - A special definition;

B N(Z)G- A B C D - E H I

Product definition LOGO: 1-Press "B-TOP";
 2-No "B-TOP"; 3-Other companies LOGO

Product definition plastic materials: 1-PA66, 2-PA46, 3-PA, 4-PA6, 5-PBT, 6-ABS, 7-PA9T, 8-PC

Pin definition of the product: F-Pin after; B-Pin back;
 C- No definition of the product

Electroplating product definition: gold-plated terminals (degrees after nickel plated) 1-4 μ " ; 2-3 μ " ; 3-6 μ " ; 4-15 μ " ; 5-30 μ " ; 6-50 μ " ; 7-(Ni-50 μ " ; Sn-80-120 μ ");

Product shielding definition: 0 - no shielding shell; 1 - without shielding shell shrapnel; 2 - shielding a shell shrapnel; 3 - a half-shield shell;

B-TOP® 东莞市博腾电子科技有限公司
 Dongguan BroadTop Electronic Technology Co., Ltd.

Designed

Checked

Approved

MATERIAL

DESCRIPTION

B56LED(02-05)W-A011-B52(B56LED1X1无LED无弹)

FIRST ANGLE PROJECTION



TEL: 0769-38926198
 FAX: 0769-38926199

Website: www.BtopTech.cn

Website: www.BtopTech.com

SCALE

2.5:1

UNIT

mm

MODEL NO.

REV.

V1.2

命名更改 | 2017.5.26 | 物料 | 20170724