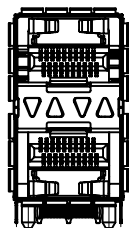
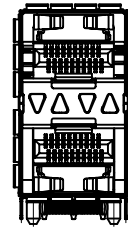


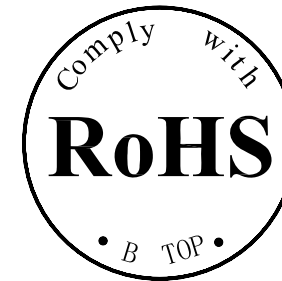
(4 LIGHT PIPE)



(2 OUTER LIGHT PIPE)



(2 INNER LIGHT PIPE)



NOTES:

MATERIAL:

CAGE: NICKEL SILVER, THICKNESS 0.25mm  
 LINGHT PIPE: POLYCARBONATE, COLOR: CLEAR.  
 CONNECTOR:  
 PLASTIC HOUSING: HIGH TEMPERATURE LCP, UL94 V-0.  
 SPRING: STAINLESS STEEL, THICKNESS 0.20mm  
 CONTACTS: PHOSPHOR BRONZE, THICKNESS 0.20mm  
 PLATING: 150?" MIN. GOLD ON MATING AREA,  
 150?" MIN. MATE TIN ON SOLDER TAILS.

PACKAGING: TRAY PACKAGING.

TEMPARATURE RANGE: -40°C TO +85°C

**B N (Z) G X - M - A B C D - E H I**

"B" with the company code

Series of products: 80:Double deck RJ45 connector + transformer series(In side/long footprint); 89:Double deck RJ45 connector + transformer series(In vertical footprint); 50: Single RJ45 + transformer series; 52/53/55/56/52B/56/57/59: Ordinary RJ45 series; 80: that strip line series; 40: Conversion said

Connectivity 80: Series that UK; 91: Automotive connector public Block; 92: Automotive connector rubber Block; 93: IBM/ the head; 94: IBM/ mother Block; 95: SMT series; 96: BHS for switches

Family code (sequence Id): 1-99

Type of product: code: G: Gigabit RJ45 transformer; F: 100Base RJ45 transformer; R: For an transformer RJ45 products; S: Series for board-mounted code

Number of magnetic ring

The No. of circuit

Product definition LOGO: 1- Press "B-TOP"; 2- No "B-TOP"; 3- Other companies LOGO

Product definition plastic materials: 1-PA66,2-PA46, 3-PA, 4-PA6, 5-PBT, 6-ABS, 7-PA9T, 8-PC, 9-LCP

Pin definition of the product: F-Pin after; B-Pin back; C- No definition of the product

Electroplating product definition: gold-plated terminals(degree after nickel plated) 1-F μ"; 2-3 μ"; 3-6 μ"; 4-15 μ"; 5-30 μ"; 6-50 μ"; 7-4N-50 μ"; 8i-80-120 μ";

Product shielding definition: 0 - no shielding shell; 1 - without shielding shell strapnet; 2 - shielding a shell strapnet; 3 - a half-shield shell

Products luminous definition: 0 - No LED; 1 - Left Yellow Right Green; 2 - Left Green Right Yellow; 3 - Double Green; 4 - Double Yellow; 5 - LED straight for the pin; 6 - A special definition; 7 - single linear LEDs

Products out part 1: 1=201 2=202 3=204 4=205 6=206 8=208 9=101 10=102 11=104 12=115  
 \* E=108 \* F=108 \* G=108-RJ45 \* H=108 LP101 \* I=108 LP102 \* J=108 LP104

**B-TOP®** 东莞市博腾电子科技有限公司  
 Dongguan BroadTop Electronic Technology Co., Ltd.

Designed		MATERIAL		DESCRIPTION	BSFP+(11-01)S-1K24-C92(SFP+ 2X1 EMI光子透光柱)
Checked		SCALE	1:1	UNIT	mm
Approved		MODEL NO.			

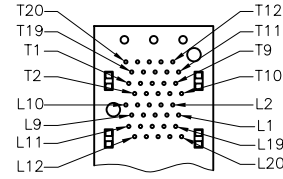
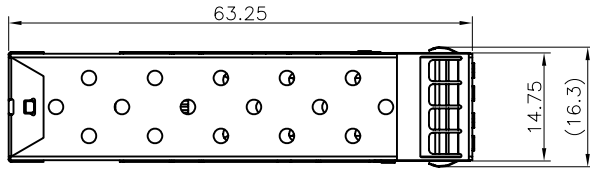
FIRST ANGLE PROJECTION

TEL: 0769-38926198  
 FAX: 0769-38926199  
 Website: www.BtopTech.cn  
 www.BtopTech.com

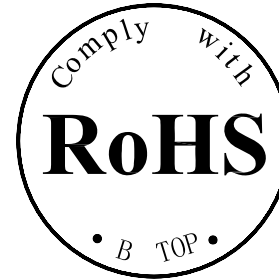
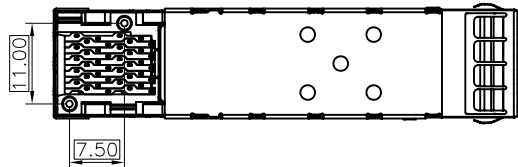
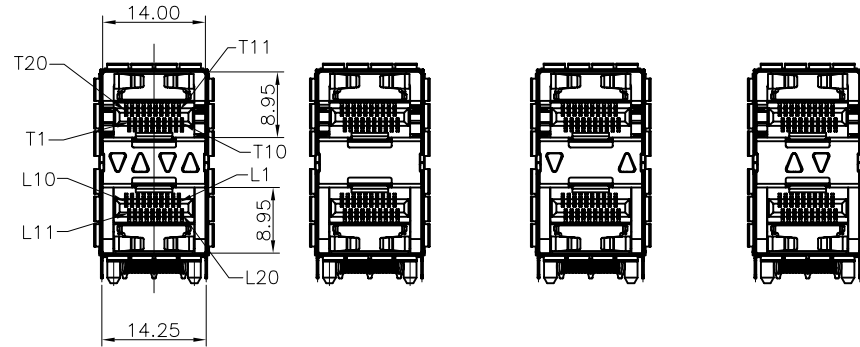
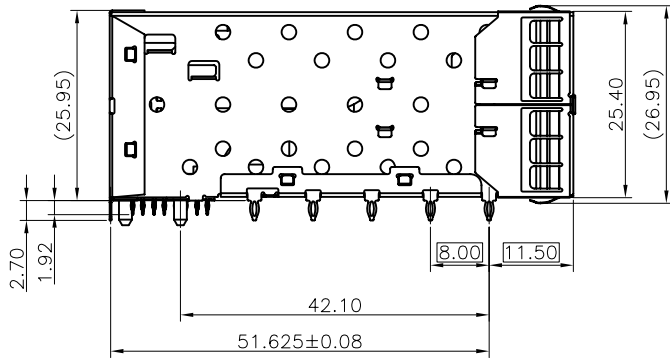
REV.	4-1
	1.1

由 Autodesk 教育版产品制作

由 Autodesk 教育版产品制作

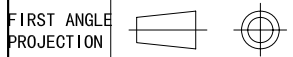


CONNECTOR PIN-OUT  
COMPONENT SIDE OF BOARD



**B-TOP®** 东莞市博腾电子科技有限公司  
Dongguan BroadTop Electronic Technology Co., Ltd.

Designed		MATERIAL		DESCRIPTION	BSFP+(11-01)S-1K24-C92(SFP+ 2X1 EMI光子透光柱)	
Checked		SCALE	1:1	UNIT	mm	MODEL NO.
Approved						4-2
						REV.
						1.1



TEL: 0769-38926198  
FAX: 0769-38926199  
Website: www.BtopTech.cn  
www.BtopTech.com

由 Autodesk 教育版产品制作

由 Autodesk 教育版产品制作

A

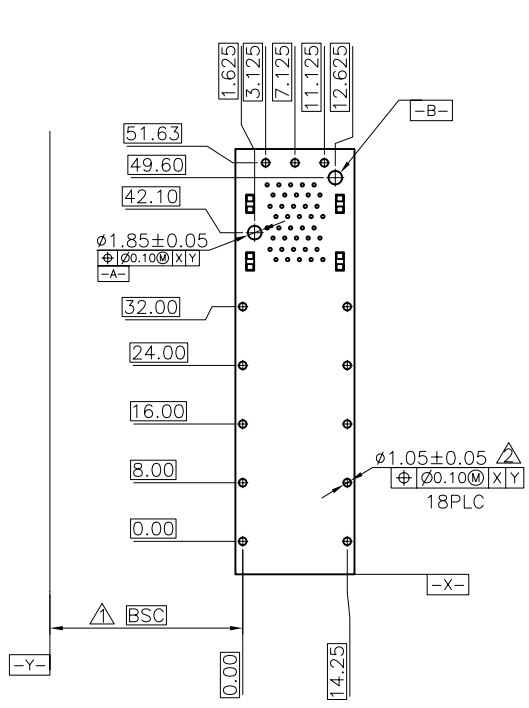
A

B

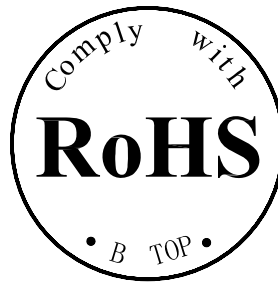
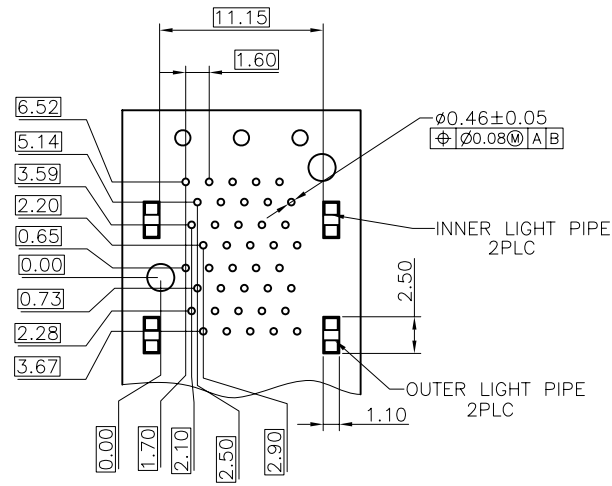
B

A

A



ECOMMENDED PCB CONFIGURATION



NOTES:

- 1. DATUM AND BASIC DIMENSIONS ESTABLISHED BY CUSTOMER.
- 2. 1.05 mm DIAMETER HOLES ARE CHASSIS GROUND (18 HOLES).

由 Autodesk 教育版产品制作

由 Autodesk 教育版产品制作

B

B

**B-TOP®** 东莞市博腾电子科技有限公司  
Dongguan BroadTop Electronic Technology Co., Ltd.

Designed

MATERIAL

DESCRIPTION

BSFP+(11-01)S-1K24-C92(SFP+ 2X1 EMI万兆子透光柱)

Checked

SCALE

1:1

UNIT

mm

MODEL NO.

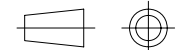
4-3

REV.

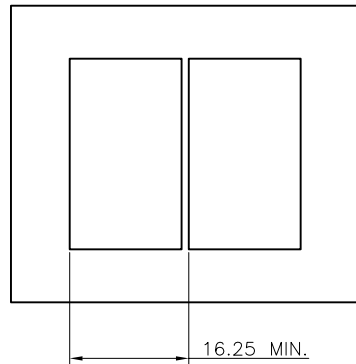
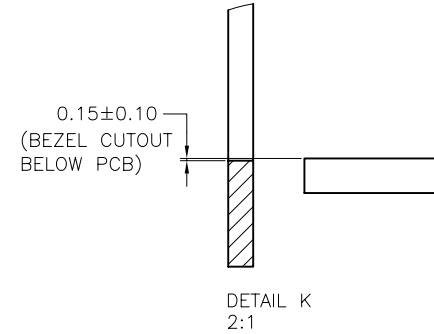
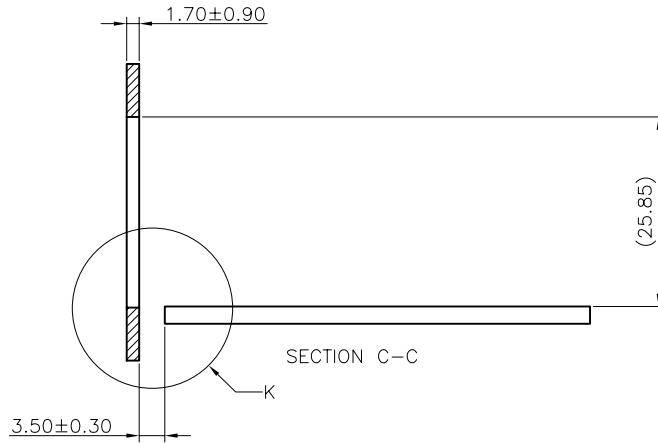
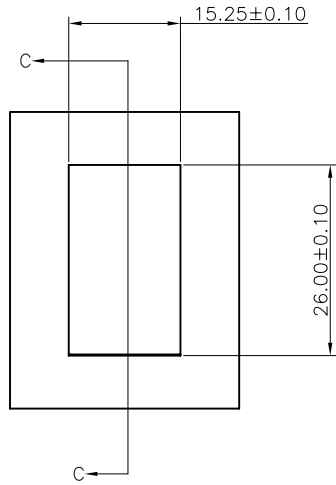
1.1

Approved

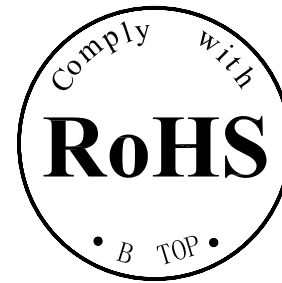
FIRST ANGLE PROJECTION



TEL: 0769-38926198  
FAX: 0769-38926199  
Website: www.BtopTech.cn  
www.BtopTech.com



RECOMMENDED BEZEL DESIGN



**B-TOP®** 东莞市博腾电子科技有限公司  
Dongguan BroadTop Electronic Technology Co., Ltd.

Designed

MATERIAL

DESCRIPTION

BSFP+(11-01)S-1K24-C92(SFP+ 2X1 EMI光子透光柱)

Checked

SCALE

1:1

UNIT

mm

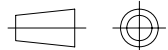
MODEL NO.

4-4

REV.

1.1

FIRST ANGLE PROJECTION



TEL: 0769-38926198  
FAX: 0769-38926199  
Website: www.BtopTech.cn  
www.BtopTech.com

Approved