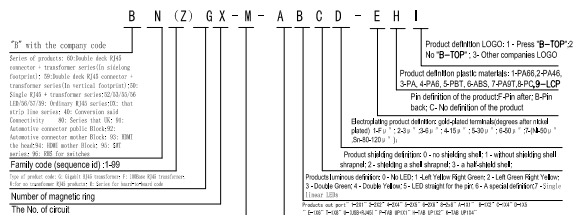


NOTES:

- 1.MATERIAL: NICKEL SILVER, THICKNESS 0.25mm
- 2.PACKAGING: TRAY PACKAGING
- 3.TEMPERATURE RANGE: -55°C TO +85°C



B-TOP® 东莞市博腾电子科技有限公司
Dongguan BroadTop Electronic Technology Co., Ltd.

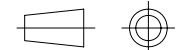
Designed
Checked
Approved

MATERIAL

DESCRIPTION

BSFP(01-41)S-C024-C92(SFP 1X4 压接脚)

FIRST ANGLE PROJECTION



TEL: 0769-38926198
FAX: 0769-38926199
Website: www.BtopTech.cn
www.BtopTech.com

SCALE

1.5:1

UNIT

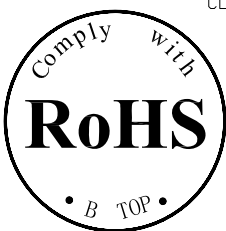
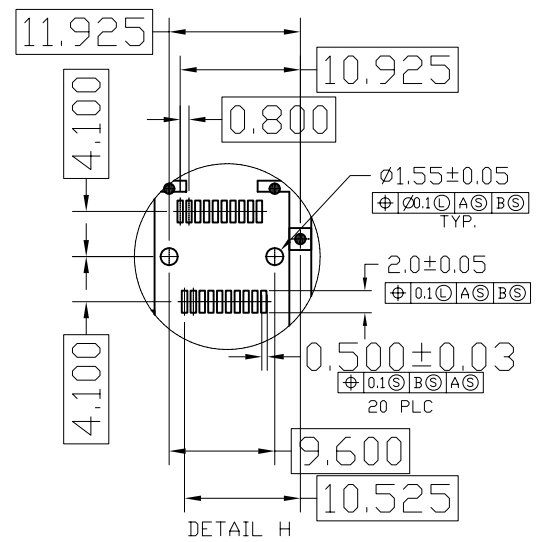
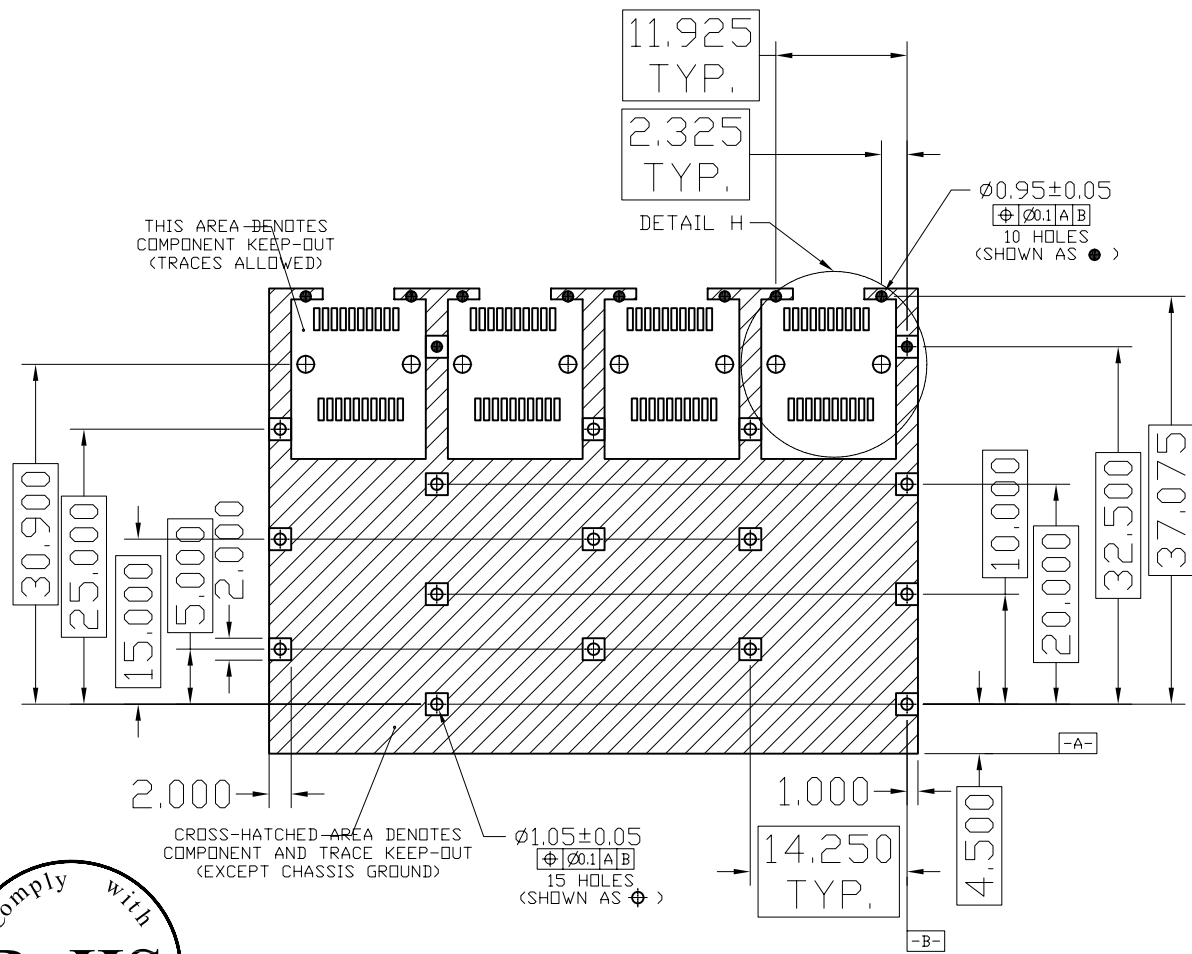
mm

MODEL NO.

1-1

REV.

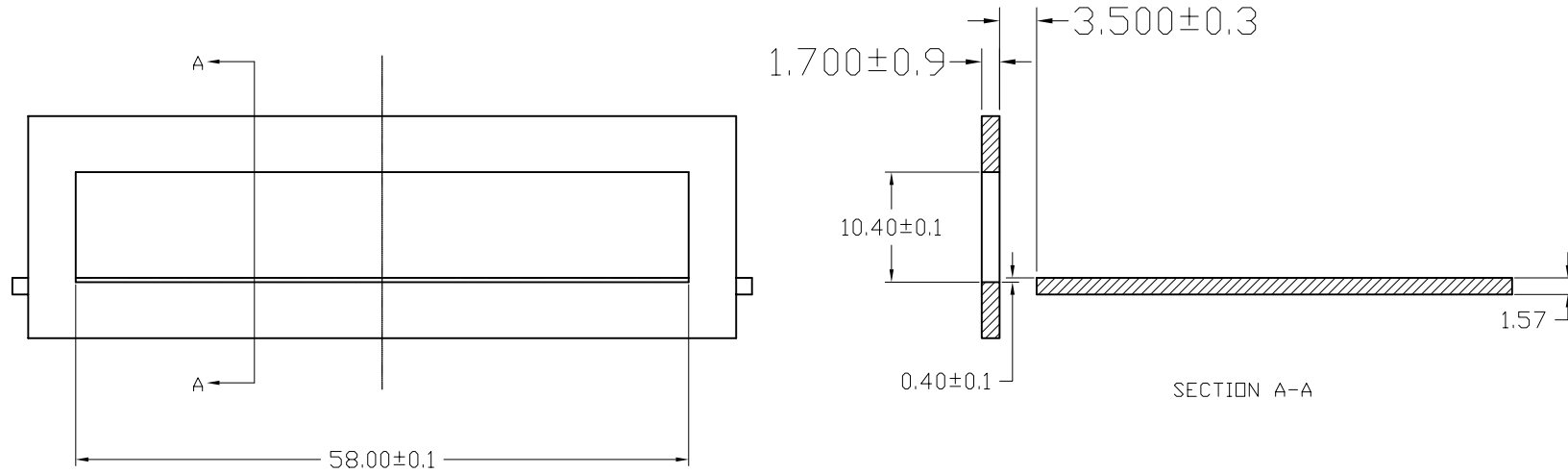
1.1



NOTES:

- 1. DATUM AND BASIC DIMENSIONS ESTABLISHED BY CUSTOMER
- 2. PADS AND VIAS ARE CHASSIS GROUND, 11 PLACES
- 3. THRU HOLES, PLATING OPTIONAL

B-TOP® 东莞市博腾电子科技有限公司 Dongguan BroadTop Electronic Technology Co., Ltd.		Designed	MATERIAL		DESCRIPTION		BSFP(01-41)S-C024-C92(SFP 1X4 压接脚)	
FIRST ANGLE PROJECTION		Checked	SCALE	1.5:1	UNIT	mm	MODEL NO.	1-2
		Approved						
TEL: 0769-38926198	FAX: 0769-38926199	Website: www.BtopTech.cn						



RECOMMENDED BEZEL DESIGN

NOTES:

- ▲ MINIMUM PITCH ILLUSTRATED, ENGLISH DIMENSIONS ARE FOR REFERENCE ONLY



B-TOP® 东莞市博腾电子科技有限公司
Dongguan BroadTop Electronic Technology Co., Ltd.

Designed			MATERIAL			DESCRIPTION	BSFP(01-41)S-C024-C92(SFP 1X4 压接脚)	
Checked			SCALE	1.5:1	UNIT	mm	MODEL NO.	1-3
Approved							REV.	1.1

FIRST ANGLE PROJECTION

TEL: 0769-38926198
FAX: 0769-38926199
Website: www.BtopTech.cn
www.BtopTech.com