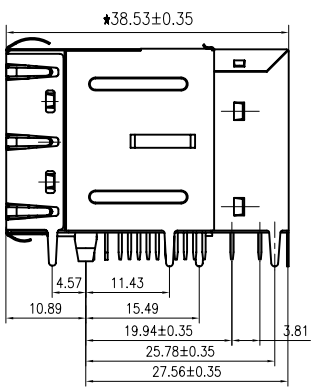
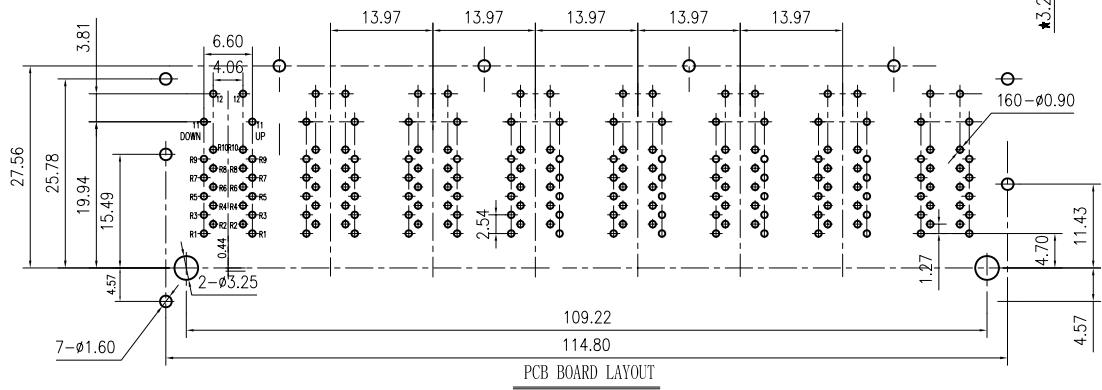
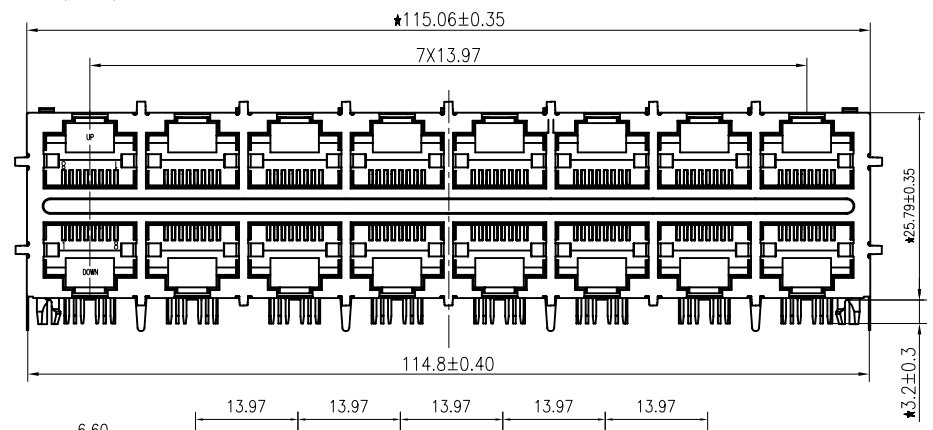
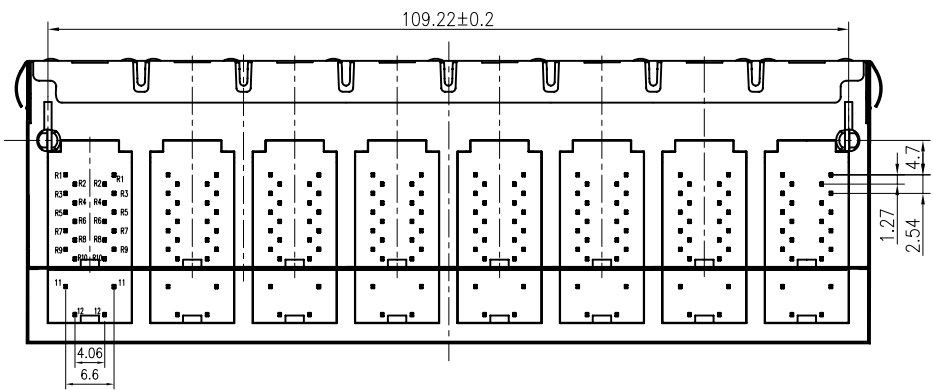


1

2



Specification
 1:TOLERANCES UNLESS OTHERWISE SPECIFIED :
 0~10±0.15, 10~20±0.2, 20~40±0.25,
 40~70±0.3, >70±0.4
 2:JACK CAVITY CONFORMS TO FCC RULES AND
 REGULATIONS,PART 68 SUBPART F.



A

A

B

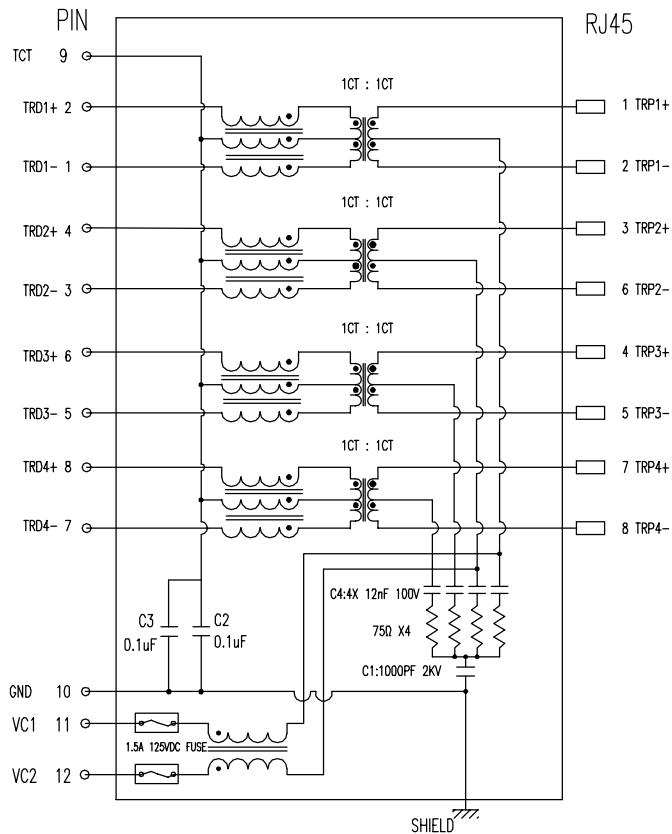
B

| | | | | | | | | | | | |
|---|--|----------|----------|-----|-------------|----|--|------|---------|-----------------|------------------|
| B-TOP ® 东莞市博腾电子科技有限公司 Dongguan BroadTop Electronic Technology Co., Ltd. | | Designed | MATERIAL | | DESCRIPTION | | B59(199-01)GP8-103-8023-C12(2X8 POE EMI) | | | | |
| FIRST ANGLE PROJECTION | | Checked | SCALE | 1:1 | UNIT | mm | MODEL NO. | REV. | | | |
| | | Approved | | | | | | | Website | www.BtopTech.cn | www.BtopTech.com |
| | | | | | | | | | | | |

1

2

V1.0



DESCRIPTION

ELECTRICAL: RJ45 With internal Magnetics Connector

Designde to support such applications as:Ethernet Equipment Complex,Switches,Routers,Firewalls,Servers and Hub
Internal magnetics are 100% electrically tested for functionality per IEEE802.3 requirement

RoHS peak wave solder temperature rating 235C

High performance for maximum EMI suppression

350uH minnum OCL with 8mA bias current

PoE rating: 350mA,57V;PoE+ rating:;750mA,57V;

MECHANICAL: JACK CAVITY CONFORMS TO FCC RULES AND REGULATIONS,PART 68 SUBPART F.

INSERTION FORCE: 8 CONTACTS--900g,10 CONTACTS--1050g

RETENTION STRENGTH: 7.7Kgs BETWEEN JACK AND PLUG

DURABILITY: 750 MATING CYCLES Mini

MATERIAL: HOUSING: 1) GLASS FILLED PA66 (UL 94V-0)

2) GLASS FILLED PA46/PA6T/PA9T/LCP (UL 94V-0)

3) GLASS FILLED PBT/PA/ABS/PC (UL 94V-0)

SPRING WIRE: 0.25-0.35mm THICKNESS,50-80μ"

SHIELDING: 0.2-0.24mm THICKNESS,50-80μ" PHOSPHOR BRONZE ALLOY SELECTIVE GOLD PLATING OVER NICKEL

GOLD PLATING: 3μ", 6μ", 15μ", 30μ", 50μ" COPPER ALLOY WITH TIN PLATED

Operating: 0C∞70C

Storage: -40C∞85C Relative Humidity<70%



ELECTRICAL SPECIFICATIONS AT 25°C

| Insertion Loss dB max | Return Loss dB min | | Crosstalk(db TYP) | Common Mode Rejection (dB TYP) | Hipot(vrms) |
|-----------------------|--------------------|--------------------|-------------------|--------------------------------|----------------------------|
| 1-125MHz | 1-30MHz | 30- 80MHz | 1- 100MHz | 1-100MHz | |
| -1.2 | -18 | -18+20log(f/30MHz) | -30 | -30 | 1500/0.5mA OR 2250DC/0.1mA |

"B" with the company

Series of products: 60: Double deck RJ45 connector + transformer series(In sidelong footprint); 59: Double deck RJ45 connector + transformer series(In vertical footprint);50: Single RJ45 + transformer series;52/53/55/56 LED/56/57/59: Ordinary RJ45 series;DX: that strip line series; 40: Conversion said Connectivity 80: Series that UK; 91: Automotive connector public Block;92: Automotive connector mother Block; 93: HDMI the head;94: HDMI the tail

Family Code (sequence id): 1-99

SW code: G: Gigabit RJ45 transformer; F: 100Base RJ45 transformer; W: for no transformer RJ45 products; M: Series for board-to-board code

Number of magnetic ring

The No. of circuit

Product definition LOGO: 1 - Press "B-TOP";2- No "B-TOP"; 3- Other companies LOGO

Product definition plastic materials: 1-PA66,2-PA46, 3-PA, 4-PAB, 5-PBT, 6-ABS, 7-PA9T,8-PC,9-LCP

Pin definition of the product:F-Pin after; B-Pin back; C- No definition of the product

Electroplating product definition: gold-plated terminals(degrees after nickel plated) 1-Fμ"; 2-3μ"; 3-6μ"; 4-15μ"; 5-30μ"; 6-50μ"; 7-(Ni-50μ", Sn-80-120μ");

Product shielding definition: 0 - no shielding shell; 1 - without shielding shell shrapnel; 2 - shielding a shell shrapnel; 3 - a half-shield shell;

Products luminous definition: 0 - No LED; 1-Left Yellow Right Green; 2- Left Green Right Yellow; 3 - Double Green; 4 - Double Yellow; 5 - LED straight for the pin; 6 - A special definition;7 - Single linear LEDs

Products out port:1-2X1,2-2X2,4-2X4,5-2X5,6-2X6,8-2x8,A-1X1, B-1X2,C-1X4,D-1X5,E-1X6,T-1X8,U-(USB+RJ45),P-TAB UPIXI,H-TAB UPIXI,Zr-TAB UPIXI;

B-TOP 东莞博腾电子科技有限公司
Dongguan BroadTop Electronic Technology Co., Ltd.

TEL: 0769-38926198
FAX: 0769-38926199
Website: www.BtopTech.cn
www.BtopTech.com

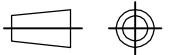
Designed
Checked
Approved

MATERIAL

DESCRIPTION

BT GP8-103E POE+ 保险丝

FIRST ANGLE PROJECTION



SCALE 1.8:1

UNIT mm

MODEL NO.

B80020010311

REV.