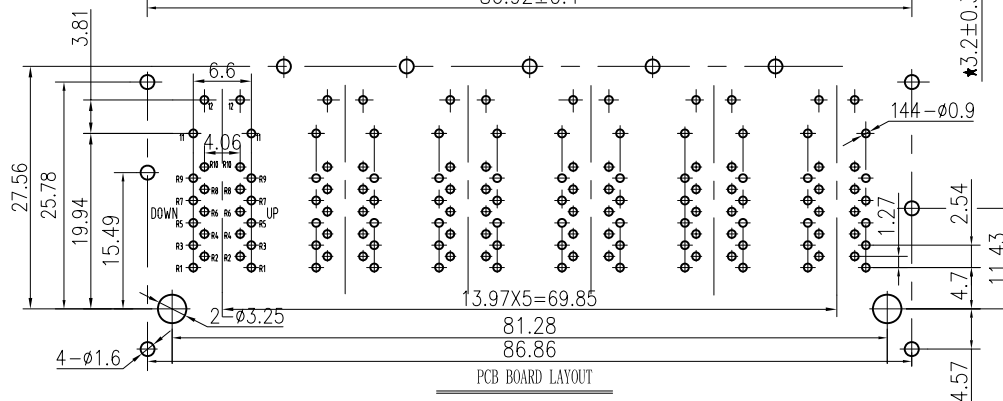
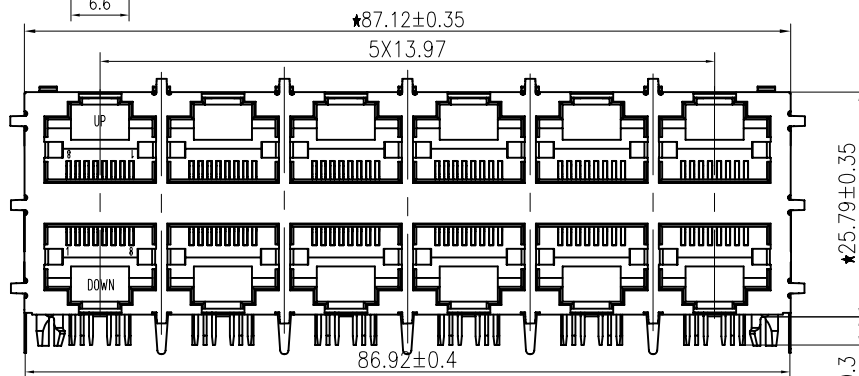
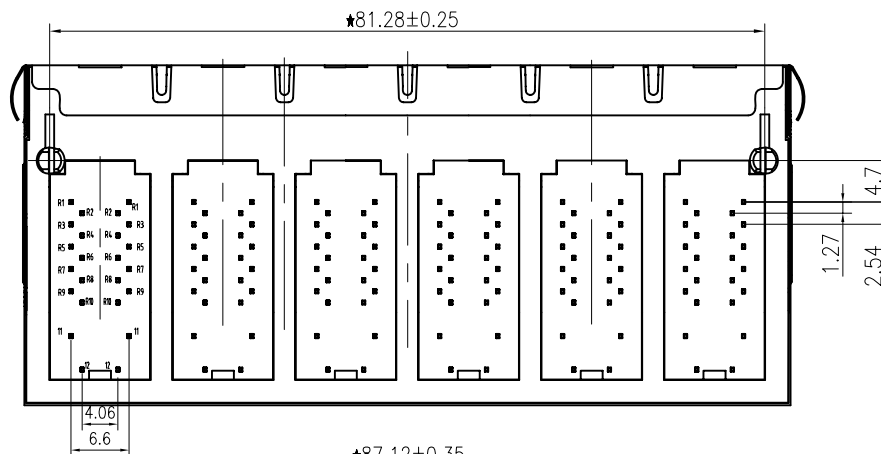
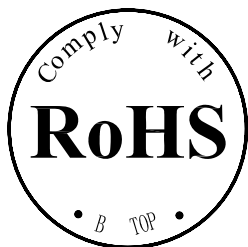
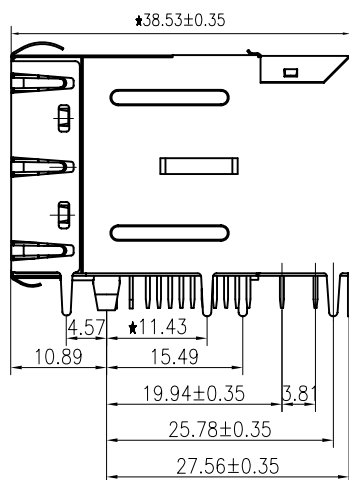


1

2

Specification:

- 1:TOLERANCES UNLESS OTHERWISE SPECIFIED :  
 0~10±0.15、10~20±0.2、20~40±0.25、  
 40~70±0.3、≥70±0.4
- 2:JACK CAVITY CONFORMS TO FCC RULES AND REGULATIONS,PART 68 SUBPART F.



**B-TOP** <sup>®</sup> 东莞市博腾电子科技有限公司  
 Dongguan BroadTop Electronic Technology Co., Ltd.

Designed

MATERIAL

DESCRIPTION

B59(169-85)GP8-170A-6023-C12(2X6 EMI GAS)

Checked

SCALE

1:2:1

UNIT

mm

MODEL NO.

REV.

1.1

FIRST ANGLE PROJECTION

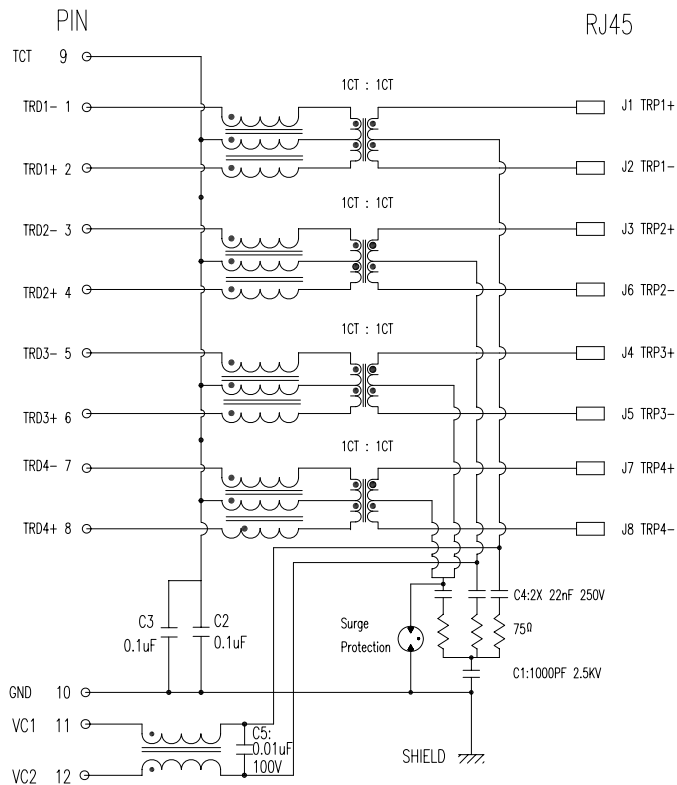


TEL: 0769-38926198  
 FAX: 0769-38926199  
 Website: www.BtopTech.cn  
 www.BtopTech.com

20170525

1

2



### DESCRIPTION

**ELECTRICAL:** RJ45 With internal Magnetics Connector  
 Designde to support such applications as:Ethernet Equipment Complex,Switches,Routers,Firewalls,Servers and Hub  
 Internal magnetics are 100% electrically tested for functionality per IEEE802.3af/at requirement  
 RoHS peak wave solder temperature rating 235℃  
 High performance for maximum EMI suppression  
 350uH minimum OCL with 8mA bias current; DCR: 1.4 Ohms Max  
 HIPOT:1.5KVrms MIN,60S; TURN RATIO:1:1±3%  
 PoE rating:15W 350mA,48V;PoE+ rating:30W,750mA,57V;PoE++ rating:60W,1000mA,57V (For PoE Products only)  
 JACK CAVITY CONFORMS TO FCC RULES AND REGULATIONS,PART 68 SUBPART F.

#### Surge Protection:

- TEC 6100-4-5(L-L 1kV Criteion B)
- TEC 6100-4-5(L-L 2kV Criteion C)
- TEC 6100-4-5(L-G 4kV Criteion B)
- TEC 6100-4-5(L-G 6kV Criteion C)

#### MECHANICAL:

JACK CAVITY CONFORMS TO FCC RULES AND REGULATIONS,PART 68 SUBPART F.  
 INSERTION FORCE: 8 CONTACTS--900g,10 CONTACTS--1050g  
 RETENTION STRENGTH: 7.7Kgs BETWEEN JACK AND PLUG  
 DURABILITY: 750 MATING CYCLES Mini

#### MATERIAL:

- HOUSING: 1) GLASS FILLED PA66 (UL 94V-0)
- 2) GLASS FILLED PA46/PA6T/PA9T/LCP(265℃) (UL 94V-0)
- 3) GLASS FILLED PBT/PA/ABS/PC (UL 94V-0)

SPRING WIRE: 0.25-0.35mm THICKNESS PHOSPHOR BRONZE ALLOY SELECTIVE GOLD PLATING OVER NICKEL(<50-80μ" > OVER TIN(<60-120μ" >)  
 GOLD PLATING: 3μ", 6μ", 15μ", 30μ", 50μ"  
 SHIELDING: 0.2-0.24mm THICKNESS COPPER ALLOY WITH NICKEL(<50-100μ" > PLATED

Storage: -40℃~85℃ Relative Humidity<70%  
 Operating: 0℃~70℃



### ELECTRICAL SPECIFICATIONS AT 25 ° C

Insertion Loss dB max	Return Loss dB min		Crosstalk(db TYP)	Common Mode Rejection (dB TYP)	Hipot(vrms)
	1-125MHz	1-30MHz 30- 80MHz			
-1.2	-18	-18+20log(f/30MHz)	-30	-30	1500/0.5mA OR 2250DC/0.1mA

"B" with the company code

Series of products: 60:Double deck RJ45 connector + transformer series(In sidelong footprint); 59:Double deck RJ45 connector + transformer series(In vertical footprint);50: Single RJ45 + transformer series;52/53/55/56 LED/56/57/58: Ordinary RJ45 series;DX: that strip line series; 40: Conversion said  
 Connectivity: 80: Series that UK; 91: Automotive connector public Block;92: Automotive connector another Block; 93: HDMI the head;94: HDMI mother Block; 95: SMT series; 96: BMS for switches

Family code (sequence id):1-99

Type of product code: 0: GigaBit RJ45 transformer; F: 100Base RJ45 transformer; V:for no transformer RJ45 products; E: Series for board-to-board code

Number of magnetic ring

The No. of circuit

B N (Z) G X - M - A B C D - E H I

Product definition LOGO: 1 - Press "B-TOP"2- No "B-TOP"; 3- Other companies LOGO

Product definition plastic materials: 1-PA66,2-PA46, 3-PA, 4-PA6, 5-PBT, 6-ABS, 7-PA9T,8-PC,9-LCP

Pin definition of the product:F-Pin after; B-Pin back; C-No definition of the product

Electroplating product definition: gold-plated terminals(degrees after nickel plated): 1-F μ", 2-3 μ", 3-8 μ", 4-15 μ", 5-30 μ", 6-50 μ", 7-(NI-50 μ" Sn-80-120 μ" );

Product shielding definition: 0 - no shielding shell; 1 - without shielding shell shrapnel; 2 - shielding a shell shrapnel; 3 - a half-shield shell;

Products luminous definition: 0 - No LED; 1-Left Yellow Right Green; 2 - Left Green Right Yellow; 3 - Double Green; 4 - Double Yellow; 5 - LED straight for the pin; 6 - A special definition 7 - Single Linear LEDs

Products out port: 1-201" 2-202" 3-204" 4-204" 5-205" 6-206" 8-207" 9-101" 10-102" 0-104" 0-105 " 1-106" 1-108" 1-108B(R45) 1-108 UP101 1-108 UP102 1-108 UP104

**B-TOP® 东莞市博腾电子科技有限公司**  
 Dongguan BroadTop Electronic Technology Co., Ltd.

Designed

Checked

Approved

MATERIAL

SCALE

1.8:1

UNIT

mm

DESCRIPTION

BT 170A(GP8-170A POE TVS防雷)

FIRST ANGLE PROJECTION



TEL: 0769-38926198  
 FAX: 0769-38926199  
 Website: www.BtopTech.cn  
 www.BtopTech.com

MODEL NO.

REV.

V\_1.1