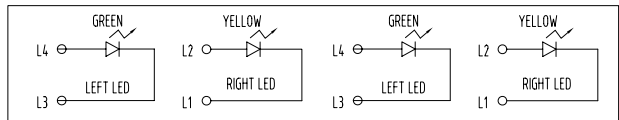


1

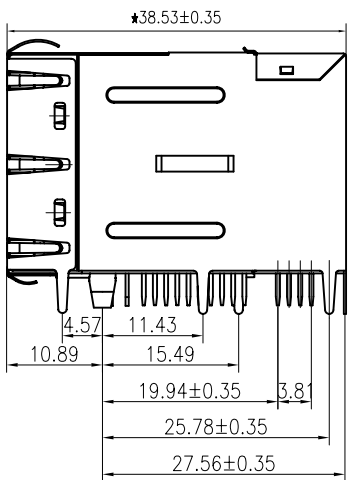
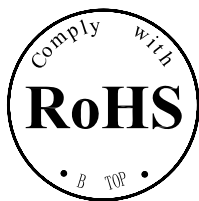
2



LED Specification

Standard LED Color	LED Wavelength	Forward (V MAX)	Typical (V TYP)	Luminous Intensity
Green	560-580 nm	2.5V	2.1-2.2V	9-25 MCD
Yellow	580-610 nm	2.5V	2.1-2.2V	9-30 MCD
Orange	580-610 nm	2.5V	2.1-2.2V	50-100 MCD

- LED intensity/wavelength measured with Photo Research PR-650 Colormeter
- With a forward current of 20 mA, Absolute Maximum Ratings (Ta=25°C)

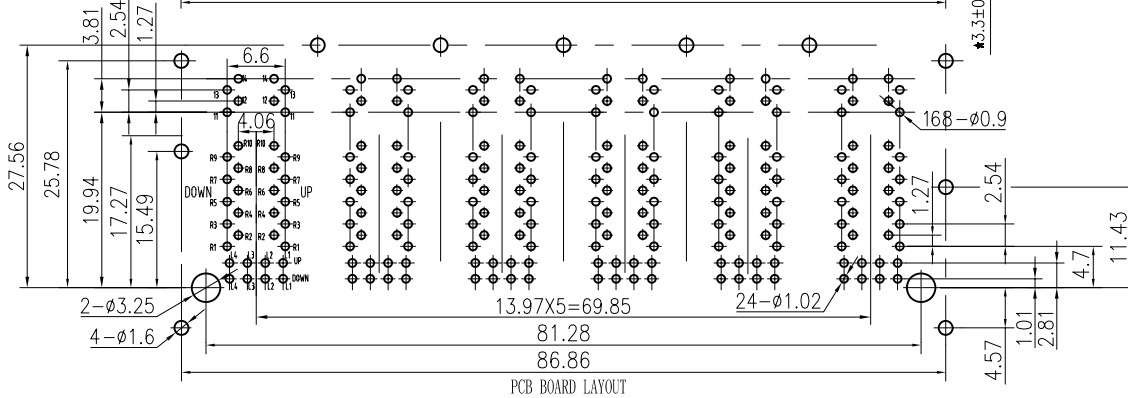
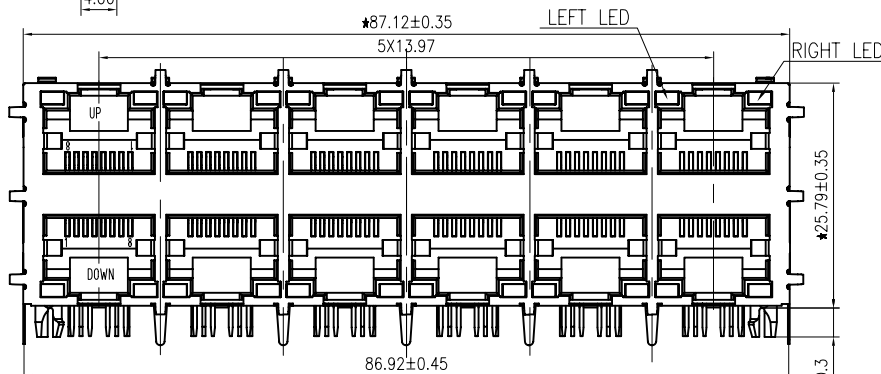
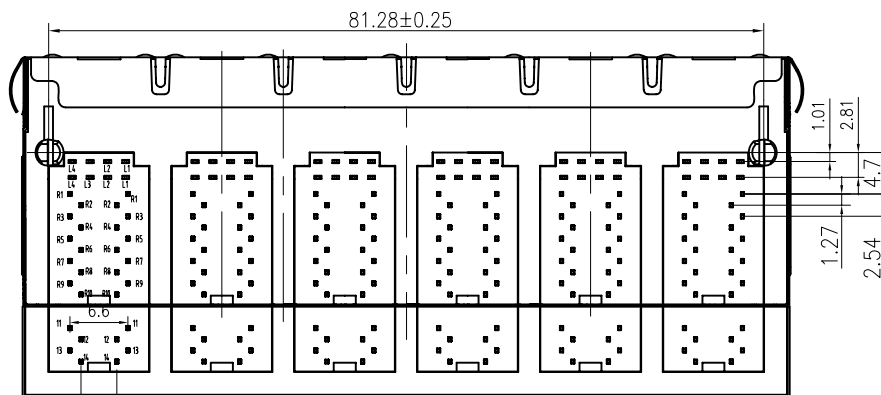


Specification:

1:TOLERANCES UNLESS OTHERWISE SPECIFIED :

- 0~10±0.15, 10~20±0.2, 20~40±0.25,
- 40~70±0.3, ≥70±0.4

2:JACK CAVITY CONFORMS TO FCC RULES AND REGULATIONS,PART 68 SUBPART F.



A

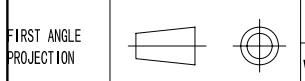
A

B

B

B-TOP 东莞市博腾电子科技有限公司
Dongguan BroadTop Electronic Technology Co., Ltd.

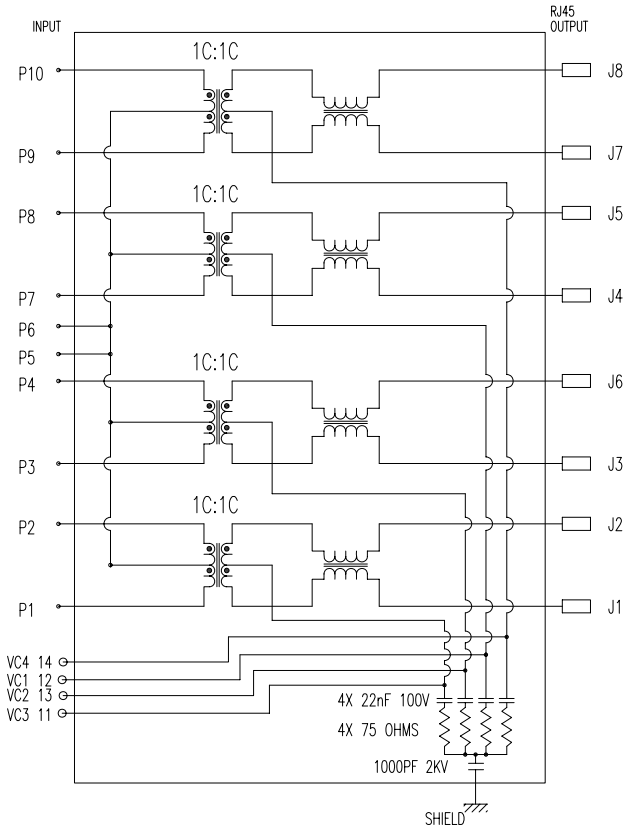
Designed	MATERIAL	DESCRIPTION	B59(169-81)GP8-189-6223-C12(2X6 G-Y LED EMI 4POE)
Checked	SCALE	UNIT	MODEL NO.
Approved	1:2:1	mm	REV.



TEL: 0769-38926198
FAX: 0769-38926199
Website: www.BtopTech.cn
www.BtopTech.com

1

2



DESCRIPTION

ELECTRICAL: RJ45 With internal Magnetics Connector
 Designe to support such applications as:Ethernet Equipment Complex,Switches,Routers,Firewalls,Servers and Hub
 Internal magnetics are 100% electrically tested for functionality per IEEE802.3af/at requirement
 RoHS peak wave solder temperature rating 235℃
 High performance for maximum EMI suppression
 350uH minmum OCL with 8mA bias current; DCR: 1.4 Ohms Max
 HIPOT:1.5KVrms MIN,60S; TURN RATIO:1:1±3%
 PoE rating:15W 350mA,48V;PoE+ rating:30W,750mA,57V;PoE++ rating:60W,1000mA,57V (For PoE Products only)
 JACK CAVITY CONFORMS TO FCC RULES AND REGULATIONS,PART 68 SUBPART F.

Surge Protection:
 TEC 6100-4-5(L-L 1kV Criteion B)
 TEC 6100-4-5(L-L 2kV Criteion C)
 TEC 6100-4-5(L-G 4kV Criteion B)
 TEC 6100-4-5(L-G 6kV Criteion C)

MECHANICAL: JACK CAVITY CONFORMS TO FCC RULES AND REGULATIONS,PART 68 SUBPART F.
 INSERTION FORCE: 8 CONTACTS--900g,10 CONTACTS--1050g
 RETENTION STRENGTH: 7.7Kgs BETWEEN JACK AND PLUG
 DURABILITY: 750 MATING CYCLES Mini

MATERIAL: HOUSING: 1) GLASS FILLED PA66 (UL 94V-0)
 2) GLASS FILLED PA46/PA6T/PA9T/LCP<265℃> (UL 94V-0)
 3) GLASS FILLED PBT/PA/ABS/PC (UL 94V-0)

SPRING WIRE: 0.25-0.35mm THICKNESS PHOSPHOR BRONZE ALLOY SELECTIVE GOLD PLATING OVER NICKEL<50-80μ">
 OVER TIN<60-120μ">

GOLD PLATING: 3μ", 6μ", 15μ", 30μ", 50μ"
 Signal pin: 0.35*0.42mm(OR:0.4*0.4mm) THICKNESS COPPER ALLOY WITH BOTTOM LAYER NI 30~50U" OVER BRIGHT TIN 60~120U"

SHIELDING: 0.2-0.24mm THICKNESS COPPER ALLOY WITH NICKEL<50-100μ"> PLATED

Storage: -40℃~85℃ Relative Humidity<70%

Operating: 0℃~70℃



ELECTRICAL SPECIFICATIONS AT 25 ° C

Insertion Loss dB max	Return Loss dB min		Crosstalk(db TYP)	Common Mode Rejection (dB TYP)	Hipot(vrms)
	1-125MHz	30- 80MHz			
-1.2	-18	-18+20log(f/30MHz)	-30	-30	1500/0.5mA OR 2250DC/0.1mA

"B" with the company code

Series of products: 60:Double deck RJ45 connector + transformer series(In sidelong footprint); 59:Double deck RJ45 connector + transformer series(In vertical footprint); 50: Single RJ45 + transformer series; 52/53/55/56 LED; 56/57/59: Ordinary RJ45 series; 0K: that strip line series; 40: Conversion said

Connectivity : 80: Series that UK; 91: Automotive connector public Block; 92: Automotive connector mother Block; 93: HDMI the head; 94: HDMI mother Block; 95: SWT series; 96: HIS for switches

Family code (sequence id) :1-99

Type of product code: G: Gigabit RJ45 transformer; F: 100Base RJ45 transformer; V: for no transformer RJ45 products; W: Series for board-to-board code

Number of magnetic ring

The No. of circuit

Product definition LOGO: 1 - Press "B-TOP"; 2 - No "B-TOP"; 3 - Other companies LOGO

Product definition plastic materials: 1-PA66, 2-PA46, 3-PA, 4-PA6, 5-PBT, 6-ABS, 7-PA9T, 8-PC, 9-LCP

Pin definition of the product: F-Pin after; B-Pin back; C- No definition of the product

Electroplating product definition: gold-plated terminals(degree after nickel plated): 1-F; 2-G; 3-H; 4-I; 5-J; 6-K; 7-L; 8-M; 9-N; 10-O; 11-P; 12-Q; 13-R; 14-S; 15-T; 16-U; 17-V; 18-W; 19-X; 20-Y; 21-Z

Product shielding definition: 0 - no shielding shell; 1 - without shielding shell shrapnet; 2 - shielding a shell shrapnet; 3 - a half-shield shell;

Products Luminous definition: 0 - No LED; 1 - Left Yellow Right Green; 2 - Left Green Right Yellow; 3 - Double Green; 4 - Double Yellow; 5 - LED straight for the pin; 6 - A special definition; 7 - Single linear LEDs

Products out port: 1-2X1 2-2X2 3-2X4 4-2X8 5-2X16 6-2X32 7-2X64 8-2X128 9-2X256 10-2X512 11-2X1024 12-2X2048 13-2X4096 14-2X8192 15-2X16384 16-2X32768 17-2X65536 18-2X131072 19-2X262144 20-2X524288 21-2X1048576 22-2X2097152 23-2X4194304 24-2X8388608 25-2X16777216 26-2X33554432 27-2X67108864 28-2X134217728 29-2X268435456 30-2X536870912 31-2X1073741824 32-2X2147483648 33-2X4294967296 34-2X8589934592 35-2X17179869184 36-2X34359738368 37-2X68719476736 38-2X137438953472 39-2X274877914944 40-2X549755829888 41-2X1099511659776 42-2X2199023319552 43-2X4398046639104 44-2X8796093278208 45-2X17592186556416 46-2X35184373112832 47-2X70368746225664 48-2X140737492451296 49-2X281474984902592 50-2X56294996980512 51-2X1125899939600256 52-2X2251799879200512 53-2X4503599758401024 54-2X9007199516802048 55-2X18014399033604096 56-2X36028798067208192 57-2X72057596134416384 58-2X144115192268832768 59-2X288230384537665536 60-2X576460769075331072 61-2X1152921538150662144 62-2X2305843076301324288 63-2X4611686152602648576 64-2X9223372305205297152 65-2X18446744610410594304 66-2X36893489220821188608 67-2X73786978441642373216 68-2X147573956883284746368 69-2X2951479137665749277312 70-2X590295827533149854624 71-2X118059165506629970928 72-2X23611833101325995184 73-2X4722366620265199136 74-2X9444733240530398304 75-2X188894664810671986608 76-2X377789329621343733216 77-2X755578659242687466432 78-2X151115731844537733264 79-2X30223146368907546528 80-2X60446292737815093056 81-2X120892585475630184112 82-2X24178517095126368224 83-2X48357034190252736448 84-2X96714068380505468896 85-2X193428136761010937792 86-2X386856273522021841536 87-2X773712547044043683072 88-2X15474250940888877466624 89-2X3094850188177775333248 90-2X6189700376355550666496 91-2X12379400752711111333312 92-2X2475880150542222666624 93-2X4951760301084444533248 94-2X990352060216888887066496 95-2X1980704120437777741332992 96-2X396140824087555550266594 97-2X7922816481751111105331184 98-2X1584563283502222210666368 99-2X3169126567004444421333736 100-2X6338253134008888842667472

B-TOP® 东莞市博腾电子科技有限公司
 Dongguan BroadTop Electronic Technology Co., Ltd.

Designed
 Checked
 Approved

MATERIAL
 SCALE 1.8:1 UNIT mm MODEL NO.

DESCRIPTION
 BT GP8-189 4POE

FIRST ANGLE PROJECTION
 TEL: 0769-38926198
 FAX: 0769-38926199
 Website: www.BtopTech.cn
 www.BtopTech.com

REV.
 V_1.0