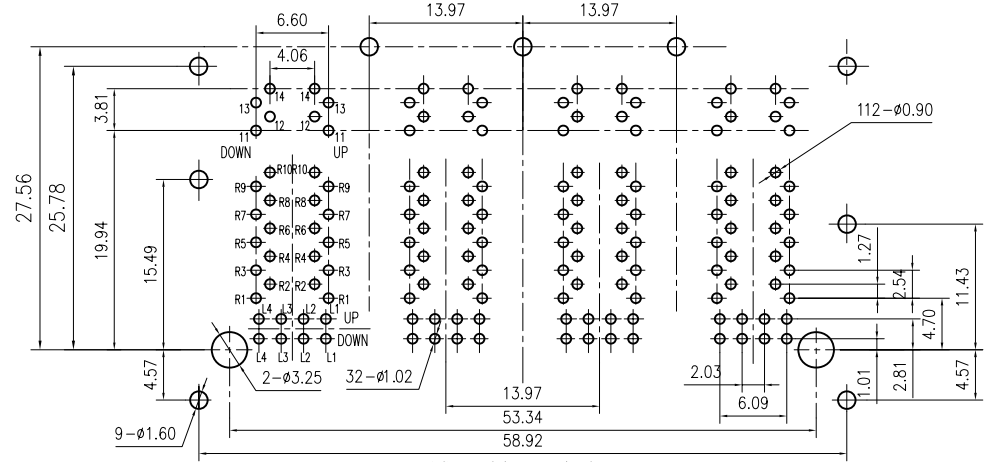


1

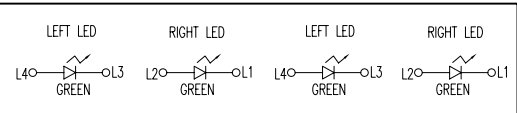
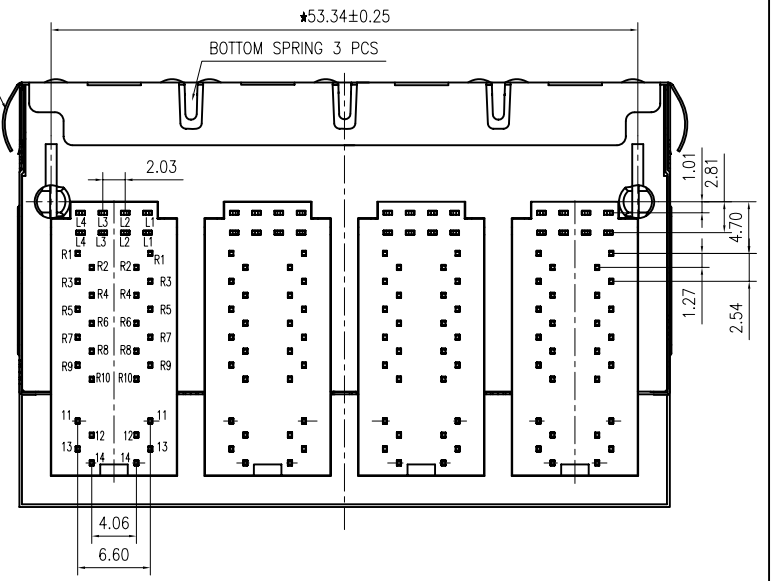
2



PCB BOARD LAYOUT

SIDE SPRING 9 PCS

BOTTOM SPRING 3 PCS



LED Specification

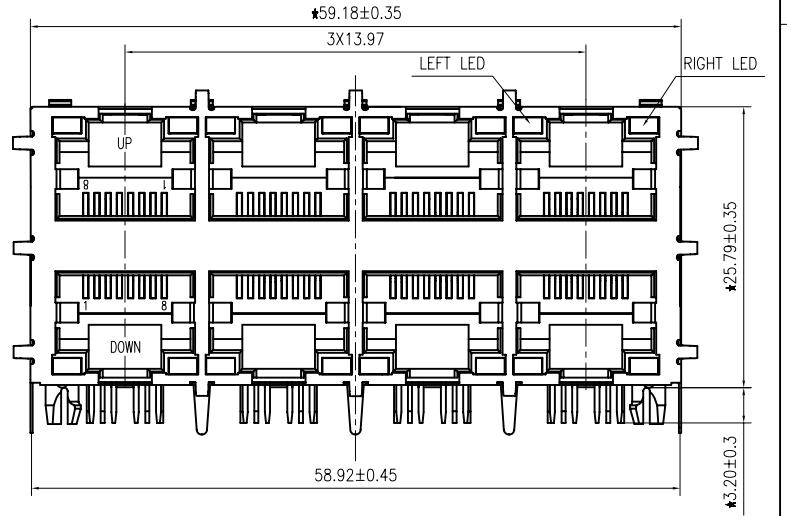
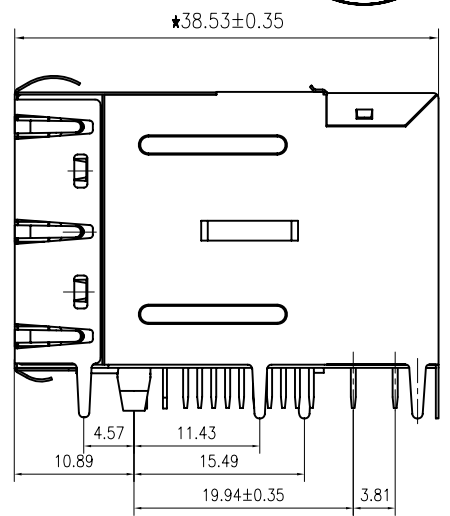
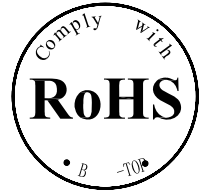
Standard LED Color	LED Wavelength	Forward (V MAX)	Typical (V TYP)	Luminous Intensity
Green	560-580 nm	2.5V	2.1-2.2V	9-25 MCD
Yellow	580-610 nm	2.5V	2.1-2.2V	9-30 MCD
Orange	580-610 nm	2.5V	2.1-2.2V	50-100 MCD

- LED intensity/wavelength measured with Photo Research PR-650 Colormeter
- With a forward current of 20 mA, Absolute Maximum Ratings (Ta=25°C)

1:TOLERANCES UNLESS OTHERWISE SPECIFIED :

- 0~10±0.15, 10~20±0.2, 20~40±0.25,
- 40~70±0.3, >70±0.4

2:JACK CAVITY CONFORMS TO FCC RULES AND REGULATIONS,PART 68 SUBPART F.



A

A

B

B

B-TOP® 东莞市博腾电子科技有限公司
Dongguan BroadTop Electronic Technology Co., Ltd.

Designed

MATERIAL

DESCRIPTION

B59(118-97)GP8-70-4323-C12((2X4 4POE EMI G-G LED)

Checked

SCALE

1.5:1

UNIT

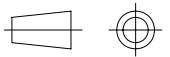
mm

MODEL NO.

REV.

1.1

FIRST ANGLE PROJECTION



TEL: 0769-38926198
FAX: 0769-38926199

Website: www.BtopTech.cn
www.BtopTech.com

0769-38926198
0769-38926199
www.BtopTech.cn
www.BtopTech.com

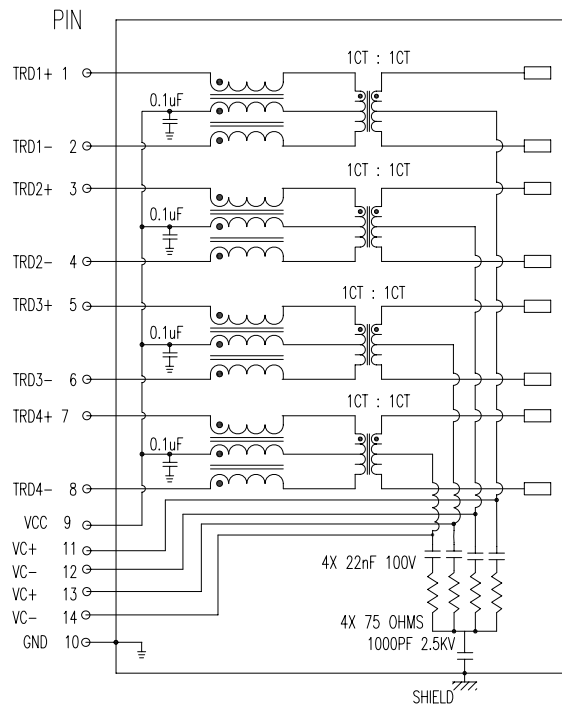
20180118

1

2

A

A



RJ45
OUTPUT
1 TRP1+
2 TRP1-
3 TRP2+
6 TRP2-
4 TRP3+
5 TRP3-
7 TRP4+
8 TRP4-

DESCRIPTION

ELECTRICAL: RJ45 With internal Magnetics Connector
 Designe to support such applications as:Ethernet Equipment Complex,Switches,Routers,Firewalls,Servers and Hub
 Internal magnetics are 100% electrically tested for functionality per IEEE802.3af/at requirement
 RoHS peak wave solder temperature rating 235^o
 High performance for maximum EMI suppression
 350uH minmum OCL with 8mA bias current; DCR: 1.4 Ohms Max
 HIPOT:1.5KVrms MIN,60S; TURN RATIO:1:1±3%
 PoE rating:15W 350mA,48V;PoE+ rating:30W,750mA,57V;PoE++ rating:60W,1000mA,57V (For PoE Products only)
 JACK CAVITY CONFORMS TO FCC RULES AND REGULATIONS,PART 68 SUBPART F.

Surge Protection:

- TEC 6100-4-5(L-L 1kV Criteion B)
- TEC 6100-4-5(L-L 2kV Criteion C)
- TEC 6100-4-5(L-G 4kV Criteion B)
- TEC 6100-4-5(L-G 6kV Criteion C)

MECHANICAL: JACK CAVITY CONFORMS TO FCC RULES AND REGULATIONS,PART 68 SUBPART F.

INSERTION FORCE: 8 CONTACTS--900g,10 CONTACTS--1050g

RETENTION STRENGTH: 7.7Kgs BETWEEN JACK AND PLUG

DURABILITY: 750 MATING CYCLES Mini

- MATERIAL:** HOUSING:
- 1) GLASS FILLED PA66 (UL 94V-0)
 - 2) GLASS FILLED PA46/PA6T/PA9T/LCP<265^o> (UL 94V-0)
 - 3) GLASS FILLED PBT/PA/ABS/PC (UL 94V-0)

SPRING WIRE: 0.25-0.35mm THICKNESS PHOSPHOR BRONZE ALLOY SELECTIVE GOLD PLATING OVER NICKEL<50-80^u> OVER TIN<60-120^u>

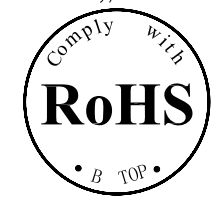
GOLD PLATING: 3^u, 6^u, 15^u, 30^u, 50^u

Signal pin: 0.35*0.42mm(OR:0.4*0.4mm) THICKNESS COPPER ALLOY WITH BOTTOM LAYER NI 30~50^u OVER BRIGHT TIN 60~120^u

SHIELDING: 0.2-0.24mm THICKNESS COPPER ALLOY WITH NICKEL<50-100^u> PLATED

Storage: -40^o~85^o Relative Humidity<70%

Operating: 0^o~70^o



ELECTRICAL SPECIFICATIONS AT 25°C

Insertion Loss dB max	Return Loss dB min		Crosstalk(db TYP)	Common Mode Rejection (dB TYP)	Hipot(vrms)
1-125MHz	1-30MHz	30- 80MHz	1- 100MHz	1-100MHz	
-1.2	-18	-18+20log(f/30MHz)	-30	-30	1000/0.5mA OR 2000DC/0.1mA

B N (Z) G X - M - A B C D - E H I

"B" with the company code
 Series of products: 60:Double deck RJ45 connector + transformer series(In sidelong footprint); 59:Double deck RJ45 connector + transformer series(In vertical footprint);50: Single RJ45 + transformer series;52/53/55/56 LED;56/57/58: Ordinary RJ45 series;DX: that strip line series; 40: Conversion said Connectivity ; 80: Series that like 90; Automotive connector public Block;92: Automotive connector mother Block; 93: HDMI the head;94: HDMI mother Block; 95: SMT series; 96: BHS for switches
Family code (sequence id):1-99
 Type of product code: G: Gigabit RJ45 transformer; E: 100Base RJ45 transformer; T:For no transformer RJ45 products; Y: Series for board-to-board code
Number of magnetic ring
 The No. of circuit

Product definition LOGO: 1 - Press "B-TOP";2- No "B-TOP"; 3- Other companies LOGO
 Product definition plastic materials: 1-PA66,2-PA46, 3-PA, 4-PA6, 5-PBT, 6-ABS, 7-PA9T,8-PC,9-LCP
 Pin definition of the product:F-Pin after, B-Pin back; C- No definition of the product
 Electroplating product definition: gold-plated terminals(degrees after nickel plated): 1-F, 2-3, 3-6, 4-4, 5, 5-50, 6-50, 7-NI-50, 8-50-120, 9-50, 10-50, 11-50, 12-50, 13-50, 14-50, 15-50, 16-50, 17-50, 18-50, 19-50, 20-50, 21-50, 22-50, 23-50, 24-50, 25-50, 26-50, 27-50, 28-50, 29-50, 30-50, 31-50, 32-50, 33-50, 34-50, 35-50, 36-50, 37-50, 38-50, 39-50, 40-50, 41-50, 42-50, 43-50, 44-50, 45-50, 46-50, 47-50, 48-50, 49-50, 50-50, 51-50, 52-50, 53-50, 54-50, 55-50, 56-50, 57-50, 58-50, 59-50, 60-50
 Product shielding definition: 0 - no shielding shell; 1 - without shielding shell shrapnet; 2 - shielding a shell shrapnet; 3 - a half-shield shell
 Products luminous definition:0 - No LED; 1 -Left Yellow Right Green; 2 - Left Green Right Yellow; 3 - Double Green; 4 - Double Yellow; 5 - LED straight for the pin; 6 - A special definition;7 - Single linear LEDs
 Products out port: 1-21, 2-22, 3-23, 4-24, 5-25, 6-26, 7-27, 8-28, 9-29, 10-30, 11-31, 12-32, 13-33, 14-34, 15-35, 16-36, 17-37, 18-38, 19-39, 20-40, 21-41, 22-42, 23-43, 24-44, 25-45, 26-46, 27-47, 28-48, 29-49, 30-50, 31-51, 32-52, 33-53, 34-54, 35-55, 36-56, 37-57, 38-58, 39-59, 40-60, 41-61, 42-62, 43-63, 44-64, 45-65, 46-66, 47-67, 48-68, 49-69, 50-70, 51-71, 52-72, 53-73, 54-74, 55-75, 56-76, 57-77, 58-78, 59-79, 60-80

B

B

B-TOP[®] 东莞博腾电子科技有限公司
 Dongguan BroadTop Electronic Technology Co., Ltd.

FIRST ANGLE PROJECTION
 TEL: 0769-38926198
 FAX: 0769-38926199
 Website: www.BtopTech.cn
 www.BtopTech.com

Designed		MATERIAL		DESCRIPTION	
Checked		SCALE	1.8:1	UNIT	mm
Approved				MODEL NO.	

BT GP8-70

REV. 1.1

20180118