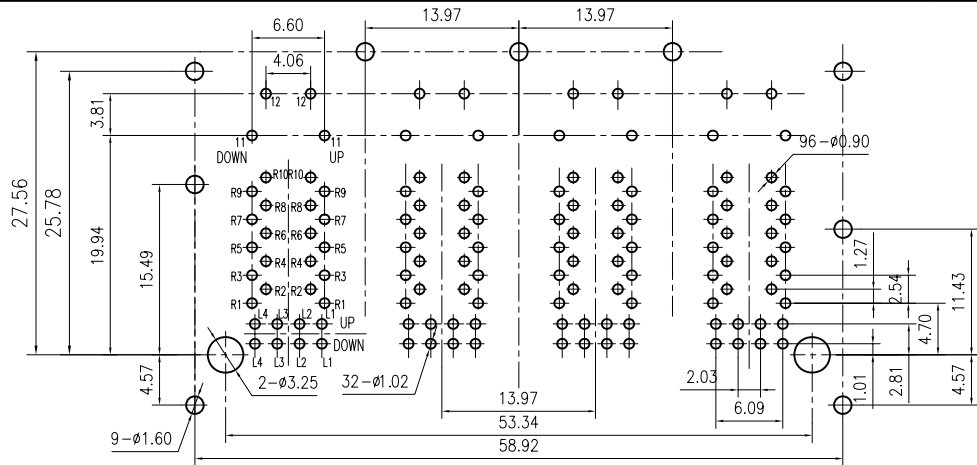


1

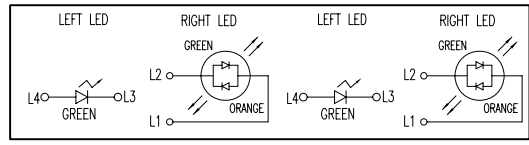
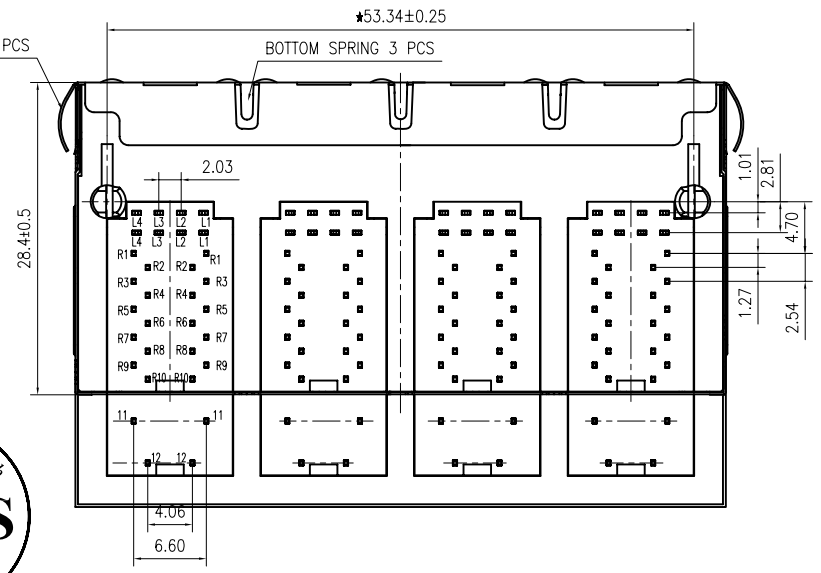
2



PCB BOARD LAYOUT

SIDE SPRING 9 PCS

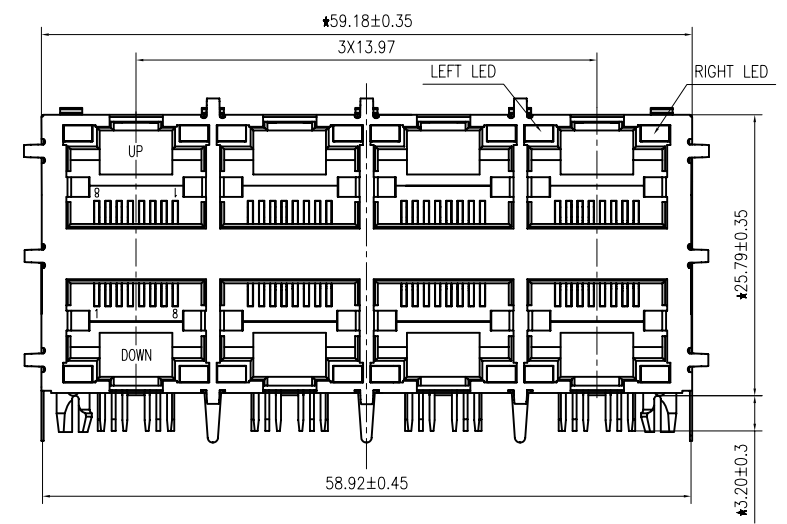
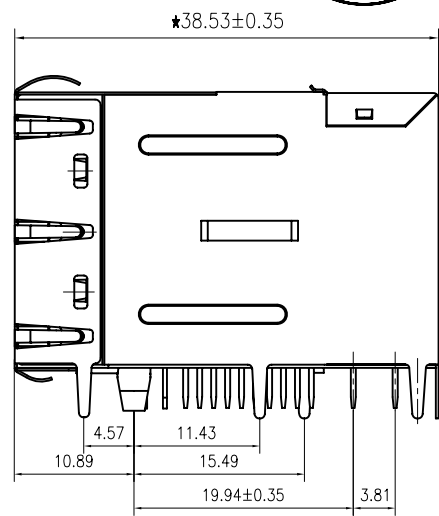
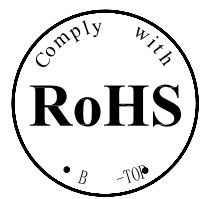
BOTTOM SPRING 3 PCS



LED Specification

Standard LED Color	LED Wavelength	Forward (V MAX)	Typical (V TYP)	Luminous Intensity
Green	560-580 nm	2.5V	2.1-2.2V	9-25 MCD
Yellow	580-610 nm	2.5V	2.1-2.2V	9-30 MCD
Orange	580-610 nm	2.5V	2.1-2.2V	50-100 MCD

- LED intensity/wavelength measured with Photo Research PR-650 Colormeter
  - With a forward current of 20 mA, Absolute Maximum Ratings (Ta=25°C)
- 1:TOLERANCES UNLESS OTHERWISE SPECIFIED :
- 0~10±0.15, 10~20±0.2, 20~40±0.25,
  - 40~70±0.3, >70±0.4
- 2:JACK CAVITY CONFORMS TO FCC RULES AND REGULATIONS,PART 68 SUBPART F.



**B-TOP**® 东莞市博腾电子科技有限公司  
Dongguan BroadTop Electronic Technology Co., Ltd.

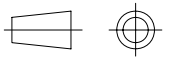
Designed  
Checked  
Approved

MATERIAL

DESCRIPTION

B59(118-82)GP8-139-4623-C12((2X4 POE EMI G-GO LED)

FIRST ANGLE PROJECTION



TEL: 0769-38926198  
FAX: 0769-38926199  
Website: www.BtopTech.cn  
www.BtopTech.com

SCALE

1.5:1

UNIT

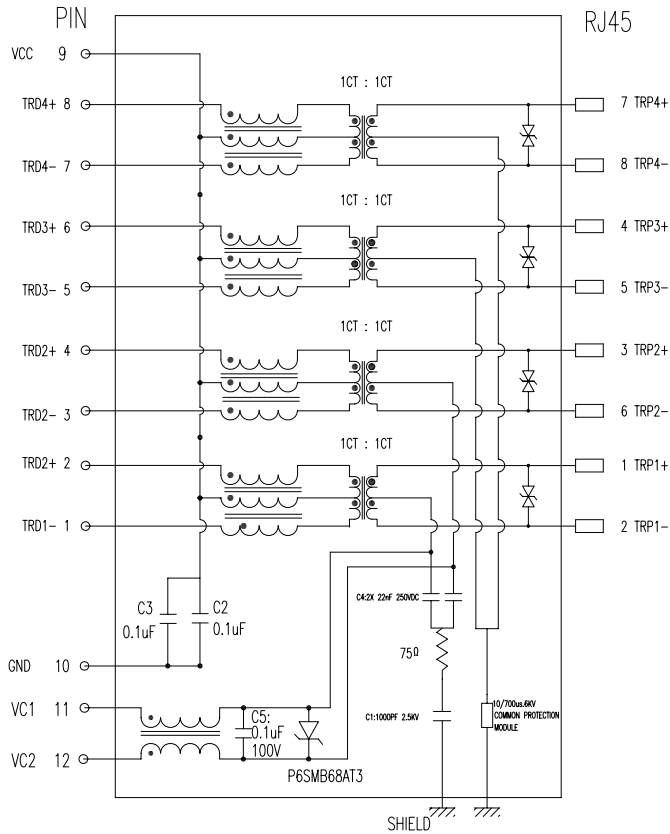
mm

MODEL NO.

REV.

1

2



### DESCRIPTION

ELECTRICAL: RJ45 With internal Magnetics Connector

Designde to support such applications as:Ethernet Equipment Complex,Switches,Routers,Firewalls,Servers and Hub Internal magnetics are 100% electrically tested for functionality per IEEE802.3af/at requirement

RoHS peak wave solder temperature rating 235℃

High performance for maximum EMI suppression

350uH minnum OCL with 8mA bias current; DCR: 1.4 Ohms Max

HIPOT:1.5KVrms MIN,60S; TURN RATIO:1:1±3%

PoE rating:15W 350mA,48V;PoE+ rating:30W,750mA,57V;PoE++ rating:60W,1000mA,57V (For PoE Products only)

JACK CAVITY CONFORMS TO FCC RULES AND REGULATIONS,PART 68 SUBPART F.

Surge Protection:

- TEC 6100-4-5(L-L 1kV Criteion B)
- TEC 6100-4-5(L-L 2kV Criteion C)
- TEC 6100-4-5(L-G 4kV Criteion B)
- TEC 6100-4-5(L-G 6kV Criteion C)

MECHANICAL: JACK CAVITY CONFORMS TO FCC RULES AND REGULATIONS,PART 68 SUBPART F.

INSERTION FORCE: 8 CONTACTS--900g,10 CONTACTS--1050g

RETENTION STRENGTH: 7.7Kgs BETWEEN JACK AND PLUG

DURABILITY: 750 MATING CYCLES Mini

MATERIAL:

- HOUSING: 1) GLASS FILLED PA66 (UL 94V-0)
- 2) GLASS FILLED PA46/PA6T/PA9T/LCP(265℃) (UL 94V-0)
- 3) GLASS FILLED PBT/PA/ABS/PC (UL 94V-0)

SPRING WIRE: 0.25-0.35mm THICKNESS PHOSPHOR BRONZE ALLOY SELECTIVE GOLD PLATING OVER NICKEL<50-80μ" > OVER TIN<60-120μ" >

GOLD PLATING: 3μ" , 6μ" , 15μ" , 30μ" , 50μ"

SHIELDING: 0.2-0.24mm THICKNESS COPPER ALLOY WITH NICKEL<50-100μ" > PLATED

Storage: -40℃~85℃ Relative Humidity<70%

Operating: -40℃~85℃



### ELECTRICAL SPECIFICATIONS AT 25 °C

Insertion Loss dB max	Return Loss dB min	Crosstalk(db TYP)	Common Mode Rejection (dB TYP)	Hipot(vrms)
1-125MHz	1-30MHz 30- 80MHz	1- 100MHz	1-100MHz	1500/0.5mA OR 2250DC/0.1mA
-1.2	-18 -18+20log(f/30MHz)	-30	-30	

B N (Z) G X - M - A B C D - E H I

"B" with the company code

Series of products: 60:Double deck RJ45 connector + transformer series(In side/long footprint); 59:Double deck RJ45 connector + transformer series(In vertical footprint);50: Single RJ45 + transformer series;52/53/55/56 LED/56/57/59: Ordinary RJ45 series;0X: that strip line series; 40: Conversion said

Connectivity: 80: Series that 8X; 91: Automotive connector public Block;92: HDMI Automotive connector mother Block; 93: HDMI the head;94: HDMI mother Block; 95: SMT series; 96: BHS for switches

Family code (sequence id):1-99

Type of product code: G: Gigabit RJ45 transformer; F: 100Base RJ45 transformer; Y: for no transformer RJ45 products; X: Series for board-to-board code

Number of magnetic ring

The No. of circuit

Product definition LOGO: 1 - Press "B-TOP";2- No "B-TOP"; 3- Other companies LOGO

Product definition plastic materials: 1-PA66,2-PA46, 3-PA, 4-PA6, 5-PBT, 6-ABS, 7-PA9T,8-PC,9-LCP

Pin definition of the product:F-Pin after; B-Pin back; C- No definition of the product

Electroplating product definition: gold-plated terminals(degree after nickel plated) 1-F: "2-3μ" ;3-G: "3-6μ" ;4-15μ" ;5-30μ" ;6-50μ" ;7-100-50μ" ;8-80-120μ" );

Product shielding definition: 0 - no shielding shell; 1 - without shielding shell shrapnet; 2 - shielding a shell shrapnet; 3 - a half-shield shell;

Products Luminous definition: 0 - No LED; 1 - Left Yellow Right Green; 2 - Left Green Right Yellow; 3 - Double Green; 4 - Double Yellow; 5 - LED straight for the pin; 6 - A special definition;7 - Single linear LEDs

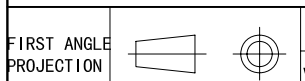
Products out part: 1-211 2-232 3-234 4-234 5-235 6-235 8-238 A-181 B-182 G-184 K-185 E-186 F-187 G-188 H-187 I-188 J-188 K-187 L-188 M-187 N-188 O-187 P-188 Q-187 R-188 S-187 T-188 U-187 V-188 W-187 X-188 Y-187 Z-188

**B-TOP®** 东莞博腾电子科技有限公司  
Dongguan BroadTop Electronic Technology Co., Ltd.

Designed  
Checked  
Approved

MATERIAL  
SCALE 1.8:1  
UNIT mm  
MODEL NO.

DESCRIPTION  
BT GP8-139  
REV.  
B80020013911



TEL: 0769-38926198  
FAX: 0769-38926199  
Website: www.BtopTech.cn