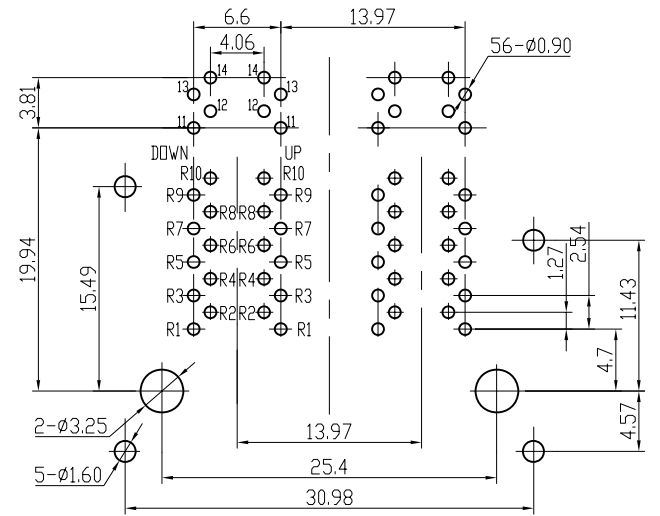
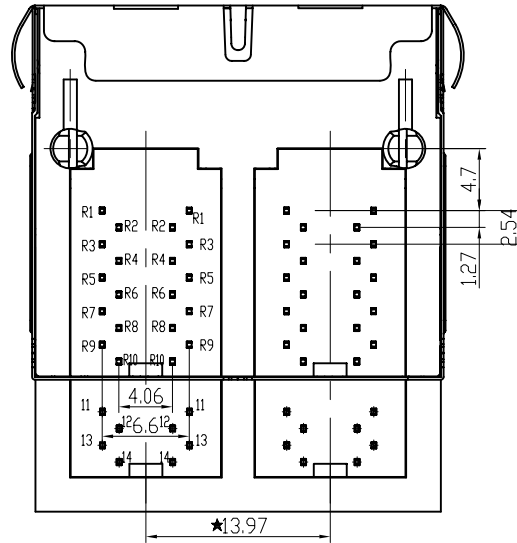
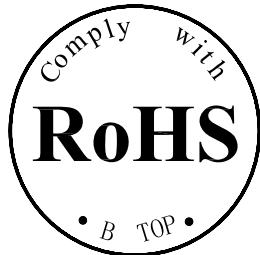
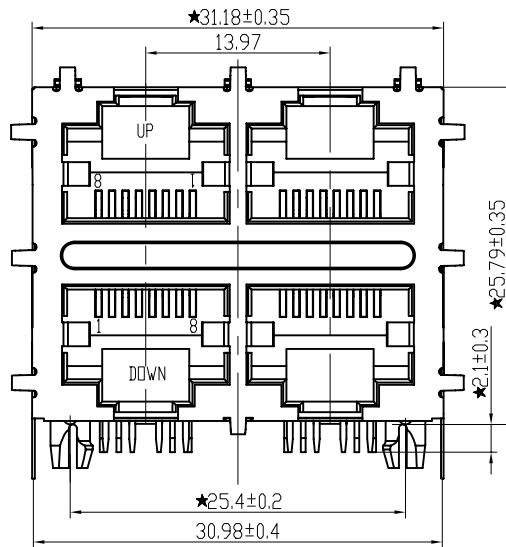
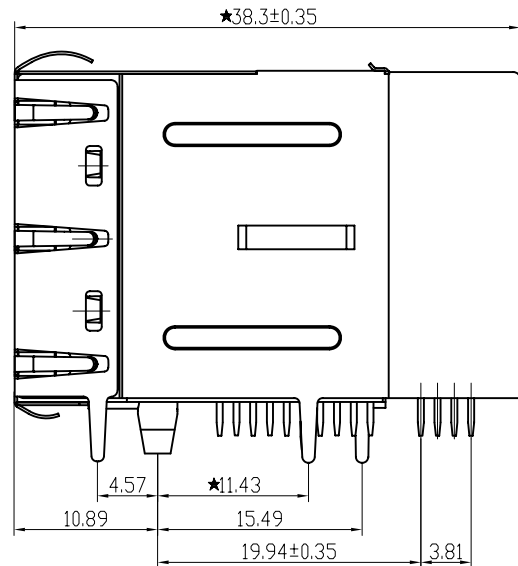


1

2



PCB BOARD LAYOUT



1:TOLERANCES UNLESS OTHERWISE SPECIFIED :
 0~10±0.15, 10~20±0.2, 20~40±0.25,
 40~70±0.3, ≥70±0.4
 2:JACK CAVITY CONFORMS TO FCC RULES AND REGULATIONS,PART 68 SUBPART F.

B-TOP® 东莞市博腾电子科技有限公司
 Dongguan BroadTop Electronic Technology Co., Ltd.

Designed

MATERIAL

DESCRIPTION

B59(318-64)GP8-70-2023-C92(2X2 4PDE EMI PIP)

Checked

SCALE

1.8:1

UNIT

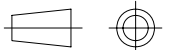
mm

MODEL NO.

REV.

1.1

FIRST ANGLE PROJECTION

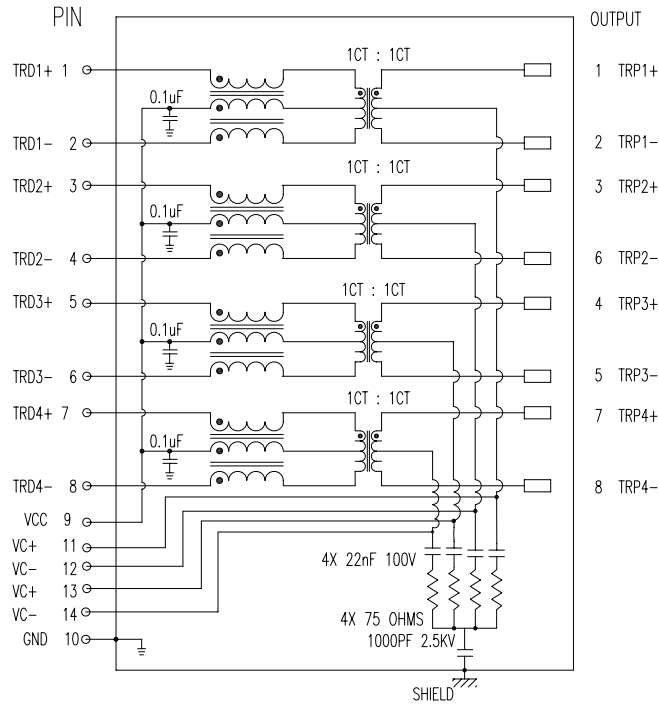


TEL: 0769-38926198
 FAX: 0769-38926199
 Website: www.BtopTech.com

20170502

1

2



DESCRIPTION

ELECTRICAL: RJ45 With internal Magnetics Connector
 Designe to support such applications as:Ethernet Equipment Complex,Switches,Routers,Firewalls,Servers and Hub
 Internal magnetics are 100% electrically tested for functionality per IEEE802.3af/at requirement
 RoHS peak wave solder temperature rating 235℃
 High performance for maximum EMI suppression
 350uH minmum OCL with 8mA bias current; DCR: 1.4 Ohms Max
 HIPOT:1.5KVrms MIN,60S; TURN RATIO:1:1±3%
 PoE rating:15W 350mA,48V;PoE+ rating:30W,750mA,57V;PoE++ rating:60W,1000mA,57V (For PoE Products only)
 JACK CAVITY CONFORMS TO FCC RULES AND REGULATIONS,PART 68 SUBPART F.

Surge Protection:

- TEC 6100-4-5(L-L 1kV Criteion B)
- TEC 6100-4-5(L-L 2kV Criteion C)
- TEC 6100-4-5(L-G 4kV Criteion B)
- TEC 6100-4-5(L-G 6kV Criteion C)

MECHANICAL: JACK CAVITY CONFORMS TO FCC RULES AND REGULATIONS,PART 68 SUBPART F.

- INSERTION FORCE: 8 CONTACTS--900g,10 CONTACTS--1050g
- RETENTION STRENGTH: 7.7Kgs BETWEEN JACK AND PLUG
- DURABILITY: 750 MATING CYCLES Mini
- MATERIAL:** HOUSING: 1) GLASS FILLED PA66 (UL 94V-0)
 2) GLASS FILLED PA46/PA6T/PA9T/LCP<265℃> (UL 94V-0)
 3) GLASS FILLED PBT/PA/ABS/PC (UL 94V-0)

SPRING WIRE: 0.25-0.35mm THICKNESS PHOSPHOR BRONZE ALLOY SELECTIVE GOLD PLATING OVER NICKEL<50-80μ"> OVER TIN<60-120μ">

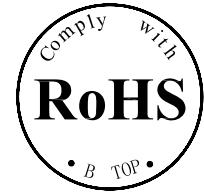
GOLD PLATING: 3μ", 6μ", 15μ", 30μ", 50μ"

Signal pin: 0.35*0.42mm(OR:0.4*0.4mm) THICKNESS COPPER ALLOY WITH BOTTOM LAYER NI 30~50" OVER BRIGHT TIN 60~120"

SHIELDING: 0.2-0.24mm THICKNESS COPPER ALLOY WITH NICKEL<50-100μ"> PLATED

Storage: -40℃~85℃ Relative Humidity<70%

Operating: 0℃~70℃



ELECTRICAL SPECIFICATIONS AT 25 °C

Insertion Loss dB max	Return Loss dB min		Crosstalk(db TYP)	Common Mode Rejection (dB TYP)	Hipot(vrms)
	1-30MHz	30- 80MHz			
1-125MHz	1-30MHz	30- 80MHz	1- 100MHz	1-100MHz	1500/0.5mA OR 2250DC/0.1mA
-1.2	-18	-18+20log(f/30MHz)	-30	-30	

B N (Z) G X - M - A B C D - E H I

"B" with the company code

Series of products: 60:Double deck RJ45 connector + transformer series(In sidelong footprint); 59:Double deck RJ45 connector + transformer series(In vertical footprint);50: Single RJ45 + transformer series;52/53/55/56 LED/56/57/58: Ordinary RJ45 series;DX: that strip line series; 40: Conversion said

Connectivity : 80: Series that like 91; Automotive connector public Block; 92: Automotive connector mother Block; 93: HMM1 the head;94: HMM1 mother Block; 95: SMT series; 96: BHS for switches

Family code (sequence id):1-99

Type of product code: G: Gigabit RJ45 transformer; F: 100Base RJ45 transformer; T:For no transformer RJ45 products; Y: Series for board-to-board code

Number of magnetic ring
 The No. of circuit

Product definition LOGO: 1 - Press "B-TOP";2- No "B-TOP"; 3- Other companies LOGO

Product definition plastic materials: 1-PA66,2-PA46, 3-PA, 4-PA6, 5-PBT, 6-ABS, 7-PA9T,8-PC,9-LCP

Pin definition of the product:F-Pin after, B-Pin back; C- No definition of the product

Electroplating product definition: gold-plated terminals(degrees after nickel plated): 1-F, 2-3, 3-6, 4-4, 5, 5-30, 6-50, 7-NI-50, 8-50-120, 9-

Product shielding definition: 0 - no shielding shell; 1 - without shielding shell shrapnet; 2 - shielding a shell shrapnet; 3 - a half-shield shell;

Products luminous definition: 0 - No LED; 1 - Left Yellow Right Green; 2 - Left Green Right Yellow; 3 - Double Green; 4 - Double Yellow; 5 - LED straight for the plr; 6 - A special definition;7 - Single linear LEDs

Products out port: 1-211, 2-202, 4-414, 5-208, 6-208, 6-408, 1-181, 0-182, 0-184, 0-185, 1-186, 1-187, 0-188, 0-189, 1-189, 1-190, 1-191, 1-192, 1-193, 1-194, 1-195, 1-196, 1-197, 1-198, 1-199

B-TOP® 东莞博腾电子科技有限公司
 Dongguan BroadTop Electronic Technology Co., Ltd.

TEL: 0769-38926198
 FAX: 0769-38926199
 Website: www.BtopTech.cn
 www.BtopTech.com

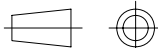
Designed
 Checked
 Approved

MATERIAL

DESCRIPTION

BT GP8-70

FIRST ANGLE PROJECTION



SCALE 1.8:1

UNIT mm

MODEL NO.

B80020007011

REV.