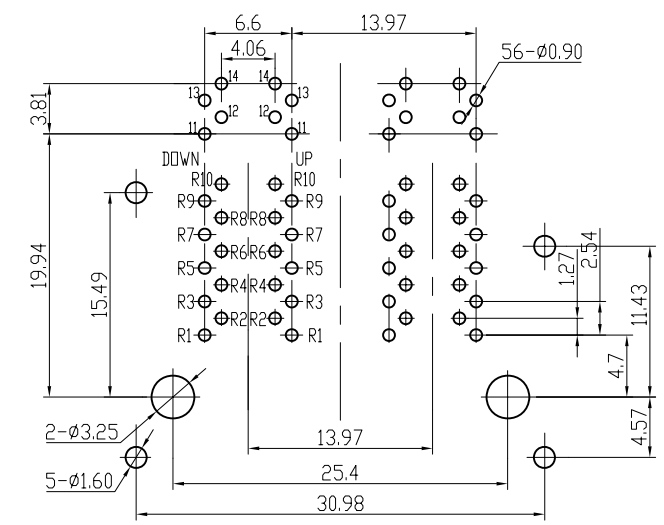
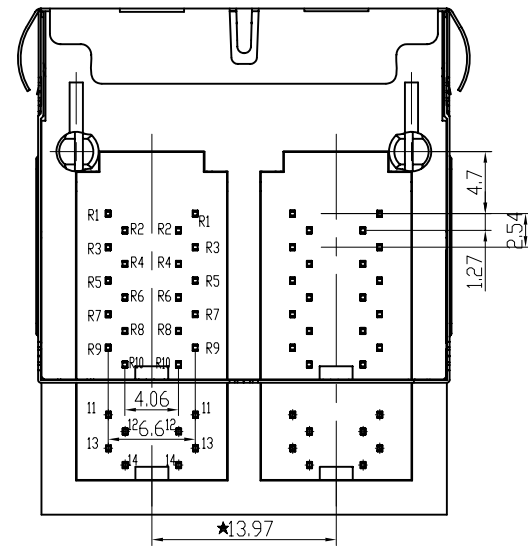
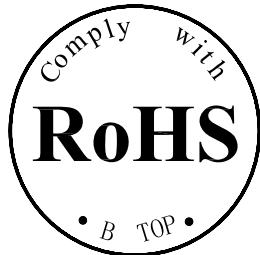
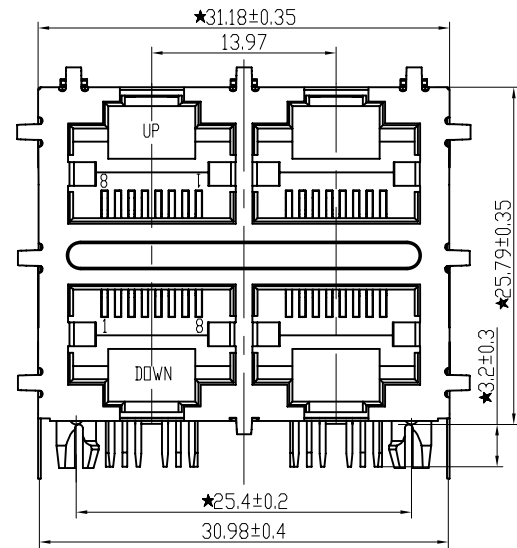
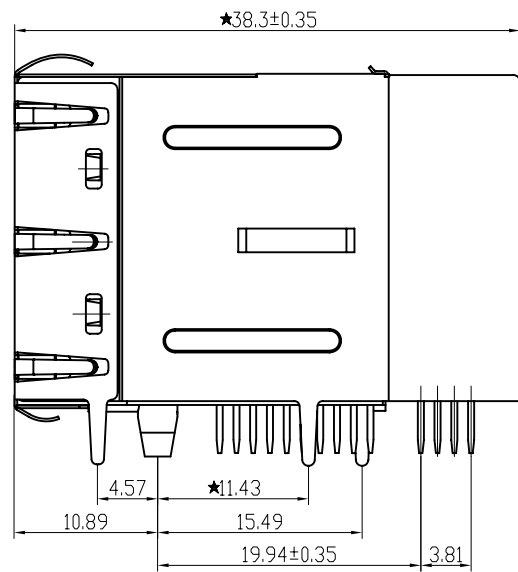


1

2



PCB BOARD LAYOUT



1:TOLERANCES UNLESS OTHERWISE SPECIFIED :
 0~10±0.15, 10~20±0.2, 20~40±0.25,
 40~70±0.3, >70±0.4
 2:JACK CAVITY CONFORMS TO FCC RULES AND REGULATIONS,PART 68 SUBPART F.

B-TOP® 东莞市博腾电子科技有限公司
 Dongguan BroadTop Electronic Technology Co., Ltd.

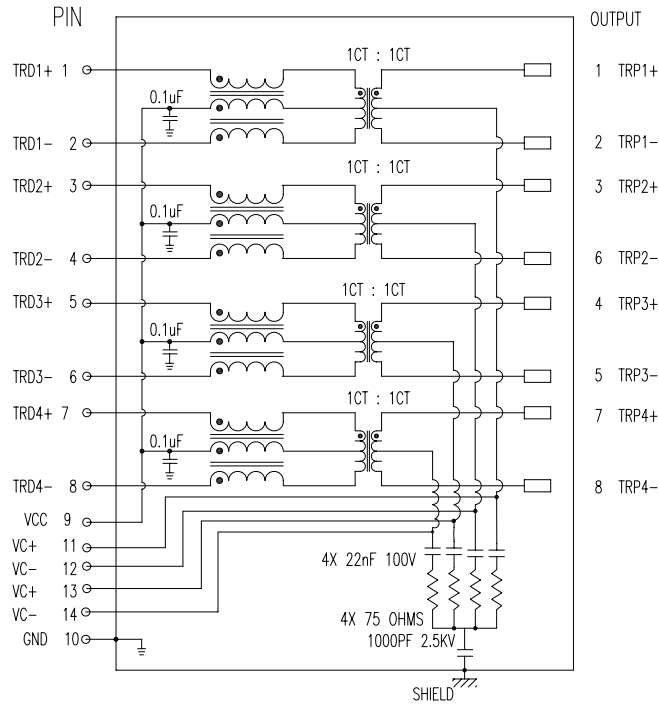
Designed	MATERIAL		DESCRIPTION	
Checked	SCALE 1.8:1		UNIT mm	MODEL NO.
Approved				REV. 1.1

FIRST ANGLE PROJECTION	TEL: 0769-38926198	0769-38926199
	FAX: 0769-38926199	
	www.BtopTech.com	
	Website www.BtopTech.com	

20170428

1

2



DESCRIPTION

ELECTRICAL: RJ45 With internal Magnetics Connector
 Designde to support such applications as:Ethernet Equipment Complex,Switches,Routers,Firewalls,Servers and Hub
 Internal magnetics are 100% electrically tested for functionality per IEEE802.3af/at requirement
 RoHS peak wave solder temperature rating 235℃
 High performance for maximum EMI suppression
 350uH minmum OCL with 8mA bias current; DCR: 1.4 Ohms Max
 HIPOT:1.5KVrms MIN,60S; TURN RATIO:1:1±3%
 PoE rating:15W 350mA,48V;PoE+ rating:30W,750mA,57V;PoE++ rating:60W,1000mA,57V (For PoE Products only)
 JACK CAVITY CONFORMS TO FCC RULES AND REGULATIONS,PART 68 SUBPART F.

Surge Protection:

- TEC 6100-4-5(L-L 1kV Criteion B)
- TEC 6100-4-5(L-L 2kV Criteion C)
- TEC 6100-4-5(L-G 4kV Criteion B)
- TEC 6100-4-5(L-G 6kV Criteion C)

MECHANICAL: JACK CAVITY CONFORMS TO FCC RULES AND REGULATIONS,PART 68 SUBPART F.

- INSERTION FORCE: 8 CONTACTS--900g,10 CONTACTS--1050g
- RETENTION STRENGTH: 7.7Kgs BETWEEN JACK AND PLUG
- DURABILITY: 750 MATING CYCLES Mini
- MATERIAL:** HOUSING: 1) GLASS FILLED PA66 (UL 94V-0)
 2) GLASS FILLED PA46/PA6T/PA9T/LCP<265℃> (UL 94V-0)
 3) GLASS FILLED PBT/PA/ABS/PC (UL 94V-0)

SPRING WIRE: 0.25-0.35mm THICKNESS PHOSPHOR BRONZE ALLOY SELECTIVE GOLD PLATING OVER NICKEL<50-80μ"> OVER TIN<60-120μ">

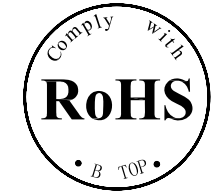
GOLD PLATING: 3μ", 6μ", 15μ", 30μ", 50μ"

Signal pin: 0.35*0.42mm(OR:0.4*0.4mm) THICKNESS COPPER ALLOY WITH BOTTOM LAYER NI 30~50" OVER BRIGHT TIN 60~120"

SHIELDING: 0.2-0.24mm THICKNESS COPPER ALLOY WITH NICKEL<50-100μ"> PLATED

Storage: -40℃~85℃ Relative Humidity<70%

Operating: 0℃~70℃



ELECTRICAL SPECIFICATIONS AT 25 °C

Insertion Loss dB max	Return Loss dB min		Crosstalk(db TYP)	Common Mode Rejection (dB TYP)	Hipot(vrms)
	1-30MHz	30- 80MHz			
1-125MHz	1-30MHz	30- 80MHz	1- 100MHz	1-100MHz	1500/0.5mA OR 2250DC/0.1mA
-1.2	-18	-18+20log(f/30MHz)	-30	-30	

B N (Z) G X - M - A B C D - E H I

"B" with the company code

Series of products: 60:Double deck RJ45 connector + transformer series(In sidelong footprint); 59:Double deck RJ45 connector + transformer series(In vertical footprint);50: Single RJ45 + transformer series;52/53/55/56 LED/56/57/58: Ordinary RJ45 series;DX: that strip line series; 40: Conversion said Connectivity ; 80: Series that like 91; Automotive connector public Block; 92: Automotive connector mother Block; 93: HDMI the head;94: HDMI mother Block; 95: SMT series; 96: BHS for switches

Family code (sequence id):1-99

Type of product code: G: Gigabit RJ45 transformer; F: 100Base RJ45 transformer; T:For no transformer RJ45 products; Y: Series for board-to-board code

Number of magnetic ring

The No. of circuit

Product definition LOGO: 1 - Press "B-TOP";2- No "B-TOP"; 3- Other companies LOGO

Product definition plastic materials: 1-PA66,2-PA46, 3-PA, 4-PA6, 5-PBT, 6-ABS, 7-PA9T,8-PC,9-LCP

Pin definition of the product:F-Pin after, B-Pin back; C- No definition of the product

Electroplating product definition: gold-plated terminals(degrees after nickel plated): 1-F, 2-3, 3-6, 4-15, 5-30, 6-50, 7-NI-50, 8-50-120, 9-

Product shielding definition: 0 - no shielding shell; 1 - without shielding shell shrapnet; 2 - shielding a shell shrapnet; 3 - a half-shield shell;

Products luminous definition: 0 - No LED; 1 - Left Yellow Right Green; 2 - Left Green Right Yellow; 3 - Double Green; 4 - Double Yellow; 5 - LED straight for the plr; 6 - A special definition;7 - Single linear LEDs

Products out port: 1-211, 2-202, 4-414, 5-208, 6-208, 6-408, 1-181, 0-182, 0-184, 0-185, 1-186, 1-187, 0-188, 0-189, 1-189, 1-190, 1-191, 1-192, 1-193, 1-194, 1-195, 1-196, 1-197, 1-198, 1-199, 1-200, 1-201, 1-202, 1-203, 1-204, 1-205, 1-206, 1-207, 1-208, 1-209, 1-210, 1-211, 1-212, 1-213, 1-214, 1-215, 1-216, 1-217, 1-218, 1-219, 1-220, 1-221, 1-222, 1-223, 1-224, 1-225, 1-226, 1-227, 1-228, 1-229, 1-230, 1-231, 1-232, 1-233, 1-234, 1-235, 1-236, 1-237, 1-238, 1-239, 1-240, 1-241, 1-242, 1-243, 1-244, 1-245, 1-246, 1-247, 1-248, 1-249, 1-250, 1-251, 1-252, 1-253, 1-254, 1-255, 1-256, 1-257, 1-258, 1-259, 1-260, 1-261, 1-262, 1-263, 1-264, 1-265, 1-266, 1-267, 1-268, 1-269, 1-270, 1-271, 1-272, 1-273, 1-274, 1-275, 1-276, 1-277, 1-278, 1-279, 1-280, 1-281, 1-282, 1-283, 1-284, 1-285, 1-286, 1-287, 1-288, 1-289, 1-290, 1-291, 1-292, 1-293, 1-294, 1-295, 1-296, 1-297, 1-298, 1-299, 1-300, 1-301, 1-302, 1-303, 1-304, 1-305, 1-306, 1-307, 1-308, 1-309, 1-310, 1-311, 1-312, 1-313, 1-314, 1-315, 1-316, 1-317, 1-318, 1-319, 1-320, 1-321, 1-322, 1-323, 1-324, 1-325, 1-326, 1-327, 1-328, 1-329, 1-330, 1-331, 1-332, 1-333, 1-334, 1-335, 1-336, 1-337, 1-338, 1-339, 1-340, 1-341, 1-342, 1-343, 1-344, 1-345, 1-346, 1-347, 1-348, 1-349, 1-350, 1-351, 1-352, 1-353, 1-354, 1-355, 1-356, 1-357, 1-358, 1-359, 1-360, 1-361, 1-362, 1-363, 1-364, 1-365, 1-366, 1-367, 1-368, 1-369, 1-370, 1-371, 1-372, 1-373, 1-374, 1-375, 1-376, 1-377, 1-378, 1-379, 1-380, 1-381, 1-382, 1-383, 1-384, 1-385, 1-386, 1-387, 1-388, 1-389, 1-390, 1-391, 1-392, 1-393, 1-394, 1-395, 1-396, 1-397, 1-398, 1-399, 1-400, 1-401, 1-402, 1-403, 1-404, 1-405, 1-406, 1-407, 1-408, 1-409, 1-410, 1-411, 1-412, 1-413, 1-414, 1-415, 1-416, 1-417, 1-418, 1-419, 1-420, 1-421, 1-422, 1-423, 1-424, 1-425, 1-426, 1-427, 1-428, 1-429, 1-430, 1-431, 1-432, 1-433, 1-434, 1-435, 1-436, 1-437, 1-438, 1-439, 1-440, 1-441, 1-442, 1-443, 1-444, 1-445, 1-446, 1-447, 1-448, 1-449, 1-450, 1-451, 1-452, 1-453, 1-454, 1-455, 1-456, 1-457, 1-458, 1-459, 1-460, 1-461, 1-462, 1-463, 1-464, 1-465, 1-466, 1-467, 1-468, 1-469, 1-470, 1-471, 1-472, 1-473, 1-474, 1-475, 1-476, 1-477, 1-478, 1-479, 1-480, 1-481, 1-482, 1-483, 1-484, 1-485, 1-486, 1-487, 1-488, 1-489, 1-490, 1-491, 1-492, 1-493, 1-494, 1-495, 1-496, 1-497, 1-498, 1-499, 1-500, 1-501, 1-502, 1-503, 1-504, 1-505, 1-506, 1-507, 1-508, 1-509, 1-510, 1-511, 1-512, 1-513, 1-514, 1-515, 1-516, 1-517, 1-518, 1-519, 1-520, 1-521, 1-522, 1-523, 1-524, 1-525, 1-526, 1-527, 1-528, 1-529, 1-530, 1-531, 1-532, 1-533, 1-534, 1-535, 1-536, 1-537, 1-538, 1-539, 1-540, 1-541, 1-542, 1-543, 1-544, 1-545, 1-546, 1-547, 1-548, 1-549, 1-550, 1-551, 1-552, 1-553, 1-554, 1-555, 1-556, 1-557, 1-558, 1-559, 1-560, 1-561, 1-562, 1-563, 1-564, 1-565, 1-566, 1-567, 1-568, 1-569, 1-570, 1-571, 1-572, 1-573, 1-574, 1-575, 1-576, 1-577, 1-578, 1-579, 1-580, 1-581, 1-582, 1-583, 1-584, 1-585, 1-586, 1-587, 1-588, 1-589, 1-590, 1-591, 1-592, 1-593, 1-594, 1-595, 1-596, 1-597, 1-598, 1-599, 1-600, 1-601, 1-602, 1-603, 1-604, 1-605, 1-606, 1-607, 1-608, 1-609, 1-610, 1-611, 1-612, 1-613, 1-614, 1-615, 1-616, 1-617, 1-618, 1-619, 1-620, 1-621, 1-622, 1-623, 1-624, 1-625, 1-626, 1-627, 1-628, 1-629, 1-630, 1-631, 1-632, 1-633, 1-634, 1-635, 1-636, 1-637, 1-638, 1-639, 1-640, 1-641, 1-642, 1-643, 1-644, 1-645, 1-646, 1-647, 1-648, 1-649, 1-650, 1-651, 1-652, 1-653, 1-654, 1-655, 1-656, 1-657, 1-658, 1-659, 1-660, 1-661, 1-662, 1-663, 1-664, 1-665, 1-666, 1-667, 1-668, 1-669, 1-670, 1-671, 1-672, 1-673, 1-674, 1-675, 1-676, 1-677, 1-678, 1-679, 1-680, 1-681, 1-682, 1-683, 1-684, 1-685, 1-686, 1-687, 1-688, 1-689, 1-690, 1-691, 1-692, 1-693, 1-694, 1-695, 1-696, 1-697, 1-698, 1-699, 1-700, 1-701, 1-702, 1-703, 1-704, 1-705, 1-706, 1-707, 1-708, 1-709, 1-710, 1-711, 1-712, 1-713, 1-714, 1-715, 1-716, 1-717, 1-718, 1-719, 1-720, 1-721, 1-722, 1-723, 1-724, 1-725, 1-726, 1-727, 1-728, 1-729, 1-730, 1-731, 1-732, 1-733, 1-734, 1-735, 1-736, 1-737, 1-738, 1-739, 1-740, 1-741, 1-742, 1-743, 1-744, 1-745, 1-746, 1-747, 1-748, 1-749, 1-750, 1-751, 1-752, 1-753, 1-754, 1-755, 1-756, 1-757, 1-758, 1-759, 1-760, 1-761, 1-762, 1-763, 1-764, 1-765, 1-766, 1-767, 1-768, 1-769, 1-770, 1-771, 1-772, 1-773, 1-774, 1-775, 1-776, 1-777, 1-778, 1-779, 1-780, 1-781, 1-782, 1-783, 1-784, 1-785, 1-786, 1-787, 1-788, 1-789, 1-790, 1-791, 1-792, 1-793, 1-794, 1-795, 1-796, 1-797, 1-798, 1-799, 1-800, 1-801, 1-802, 1-803, 1-804, 1-805, 1-806, 1-807, 1-808, 1-809, 1-810, 1-811, 1-812, 1-813, 1-814, 1-815, 1-816, 1-817, 1-818, 1-819, 1-820, 1-821, 1-822, 1-823, 1-824, 1-825, 1-826, 1-827, 1-828, 1-829, 1-830, 1-831, 1-832, 1-833, 1-834, 1-835, 1-836, 1-837, 1-838, 1-839, 1-840, 1-841, 1-842, 1-843, 1-844, 1-845, 1-846, 1-847, 1-848, 1-849, 1-850, 1-851, 1-852, 1-853, 1-854, 1-855, 1-856, 1-857, 1-858, 1-859, 1-860, 1-861, 1-862, 1-863, 1-864, 1-865, 1-866, 1-867, 1-868, 1-869, 1-870, 1-871, 1-872, 1-873, 1-874, 1-875, 1-876, 1-877, 1-878, 1-879, 1-880, 1-881, 1-882, 1-883, 1-884, 1-885, 1-886, 1-887, 1-888, 1-889, 1-890, 1-891, 1-892, 1-893, 1-894, 1-895, 1-896, 1-897, 1-898, 1-899, 1-900, 1-901, 1-902, 1-903, 1-904, 1-905, 1-906, 1-907, 1-908, 1-909, 1-910, 1-911, 1-912, 1-913, 1-914, 1-915, 1-916, 1-917, 1-918, 1-919, 1-920, 1-921, 1-922, 1-923, 1-924, 1-925, 1-926, 1-927, 1-928, 1-929, 1-930, 1-931, 1-932, 1-933, 1-934, 1-935, 1-936, 1-937, 1-938, 1-939, 1-940, 1-941, 1-942, 1-943, 1-944, 1-945, 1-946, 1-947, 1-948, 1-949, 1-950, 1-951, 1-952, 1-953, 1-954, 1-955, 1-956, 1-957, 1-958, 1-959, 1-960, 1-961, 1-962, 1-963, 1-964, 1-965, 1-966, 1-967, 1-968, 1-969, 1-970, 1-971, 1-972, 1-973, 1-974, 1-975, 1-976, 1-977, 1-978, 1-979, 1-980, 1-981, 1-982, 1-983, 1-984, 1-985, 1-986, 1-987, 1-988, 1-989, 1-990, 1-991, 1-992, 1-993, 1-994, 1-995, 1-996, 1-997, 1-998, 1-999, 1-1000, 1-1001, 1-1002, 1-1003, 1-1004, 1-1005, 1-1006, 1-1007, 1-1008, 1-1009, 1-1010, 1-1011, 1-1012, 1-1013, 1-1014, 1-1015, 1-1016, 1-1017, 1-1018, 1-1019, 1-1020, 1-1021, 1-1022, 1-1023, 1-1024, 1-1025, 1-1026, 1-1027, 1-1028, 1-1029, 1-1030, 1-1031, 1-1032, 1-1033, 1-1034, 1-1035, 1-1036, 1-1037, 1-1038, 1-1039, 1-1040, 1-1041, 1-1042, 1-1043, 1-1044, 1-1045, 1-1046, 1-1047, 1-1048, 1-1049, 1-1050, 1-1051, 1-1052, 1-1053, 1-1054, 1-1055, 1-1056, 1-1057, 1-1058, 1-1059, 1-1060, 1-1061, 1-1062, 1-1063, 1-1064, 1-1065, 1-1066, 1-1067, 1-1068, 1-1069, 1-1070, 1-1071, 1-1072, 1-1073, 1-1074, 1-1075, 1-1076, 1-1077, 1-1078, 1-1079, 1-1080, 1-1081, 1-1082, 1-1083, 1-1084, 1-1085, 1-1086, 1-1087, 1-1088, 1-1089, 1-1090, 1-1091, 1-1092, 1-1093, 1-1094, 1-1095, 1-1096, 1-1097, 1-1098, 1-1099, 1-1100, 1-1101, 1-1102, 1-1103, 1-1104, 1-1105, 1-1106, 1-1107, 1-1108, 1-1109, 1-1110, 1-1111, 1-1112, 1-1113, 1-1114, 1-1115, 1-1116, 1-1117, 1-1118, 1-1119, 1-1120, 1-1121, 1-1122, 1-1123, 1-1124, 1-1125, 1-1126, 1-1127, 1-1128, 1-1129, 1-1130, 1-1131, 1-1132, 1-1133, 1-1134, 1-1135, 1-1136, 1-1137, 1-1138, 1-1139, 1-1140, 1-1141, 1-1142, 1-1143, 1-1144, 1-1145, 1-1146, 1-1147, 1-1148, 1-1149, 1-1150, 1-1151, 1-1152, 1-1153, 1-1154, 1-1155, 1-1156, 1-1157, 1-1158, 1-1159, 1-1160, 1-1161, 1-1162, 1-1163, 1-1164, 1-1165, 1-1166, 1-1167, 1-1168, 1-1169, 1-1170, 1-1171, 1-1172, 1-1173, 1-1174, 1-1175, 1-1176, 1-1177, 1-1178, 1-1179, 1-1180, 1-1181, 1-1182, 1-1183, 1-1184, 1-1185, 1-1186, 1-1187, 1-1188, 1-1189, 1-1190, 1-1191, 1-1192, 1-1193, 1-1194, 1-1195, 1-1196, 1-1197, 1-1198, 1-1199, 1-1200, 1-1201, 1-1202, 1-1203, 1-1204, 1-1205, 1-1206, 1-1207, 1-1208, 1-1209, 1-1210, 1-1211, 1-1212, 1-1213, 1-1214, 1-1215, 1-1216, 1-1217, 1-1218, 1-1219, 1-1220, 1-1221, 1-1222, 1-1223, 1-1224, 1-1225, 1-1226, 1-1227, 1-1228, 1-1229, 1-1230, 1-1231, 1-1232, 1-1233, 1-1234, 1-1235, 1-1236, 1-1237, 1-1238, 1-1239, 1-1240, 1-1241, 1-1242, 1-1243, 1-1244, 1-1245, 1-1246, 1-1247, 1-1248, 1-1249, 1-1250, 1-1251, 1-1252, 1-1253, 1-1254, 1-1255, 1-1256, 1-1257, 1-1258, 1-1259, 1-1260, 1-1261, 1-1262, 1-1263, 1-1264, 1-1265, 1-1266, 1-1267, 1-1268, 1-1269, 1-1270, 1-1271, 1-1272, 1-1273, 1-1274, 1-1275, 1-1276, 1-1277, 1-1278, 1-1279, 1-1280, 1-1281, 1-1282, 1-1283, 1-1284, 1-1285, 1-1286, 1-1287, 1-1288, 1-1289, 1-1290, 1-1291, 1-1292, 1-1293, 1-1294, 1-1295, 1-1296, 1-1297, 1-1298, 1-1299, 1-1300, 1-1301, 1-1302, 1-1303, 1-1304, 1-1305, 1-1306, 1-1307, 1-1308, 1-1309, 1-1310, 1-1311, 1-1312, 1-1313, 1-1314, 1-1315, 1-1316, 1-1317, 1-1318, 1-1319, 1-1320, 1-1321, 1-1322, 1-1323, 1-1324, 1-1325, 1-1326, 1-1327, 1-1328, 1-1329, 1-1330, 1-1331, 1-1332, 1-1333, 1-1334, 1-1335, 1-1336, 1-1337, 1-1338, 1-1339, 1-1340, 1-1341, 1-1342, 1-1343, 1-1344, 1-1345, 1-1346, 1-1347, 1-1348, 1-1349, 1-1350, 1-1351, 1-1352, 1-1353, 1-1354, 1-1355, 1-1356, 1-1357, 1-1358, 1-1359, 1-1360, 1-1361, 1-1362, 1-1363, 1-1364, 1-1365, 1-1366, 1-1367, 1-1368, 1-1369, 1-1370, 1-1371, 1-1372, 1-1373, 1-1374, 1-1375, 1-1376, 1-1377, 1-1378, 1-1379, 1-1380, 1-1381, 1-1382, 1-1383, 1-1384, 1-1385, 1-1386, 1-1387, 1-1388, 1-1389, 1-1390, 1-1391, 1-1392, 1-1393, 1-1394, 1-1395, 1-1396, 1-1397, 1-1398, 1-1399, 1-1400, 1-1401, 1-1402, 1-1403, 1-1404, 1-1405, 1-1406, 1-1407, 1-1408, 1-1409, 1-1410, 1-1411, 1-1412, 1-1413, 1-1414, 1-1415, 1-1416, 1-1417, 1-1418, 1-1419, 1-1420, 1-1421, 1-1422, 1-1423, 1-1424, 1-1425, 1-1426, 1-1427, 1-1428, 1-1429, 1-1430, 1-1431, 1-1432, 1-1433, 1-1434, 1-1435, 1-1436, 1-1437, 1-1438, 1-1439, 1-1440, 1-1441, 1-1442, 1-1443, 1-1444, 1-1445, 1-1446, 1-1447, 1-1448, 1-1449, 1-1450, 1-1451, 1-1452, 1-1453, 1-1454, 1-1455,