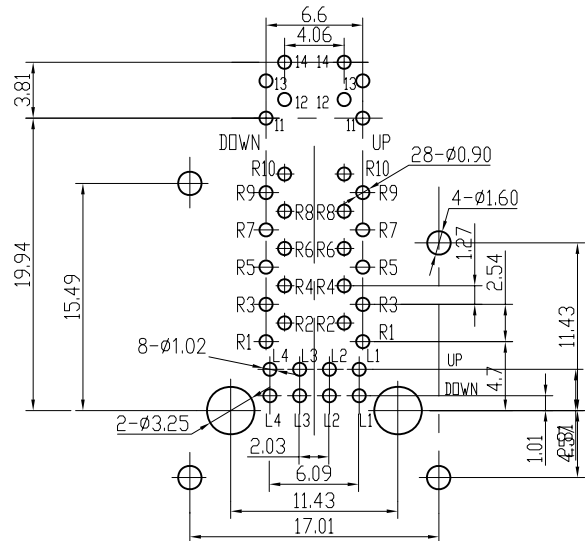
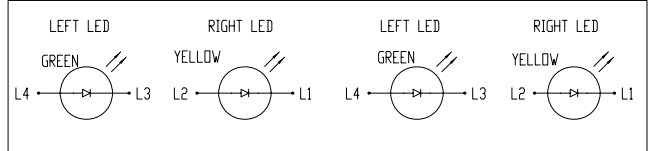
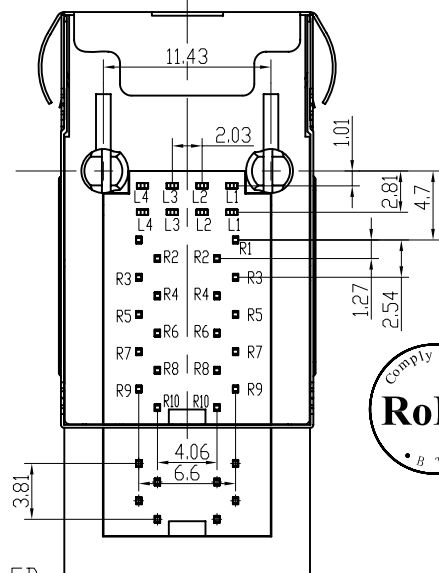


1

2

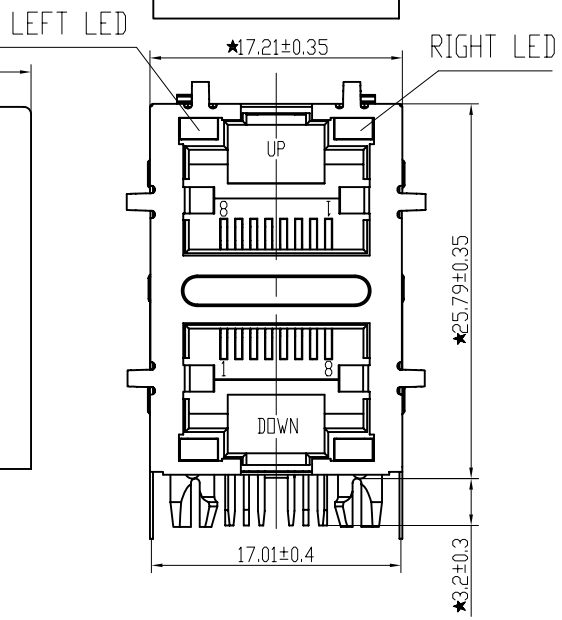
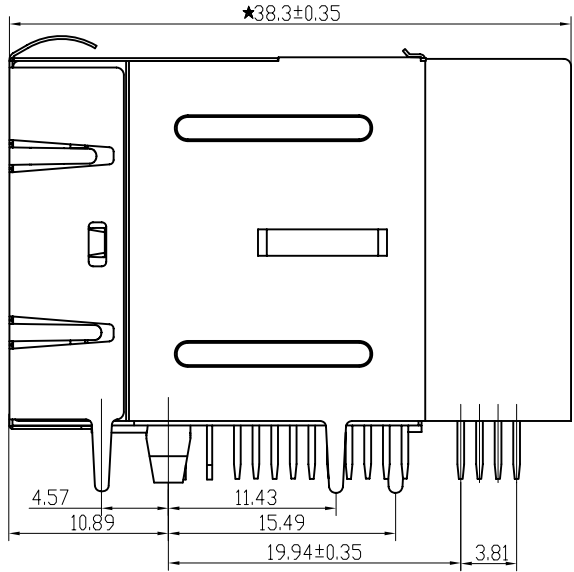


PCB BOARD LAYOUT



LED Specification

Standard LED Color	LED Wavelength	Forward (V MAX)	Typical (V TYP)	Luminous Intensity
Green	560-580 nm	2.5V	2.1-2.2V	9-25 MCD
Yellow	580-610 nm	2.5V	2.1-2.2V	9-30 MCD
Orange	580-610 nm	2.5V	2.1-2.2V	50-100 MCD

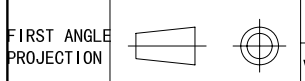


1. LED intensity/wavelength measured with Photo Research PR-650 Colormeter
 2. With a forward current of 20 mA, Absolute Maximum Ratings (Ta=25°C)

Specification:

- 1: TOLERANCES UNLESS OTHERWISE SPECIFIED :
 0~10±0.15, 10~20±0.2, 20~40±0.25,
 40~70±0.3, >70±0.4
- 2: JACK CAVITY CONFORMS TO FCC RULES AND REGULATIONS, PART 68 SUBPART F.

B-TOP® 东莞市博腾电子科技有限公司
 Dongguan BroadTop Electronic Technology Co., Ltd.



TEL: 0769-38926198
 FAX: 0769-38926199
 Website: www.BtopTech.com

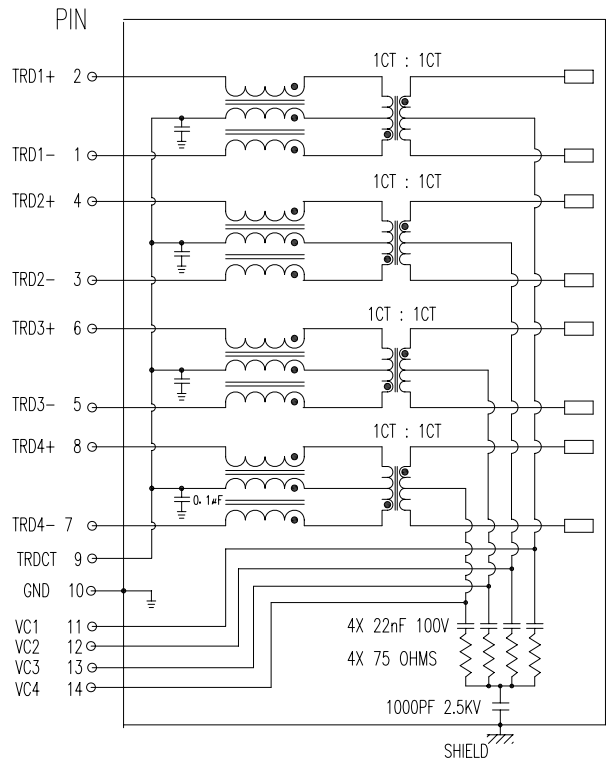
Designed	MATERIAL			DESCRIPTION		B59(46-42)GP8-214-1223-C12(2X1 4PDE G-Y LED)	REV.	
Checked	SCALE			2:1	UNIT			mm
Approved	MODEL NO.							

201810818

1

2

V1.1



- RJ45
- 1 TRP1+
 - 2 TRP1-
 - 3 TRP2+
 - 6 TRP2-
 - 4 TRP3+
 - 5 TRP3-
 - 7 TRP4+
 - 8 TRP4-

DESCRIPTION

ELECTRICAL: RJ45 With internal Magnetics Connector
 Designed to support such applications as: Ethernet Equipment, Complex, Switches, Routers, Firewalls, Servers and Hub
 Internal magnetics are 100% electrically tested for functionality per IEEE802.3af/at requirement
 RoHS peak wave solder temperature rating 235°C
 High performance for maximum EMI suppression
 350uH minimum OCL with 8mA bias current; DCR: 1.4 Ohms Max
 HIPOT: 1.5kVrms MIN, 60S; TURN RATIO: 1:1±3%
 PoE rating: 15W, 350mA, 48V; PoE+ rating: 30W, 750mA, 57V; PoE++ rating: 60W, 1000mA, 57V (For PoE Products only)
 JACK CAVITY CONFORMS TO FCC RULES AND REGULATIONS, PART 68 SUBPART F.

Surge Protection:

- TEC 6100-4-5(L-L 1kV Criteion B)
- TEC 6100-4-5(L-L 2kV Criteion C)
- TEC 6100-4-5(L-G 4kV Criteion B)
- TEC 6100-4-5(L-G 6kV Criteion C)

MECHANICAL:

JACK CAVITY CONFORMS TO FCC RULES AND REGULATIONS, PART 68 SUBPART F.
 INSERTION FORCE: 8 CONTACTS--900g, 10 CONTACTS--1050g
 RETENTION STRENGTH: 7.7Kgs BETWEEN JACK AND PLUG
 DURABILITY: 750 MATING CYCLES Mini

MATERIAL:

- HOUSING: 1) GLASS FILLED PA66 (UL 94V-0)
 2) GLASS FILLED PA46/PA6T/PA9T/LCP<265°C> (UL 94V-0)
 3) GLASS FILLED PBT/PA/ABS/PC (UL 94V-0)

SPRING WIRE: 0.25-0.35mm THICKNESS PHOSPHOR BRONZE ALLOY SELECTIVE GOLD PLATING OVER NICKEL (<50-80µ") OVER TIN (<60-120µ")

GOLD PLATING: 3µ", 6µ", 15µ", 30µ", 50µ"

Signal pin: 0.35*0.42mm(OR:0.4*0.4mm) THICKNESS COPPER ALLOY WITH BOTTOM LAYER NI 30~50µ" OVER BRIGHT TIN 60~120µ"

SHIELDING: 0.2-0.24mm THICKNESS COPPER ALLOY WITH NICKEL (<50-100µ") PLATED

Storage: -40°C~85°C Relative Humidity <70%

Operating: 0°C~70°C



ELECTRICAL SPECIFICATIONS AT 25°C

Insertion Loss dB max	Return Loss dB min		Crosstalk (dB TYP)	Common Mode Rejection (dB TYP)	Hipot (vrms)
	1-125MHz	30- 80MHz			
1-125MHz	1-30MHz	30- 80MHz	1- 100MHz	1-100MHz	
-1.2	-18	-18+20log(f/30MHz)	-30	-30	1000/0.5mA OR 2000DC/0.1mA

B N (Z) G X - M - A B C D - E H I

"B" with the company code
 Series of products: 60: Double deck RJ45 connector + transformer series (In sidelong footprint); 59: Double deck RJ45 connector + transformer series (In vertical footprint); 50: Single RJ45 + transformer series; 52/53/55/56 LED/56/57/58: Ordinary RJ45 series; 10X: that strip line series; 40: Conversion said
 Connectivity: 80: Series that like; 91: Automotive connector public Block; 92: Automotive connector mother Block; 93: HMM1 the head; 94: HMM1 mother Block; 95: SMT series; 96: BHS for switches
Family code (sequence id): 1-99
 Type of product code: G: Gigabit RJ45 transformer; E: 100Base RJ45 transformer; T: For no transformer RJ45 products; X: Series for board-to-board code
Number of magnetic ring
 The No. of circuit

Product definition LOGO: 1 - Press "B-TOP"; 2 - No "B-TOP"; 3 - Other companies LOGO
 Product definition plastic materials: 1-PA66, 2-PA46, 3-PA, 4-PA6, 5-PBT, 6-ABS, 7-PA9T, 8-PC, 9-LCP
 Pin definition of the product: F-Pin after, B-Pin back; C- No definition of the product
 Electroplating product definition: gold-plated terminals (degrees after nickel plated): 1-F; 2-J; 3-K; 4-L; 5-M; 6-N; 7-O; 8-P; 9-Q; 10-R; 11-S; 12-T; 13-U; 14-V; 15-W; 16-X; 17-Y; 18-Z
 Product shielding definition: 0 - no shielding shell; 1 - without shielding shell shrapnel; 2 - shielding a shell shrapnel; 3 - a half-shield shell
 Products luminous definition: 0 - No LED; 1 - Left Yellow Right Green; 2 - Left Green Right Yellow; 3 - Double Green; 4 - Double Yellow; 5 - LED straight for the pin; 6 - A special definition; 7 - Single linear LEDs
 Products out port: 1-011 2-022 4-044 5-055 6-066 8-088 1-101 1-102 1-103 1-104 1-105 1-106 1-107 1-108 1-109 1-110 1-111 1-112 1-113 1-114 1-115 1-116 1-117 1-118 1-119 1-120 1-121 1-122 1-123 1-124 1-125 1-126 1-127 1-128 1-129 1-130 1-131 1-132 1-133 1-134 1-135 1-136 1-137 1-138 1-139 1-140 1-141 1-142 1-143 1-144 1-145 1-146 1-147 1-148 1-149 1-150 1-151 1-152 1-153 1-154 1-155 1-156 1-157 1-158 1-159 1-160 1-161 1-162 1-163 1-164 1-165 1-166 1-167 1-168 1-169 1-170 1-171 1-172 1-173 1-174 1-175 1-176 1-177 1-178 1-179 1-180 1-181 1-182 1-183 1-184 1-185 1-186 1-187 1-188 1-189 1-190 1-191 1-192 1-193 1-194 1-195 1-196 1-197 1-198 1-199 1-200

B-TOP[®] 东莞博腾电子科技有限公司
 Dongguan BroadTop Electronic Technology Co., Ltd.

FIRST ANGLE PROJECTION

TEL: 0769-38926198
 FAX: 0769-38926199
 Website: www.BtopTech.com

Designed
 Checked
 Approved

MATERIAL	DESCRIPTION	REV.
SCALE 1.8:1 UNIT mm	BT GP8-214	1.1