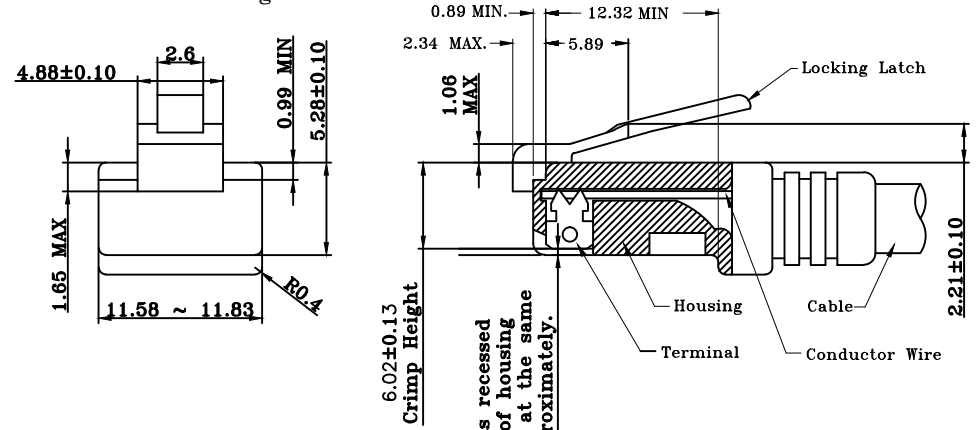


DESCRIPTION:
 RJ45 With internal Magnetics Connector
 Designed to support such applications as Ethernet Equipment Complex, Switches, Routers, Firewalls, Servers and Hub
 Internal magnetics are 100% electrically tested for functionality per IEEE802.3af/at requirement
 ELECTRICAL:
 RoHS peak wave solder temperature rating 235°C
 High performance for maximum EMI suppression
 JACK CAVITY CONFORMS TO FCC RULES AND REGULATIONS, PART 68 SUBPART F.
 INSERTION FORCE: 2 CONTACTS----350g 4 CONTACTS----500g
 6 CONTACTS----750g 8 CONTACTS----900g
 10 CONTACTS----1050g

MECHANICAL:
 RETENTION STRENGTH: 7.7Kgs BETWEEN JACK AND PLUG
 DURABILITY: 750 MATING CYCLES Mini
 Material
 1.Terminal Parts (Under plating : 40 μ" min. Nickel overall)
 1-1.RJ Terminal : Phosphor Bronze, Thickness=0.3mm
 Finish plating : Contact Area : Gold Flash
 1-2.Input Terminal : Brass, Thickness=0.4mm
 Finish plating : 100 μ" min. Bright Tin
 1-3.Case Terminal : Brass, Thickness=0.40mm
 Finish plating : 100 μ" min. Bright Tin
 2.Plastic Parts
 2-1.Housing : PA66, Black, <UL94V-0>
 2-2.Case : Phenolic Plastic, Black, <UL94V-0>
 2-3.Spacer : PA66, Black, <UL94V-0>
 2-4.RJ IM : PA66, Black, <UL94V-0>
 2-5.Front Nose : PA66, Black, <UL94V-0>
 2-6.Transfer Plastic : PBT, Black, <UL94V-0>
 3.Shield Parts
 3-1.Front Shield : Brass, Thickness=0.25mm, Finish : Ni 30u min;
 3-2.Back Shield : Brass, Thickness=0.25mm, Finish : Ni 30u min;

1.Recommend Plug Dim



All contacts recessed below top of housing and must be at the same height approximately.

All dimensions follow :
 FCC subpart F, 68,500, Figure (C)(2)(i)
 IEC 60603-7
 STANDARD MODULAR PLUG ASSEMBLY

NOTES : 1. Tolerance : PCB ±0.05mm
 Connector ±0.25mm
 2. Connector dimensions comply with FCC 68.5 dimension requirements

B-TOP 东莞市博腾电子科技有限公司
 Btop Tech Dongguan BtopTech Electronic Technology Co., Ltd.

DIM.	TOL.	UNIT:	mm
X	±0.30	SCALE:	1:1
X.X	±0.20	SHEET:	1 of 2
X.XX	±0.15	DWG. SIZE:	A4
X.XXX	±0.10	LAYER:	XXXX
GENERAL ANGLE: ±3°			

WEBSITE:	WWW.BTOPTECH.COM
TEL:	0769-38928198
FAX:	0769-38928199
DRAWN:	
CHECKED:	
APPROVED:	

TITLE:	B59(46-124)GP8-67G-1325-C12
PART NO.:	2X1Port 10/100/1000 BASE-T PoE W/ SHELL W/ LED

XA	NEW RELEASE	xxxx	Jason	2019-May-06
REV.	DESCRIPTION	ECN NO.	NAME	DATE

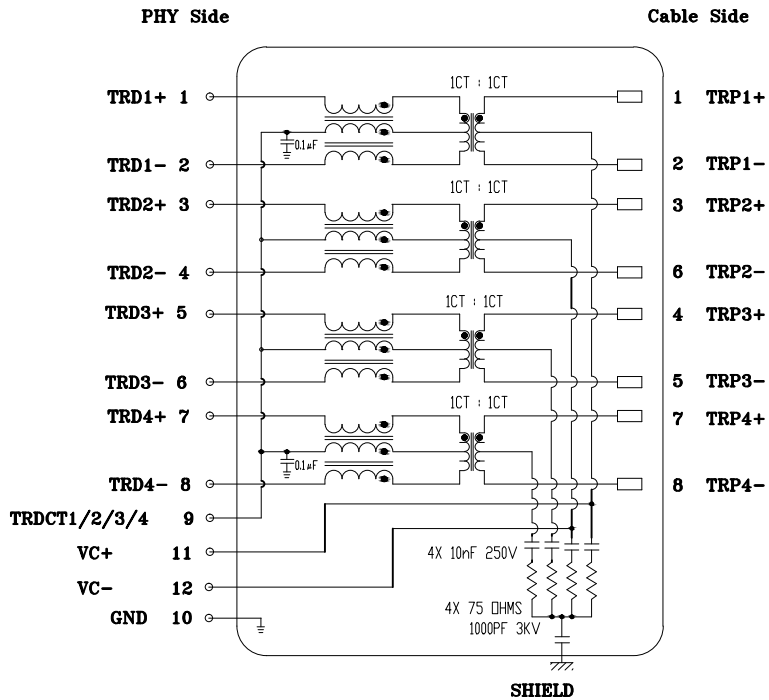
REVISIONS

Meets or exceeds IEEE 802.3 standard for 10/100/1000 Base-T
 350 uH minimum OCL with 8mA DC bias current
 Available with or without LEDs
 Minimum 1500Vrms isolation per IEEE802.3 requirement
 PoE rating: 720mA MAX @57VDC continuous
 Operating temperature -40°C to +85°C
 Storage temperature -40°C to +85°C

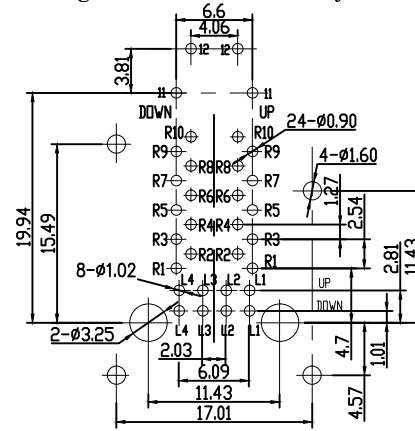
2.TRANSFORMER ELECTRICAL SPECIFICATIONS AT 25°C;

Insertion Loss (dB max.)	Return Loss (dB min.)				Cross talk (dB min.)			C.M.R. (dB min.)		Hi - pot (Vrms)
1-125MHz	1-30 MHz	30-60 MHz	60-80 MHz	80-100 MHz	1-30 MHz	30-60 MHz	60-100 MHz	10-60 MHz	60-100 MHz	60Hz/1min.
-1.2	-18	-16	-12	-10	-40	-35	-30	-40	-30	1500

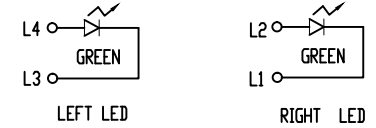
3.SCHEMATIC:



4.Pin Assignment For PCB Layout



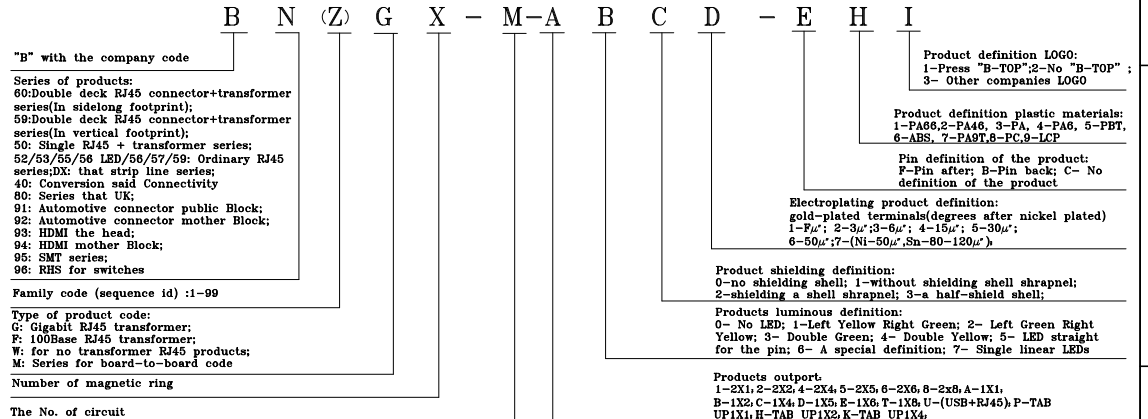
Suggested PCB Pad Layout
 Component Side View



Standard LED Color	LED Wavelength	Forward (V MAX)	Typical (V TYP)	Luminous Intensity
Green	560-580nm	2.5V	2.1-2.2V	9-25MCD
Yellow	580-610nm	2.5V	2.1-2.2V	9-30MCD

LED Specification

5.ORDER INFORMATION



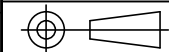
B-TOP 东莞市博腾电子科技有限公司

Btop Tech Dongguan BtopTech Electronic Technology Co., Ltd.

TITLE: B59(46-124)GP8-87G-1325-C12

PART NO.: 2X1Port 10/100/1000 BASE-T PoE W/ SHELL W/ LED

DIM. X X.X X.XX X.XXX
 TOL. ±0.30 ±0.20 ±0.15 ±0.10
 GENERAL ANGLE: ±3°



UNIT: mm
 SCALE: 1:1
 SHEET: 2 of 2
 DWG. SIZE: A4
 LAYER: XXXX

WEBSITE: WWW.BTOPTECH.COM
 TEL: 0769-38928198
 FAX: 0769-38928199

DRAWN:
 CHECKED:
 APPROVED:

REV.	DESCRIPTION	ECN NO.	NAME	DATE
XA	NEW RELEASE	XXXX	Jason	2019-May-06

REVISIONS