

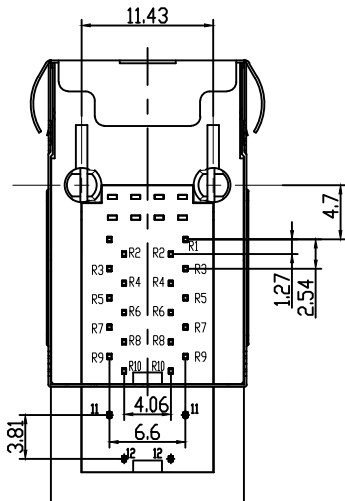
DESCRIPTION:
 RJ45 With internal Magnetics Connector
 Designed to support such applications as: Ethernet Equipment Complex, Switches, Routers, Firewalls, Servers and Hub
 Internal magnetics are 100% electrically tested for functionality per IEEE802.3af/at requirement

ELECTRICAL:
 RoHS peak wave solder temperature rating 235°C
 High performance for maximum EMI suppression
 JACK CAVITY CONFORMS TO FCC RULES AND REGULATIONS, PART 68 SUBPART F.

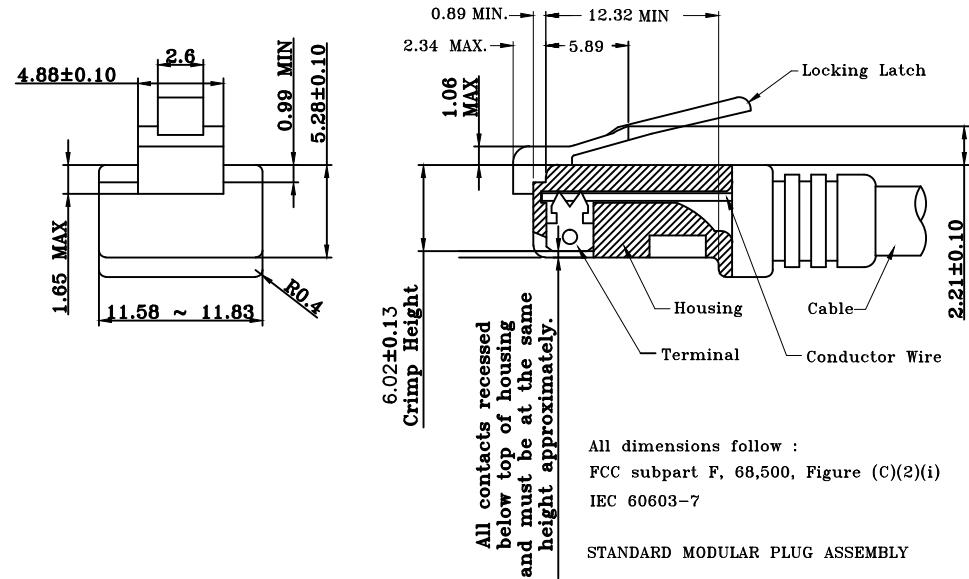
INSERTION FORCE:
 2 CONTACTS----350g 4 CONTACTS----500g
 6 CONTACTS----750g 8 CONTACTS----900g
 10 CONTACTS----1050g

MECHANICAL:
 RETENTION STRENGTH: 7.7Kgs BETWEEN JACK AND PLUG
 DURABILITY: 750 MATING CYCLES Mini
 HOUSING: 1) GLASS FILLED PA66 (UL 94V-0)
 2) GLASS FILLED PA46/LCP (UL 94V-0)
 3) GLASS FILLED PBT (UL 94V-0)

MATERIAL:
 SPRING WIRE:
 1) 0.2-0.45mm DIA PHOSPHOR BRONZE GOLD PLATING OVER NICKEL
 2) 0.2-0.35mm THICKNESS PHOSPHOR BRONZE ALLOY SELECTIVE GOLD PLATING OVER NICKEL;
 GOLD PLATING: 3μ", 6μ", 15μ", 30μ", 50μ"
 TOLERANCES UNLESS OTHERWISE SPECIFIED :
 0-10±0.15, 10-20±0.2, 20-40±0.25, 40-70±0.3, ≥70±0.4



1.Recommend Plug Dim



NOTES : 1. Tolerance : PCB ±0.05mm
 Connector ±0.25mm
 2. Connector dimensions comply with FCC 68.5 dimension requirements

B-TOP 东莞市博腾电子科技有限公司
 Btop Tech Dongguan BtopTech Electronic Technology Co., Ltd.

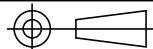
DIM. TOL.
 X ±0.30
 X.X ±0.20
 X.XX ±0.15
 X.XXX ±0.10
GENERAL ANGLE:
 ±3°

UNIT: mm
SCALE: 1:1
SHEET: 1 of 2
DWG. SIZE: A4
LAYER: XXXX

WEBSITE: WWW.BTOPTECH.COM
 WWW.BTOPTECH.CN
TEL: 0769-38928198
FAX: 0769-38928199

DRAWN:
CHECKED:
APPROVED:

TITLE: B59(46-116)GP8-232-1023-C12
PART NO.: 2X1Port 10/100/1000G BASE-T PoE+ W/ SHELL W/O LED



XA	NEW RELEASE	xxxx	Jason	2018-Jun-06
REV.	DESCRIPTION	ECN NO.	NAME	DATE

REVISIONS

Meets or exceeds IEEE 802.3 standard for 10/100/1000 Base-T
 350 uH minimum OCL with 18mA DC Bias current
 Available with or without LEDs
 Minimum 1500Vrms isolation per IEEE802.3 requirement
 DC Current/Voltage Rating-PoE+: 1000mA MAX @57VDC(Continuous)
 Operating temperature -40°C to +85°C
 Storage temperature -40°C to +85°C

4.Pin Assignment For PCB Layout



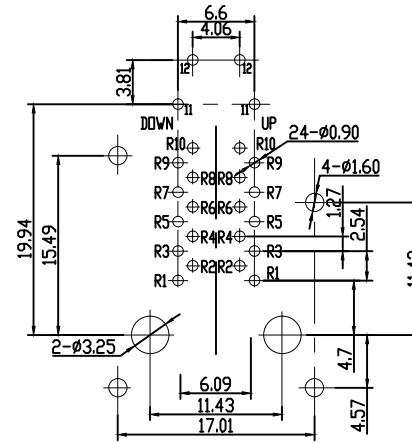
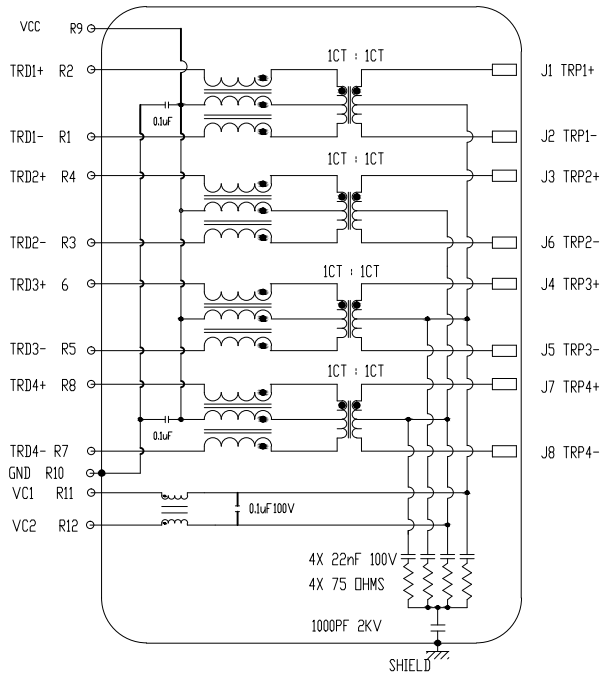
2.TRANSFORMER ELECTRICAL SPECIFICATIONS AT 25°C;

Insertion Loss (dB max.)	Return Loss (dB min.)				Cross talk (dB min.)				C.M.R. (dB min.)		Hi - pot (Vrms)
1-125MHz	1-30 MHz	30-60 MHz	60-80 MHz	80-100 MHz	1-30 MHz	30-60 MHz	60-100 MHz	10-60 MHz	60-100 MHz	60Hz/1min.	
-1.2	-18	-16	-12	-10	-40	-35	-30	-40	-30	1500	

3.SCHEMATIC:

PHY Side

Cable Side



Suggested PCB Pad Layout
Component Side View

5.ORDER INFORMATION

"B" with the company code

Series of products:
 60: Double deck RJ45 connector+transformer series(In sidelong footprint);
 59: Double deck RJ45 connector+transformer series(In vertical footprint);
 50: Single RJ45 + transformer series;
 52/53/55/56 LED/56/57/59: Ordinary RJ45 series;X: that strip line series;
 40: Conversion said Connectivity
 80: Series that UK;
 91: Automotive connector public Block;
 92: Automotive connector mother Block;
 93: HDMI the head;
 94: HDMI mother Block;
 95: SMT series;
 96: RHS for switches

Family code (sequence id) :1-99

Type of product code:
 G: Gigabit RJ45 transformer;
 F: 100Base RJ45 transformer;
 W: for no transformer RJ45 products;
 M: Series for board-to-board code

Number of magnetic ring

The No. of circuit

Product definition LOGO:
 1-Press "B-TOP";2-No "B-TOP"
 3- Other companies LOGO

Product definition plastic materials:
 1-PA66,2-PA46, 3-PA, 4-PA6, 5-PBT,
 6-ABS, 7-PA9T,8-PC,9-LCP

Pin definition of the product:
 P-Pin after; B-Pin back; C- No definition of the product

Electroplating product definition:
 gold-plated terminals(degrees after nickel plated)
 1-1µ; 2-3µ;3-6µ; 4-15µ; 5-30µ;
 6-50µ;7-(Ni-50µ,Sn-80-120µ)

Product shielding definition:
 0-no shielding shell; 1-without shielding shell shrapnel;
 2-shielding a shell shrapnel; 3-a half-shield shell;

Products luminous definition:
 0- No LED; 1-Left Yellow Right Green; 2- Left Green Right Yellow; 3- Double Green; 4- Double Yellow; 5- LED straight for the pin; 6- A special definition; 7- Single linear LEDs

Products outport.
 1-2X1,2-2X2,4-2X4,5-2X5,6-2X6,6-2x8,A-1X1,
 B-1X2,C-1X4,D-1X5,E-1X6,T-1X8,U-(USB+RJ45),P-TAB
 UP1X1,H-TAB UP1X2,K-TAB UP1X4;

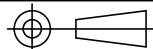
B-TOP 东莞市博腾电子科技有限公司
 Btop Tech Dongguan BtopTech Electronic Technology Co., Ltd.

DIM. TOL.
 X ±0.30
 X.X ±0.20
 X.XX ±0.15
 X.XXX ±0.10
 GENERAL ANGLE:
 ±3°

UNIT: mm
 SCALE: 1:1
 SHEET: 2 of 2
 DWG. SIZE: A4
 LAYER: XXXX

WEBSITE: WWW.BTOPTECH.COM
 WWW.BTOPTECH.CN
 TEL: 0769-38928198
 FAX: 0769-38928199
 DRAWN:
 CHECKED:
 APPROVED:

TITLE: B59(46-116)GP8-232-1023-C12
 PART NO.: 2X1Port 10/100/1000G BASE-T PoE+ W/ SHELL W/O LED



XA	NEW RELEASE	xxxx	Jason	2018-Jul-23
REV.	DESCRIPTION	ECN NO.	NAME	DATE

REVISIONS