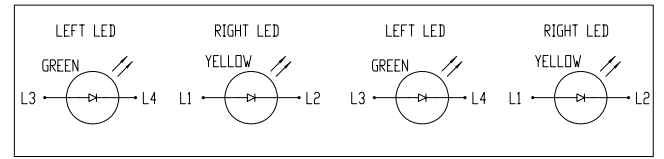
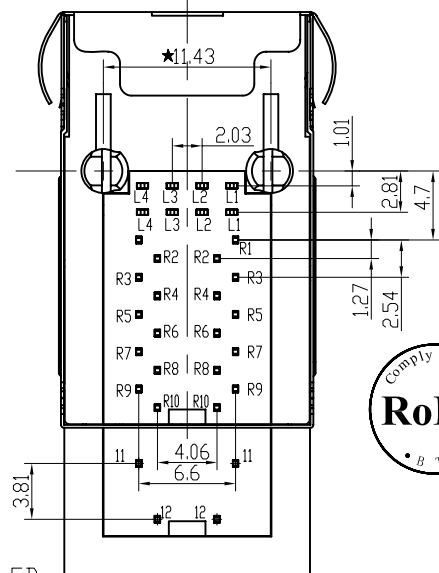
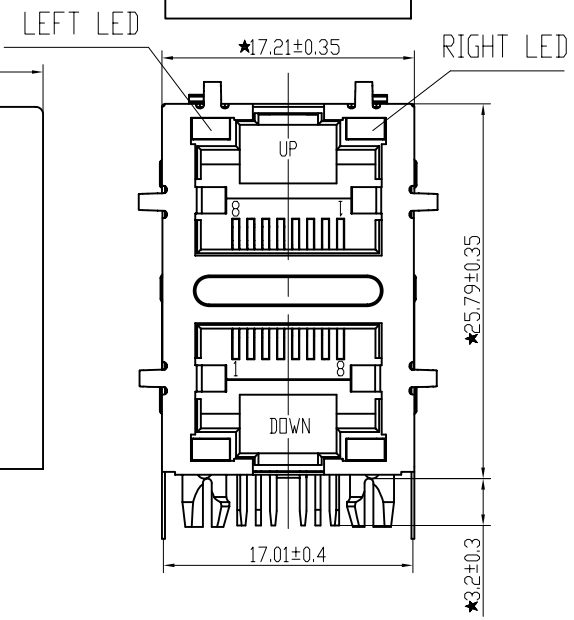
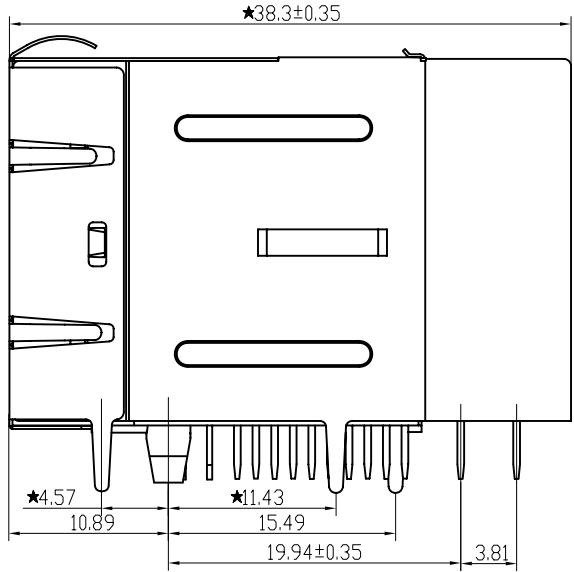


PCB BOARD LAYOUT



LED Specification

Standard LED Color	LED Wavelength	Forward (V MAX)	Typical (V TYP)	Luminous Intensity
Green	560-580 nm	2.5V	2.1-2.2V	9-25 MCD
Yellow	580-610 nm	2.5V	2.1-2.2V	9-30 MCD
Orange	580-610 nm	2.5V	2.1-2.2V	50-100 MCD



1. LED intensity/wavelength measured with Photo Research PR-650 Colormeter
 2. With a forward current of 20 mA, Absolute Maximum Ratings (Ta=25°C)

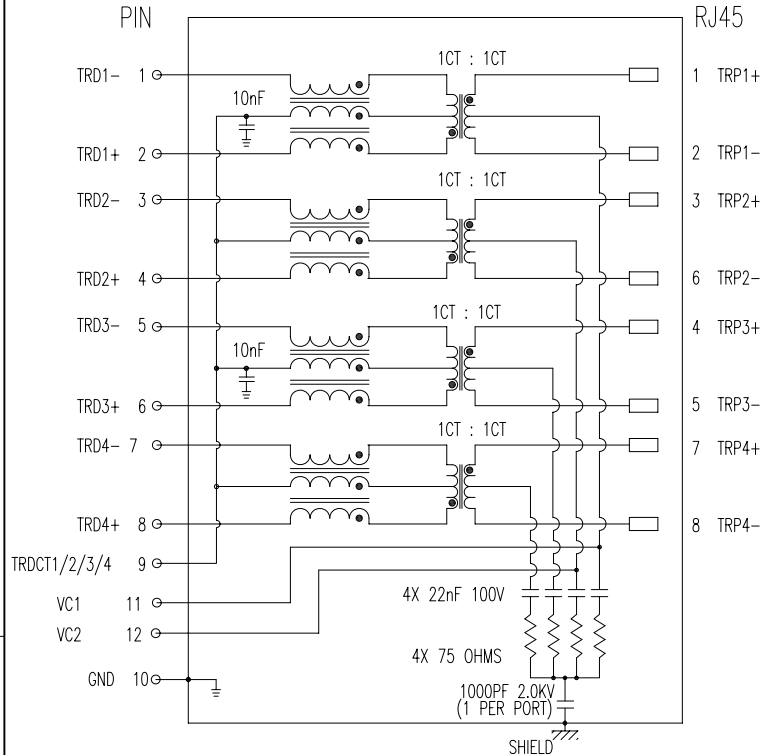
Specification:

- 1: TOLERANCES UNLESS OTHERWISE SPECIFIED :
 0~10±0.15, 10~20±0.2, 20~40±0.25,
 40~70±0.3, >70±0.4
- 2: JACK CAVITY CONFORMS TO FCC RULES AND REGULATIONS, PART 68 SUBPART F.

B-TOP® 东莞市博腾电子科技有限公司
 Dongguan BroadTop Electronic Technology Co., Ltd.

FIRST ANGLE PROJECTION
 TEL: 0769-38926198
 FAX: 0769-38926199
 Website: www.BtopTech.cn
 www.BtopTech.com

Designed	MATERIAL	DESCRIPTION	B59(46-10)GP8-19F-1223-C12(2X1 POE EMI G(-)-Y(-) LED)
Checked	SCALE	UNIT	mm
Approved	2:1	MODEL NO.	REV. V1.1



DESCRIPTION

ELECTRICAL: RJ45 With internal Magnetics Connector

Designed to support such applications as: Ethernet Equipment Complex, Switches, Routers, Firewalls, Servers and Hub
Internal magnetics are 100% electrically tested for functionality per IEEE802.3af/at requirement

RoHS peak wave solder temperature rating 235°C

High performance for maximum EMI suppression

350uH minimum OCL with 8mA bias current; DCR: 1.4 Ohms Max

HIPOT: 1.5kVrms MIN, 60S; TURN RATIO: 1:1±3%

PoE rating: 15W 350mA, 48V; PoE+ rating: 30W, 750mA, 57V; PoE++ rating: 60W, 1000mA, 57V (For PoE Products only)

JACK CAVITY CONFORMS TO FCC RULES AND REGULATIONS, PART 68 SUBPART F.

Surge Protection:

TEC 6100-4-5(L-L 1kV Criteion B)

TEC 6100-4-5(L-L 2kV Criteion C)

TEC 6100-4-5(L-G 4kV Criteion B)

TEC 6100-4-5(L-G 6kV Criteion C)

MECHANICAL: JACK CAVITY CONFORMS TO FCC RULES AND REGULATIONS, PART 68 SUBPART F.

INSERTION FORCE: 8 CONTACTS--900g, 10 CONTACTS--1050g

RETENTION STRENGTH: 7.7Kgs BETWEEN JACK AND PLUG

DURABILITY: 750 MATING CYCLES Mini

MATERIAL: HOUSING: 1) GLASS FILLED PA66 (UL 94V-0)

2) GLASS FILLED PA46/PA6T/PA9T/LCP<265°C> (UL 94V-0)

3) GLASS FILLED PBT/PA/ABS/PC (UL 94V-0)

SPRING WIRE: 0.25-0.35mm THICKNESS PHOSPHOR BRONZE ALLOY SELECTIVE GOLD PLATING OVER NICKEL<50-80μm>
OVER TIN<60-120μm>

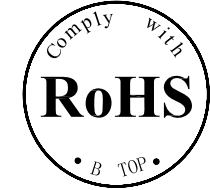
GOLD PLATING: 3μm, 6μm, 15μm, 30μm, 50μm

Signal pin: 0.35*0.42mm(OR:0.4*0.4mm) THICKNESS COPPER ALLOY WITH BOTTOM LAYER NI 30~50μm OVER BRIGHT TIN 60~120μm

SHIELDING: 0.2-0.24mm THICKNESS COPPER ALLOY WITH NICKEL<50-100μm> PLATED

Storage: -40°C~85°C Relative Humidity<70%

Operating: 0°C~+70°C



ELECTRICAL SPECIFICATIONS AT 25 °C

Insertion Loss dB max	Return Loss dB min		Crosstalk(db TYP)	Common Mode Rejection (dB TYP)	Hipot(vrms)
	1-125MHz	1-30MHz			
-1.2	-18	-18+20log(f/30MHz)	-30	-30	1000/0.5mA OR 2000DC/0.1mA

B N (Z) G X - M - A B C D - E H I

"B" with the company code

Series of products: 60: Double deck RJ45 connector + transformer series (in side long foot print); 59: Double deck RJ45 connector + transformer series (in vertical foot print); 50: Single RJ45 + transformer series; 52/53/55/56 LED; 56/57/59: Ordinary RJ45 series; DX: that strip line series; 40: Conversion said Connectivity; 80: Series that UK; 91: Automotive connector public Block; 92: Automotive connector mother Block; 93: HDMI the host; 94: HDMI mother Block; 95: SMT series; 96: BMS for switches

Family code (sequence id): 1-99

Type of product code: 6: Right RJ45 transformer; F: 10Base RJ45 transformer; K: for no transformer RJ45 products; Y: Series for board/board code

Number of magnetic ring
The No. of circuit

Product definition LOGO: 1-Press "B-TOP"; 2-No "B-TOP"; 3-Other companies LOGO

Product definition plastic materials: 1-PA66, 2-PA46, 3-PA, 4-PA6, 5-PBT, 6-ABS, 7-PA9T, 8-PC, 9-LCP

Pin definition of the product: F-Pin after; B-Pin back; C- No definition of the product

Electroplating product definition: gold-plated terminals (degrees after nickel plated) 1-F μm; 2-3 μm; 3-6 μm; 4-15 μm; 5-30 μm; 6-50 μm; 7-(NI-50 μm; Sn-80-120 μm)

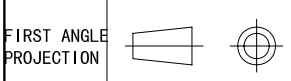
Product shielding definition: 0- no shielding shell; 1- without shielding shell shrapnel; 2- shielding a shell shrapnel; 3- a half-shield shell

Products luminous definition: 0- No LED; 1- Left Yellow Right Green; 2- Left Green Right Yellow; 3- Double Green; 4- Double Yellow; 5- LED straight for the pin; 6- A special definition; 7- Single linear LEDs

Products out part: 1-2X17 2-2X27 4-2X4 5-2X5 6-2X6 8-2X8 A-1X1 B-1X2 G-1X4 D-1X5 E-1X6 T-1X8 U-(USB-RJ45) P-TAB UP1X11 H-TAB UP1X22 M-TAB UP1X4

B-TOP® 东莞博腾电子科技有限公司
Dongguan BroadTop Electronic Technology Co., Ltd.

Designed		MATERIAL		DESCRIPTION	BT GP8-19F 30W 22nF 2X10nF
Checked		SCALE	1.8:1	UNIT	mm
Approved		MODEL NO.	B80020001911	REV.	1.1



TEL: 0769-38926198
FAX: 0769-38926199
Website: www.BtopTech.com