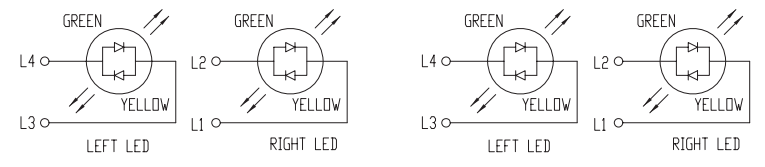
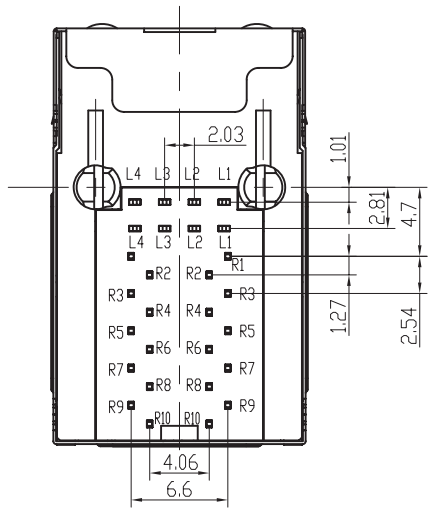


PCB BOARD LAYOUT



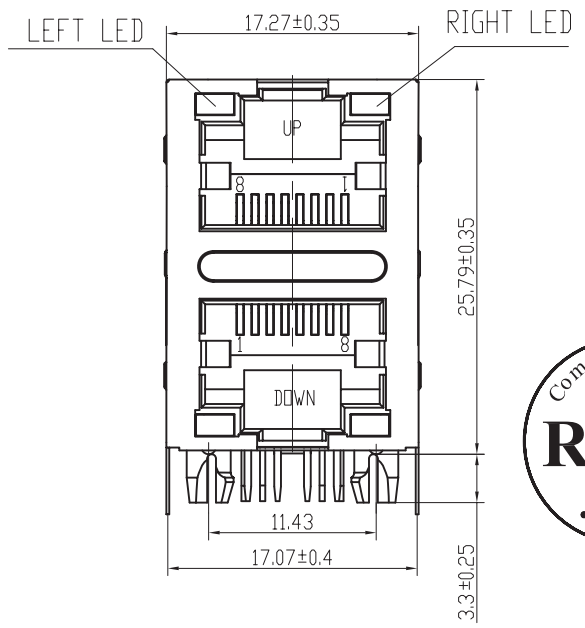
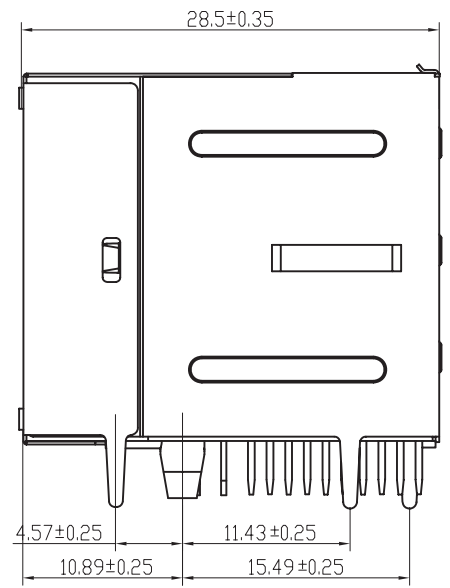
LED Specification

| Standard LED Color | LED Wavelength | Forward (V MAX) | Typical (V TYP) | Luminous Intensity |
|--------------------|----------------|-----------------|-----------------|--------------------|
| Green              | 560-580 nm     | 2.5V            | 2.1-2.2V        | 9-25 MCD           |
| Yellow             | 580-610 nm     | 2.5V            | 2.1-2.2V        | 9-30 MCD           |
| Orange             | 580-610 nm     | 2.5V            | 2.1-2.2V        | 50-100 MCD         |

1. LED intensity/wavelength measured with Photo Research PR-650 Colormeter  
 2. With a forward current of 20 mA, Absolute Maximum Ratings (Ta=25°C)

Specification:

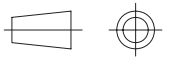
- 1: TOLERANCES UNLESS OTHERWISE SPECIFIED :  
 0~10±0.15, 10~20±0.2, 20~40±0.25,  
 40~70±0.3, >70±0.4
- 2: JACK CAVITY CONFORMS TO FCC RULES AND REGULATIONS, PART 68 SUBPART F.



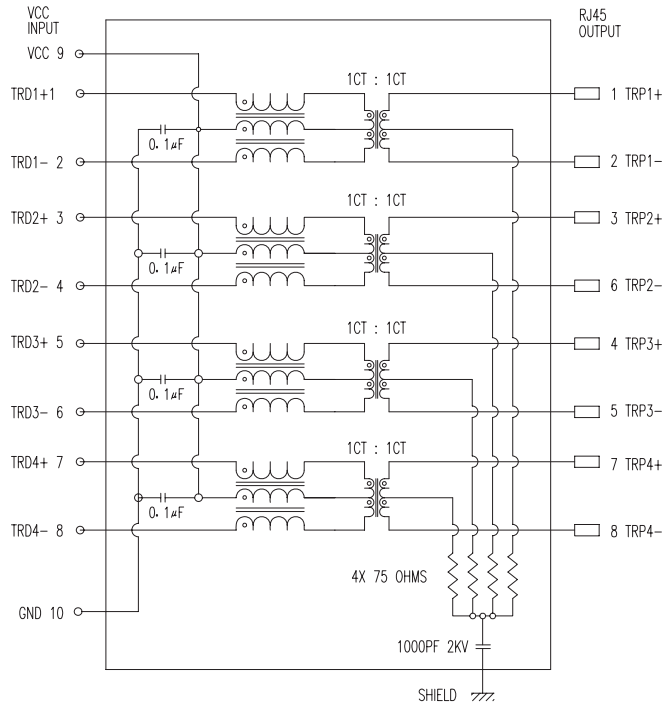
**K. BO** 东莞坤博电子科技有限公司  
 DongGuan KUNBO Electronic Technology CO., LTD

|          |          |             |   |
|----------|----------|-------------|---|
| Designed | MATERIAL | DESCRIPTION | B59(45-62)G8-60-1613-C12(2X1 GY-GY LED) |
| Checked  | SCALE    | UNIT        | mm                                      |
| Approved | 2:1      | MODEL NO.   | REV. V1.0                               |

FIRST ANGLE PROJECTION



### SHEMATIC RV1



## DESCRIPTION

RJ45 With internal Magnetics Connector  
 Designe to support such applications as:Ethernet Equipment Complex,Switches,Routers,Firewalls,Servers and Hub  
 Internal magnetics are 100% electrically tested for functionality per IEEE802.3 requirement

**ELECTRICAL:** RoHS peak wave solder temperature rating 235℃  
 High performance for maximum EMI suppression  
 350uH minnum OCL with 8mA bias current  
 PoE rating:15W,350mA,48V (For PoE Products only)

JACK CAVITY CONFORMS TO FCC RULES AND REGULATIONS,PART 68 SUBPART F.

**MECHANICAL:**  
 INSERTION FORCE: 2 CONTACTS----350g 4 CONTACTS----500g  
 6 CONTACTS----750g 8 CONTACTS----900g  
 RETENTION STRENGTH: 7.7Kgs BETWEEN JACK AND PLUG  
 DURABILITY: 750 MATING CYCLES Mini

**HOUSING:** 1) GLASS FILLED PA66 (UL 94V-0)  
 2) GLASS FILLED PA46/LCP (UL 94V-0)  
 3) GLASS FILLED PBT (UL 94V-0)

**MATERIAL:**  
**SPRING WIRE:** 1) 0.2-0.45mm DIA PHOSPHOR BRONZE GOLD PLATING OVER NICKEL  
 2) 0.2-0.35mm THICKNESS PHOSPHOR BRONZE ALLOY SELECTIVE GOLD PLATING OVER NICKEL  
**SHIELDING:** 0.12-0.24mm THICKNESS COPPER ALLOY WITH TIN PLATED  
**GOLD PLATING:** 3µ", 6µ", 15µ", 30µ", 50µ"  
**WORKING TEMPERATURE:** -20℃~70℃  
**TOLERANCES UNLESS OTHERWISE SPECIFIED :** 0~10±0.15, 10~20±0.2, 20~40±0.25, 40~70±0.3, >70±0.4



### ELECTRICAL SPECIFICATIONS AT 25°C

| Insertion Loss dB max | Return Loss dB min |         |           | Crosstalk(db TYP) |         |           | Common Mode Rejection (dB TYP) |         | Hipot(vrms) |
|-----------------------|--------------------|---------|-----------|-------------------|---------|-----------|--------------------------------|---------|-------------|
|                       | 1-100MHz           | 1-30MHz | 30- 60MHz | 60- 100MHz        | 1-30MHz | 30- 60MHz | 60- 100MHz                     | 1-50MHz |             |
| -1.0                  | -18                | -16     | -12       | -40               | -35     | -30       | -30                            | -20     | 1500/0.5mA  |

"B" with the company code

Series of products: 60:Double deck RJ45 connector + transformer series(In sidelong footprint); 59:Double deck RJ45 connector + transformer series(In vertical footprint);50: Single RJ45 + transformer series;52/53/55/56 LED/56/57/59; Ordinary RJ45 series;DX: that strip line series; 40: Conversion said Connectivity 80; Series that UK; 91: Automotive connector public Block;92: Automotive connector mother Block; 93: HDMI the head;94: HDMI mother Block; 95: SMT series; 96: BHS for switches

**Family code (sequence id):1-99**

Type of product code: G: Gigabit RJ45 transformer; F: 1000base RJ45 transformer; V:for no transformer RJ45 products; W: Series for board-to-board code

**Number of magnetic ring**  
**The No. of circuit**

**B N (Z) G X - M - A B C D - E H I**

Product definition LOGO: 1 - Press "B-TOP";2- No "B-TOP"; 3- Other companies LOGO

Product definition plastic materials: 1-PA66,2-PA46, 3-PA, 4-PA6, 5-PBT, 6-ABS, 7-PA9T,8-PC

Pin definition of the product:F-Pin after; B-Pin back; C- No definition of the product

Electroplating product definition: gold-plated terminals(degrees after nickel plated) 1-F µ" ; 2-3 µ" ; 3-6 µ" ; 4-15 µ" ; 5-30 µ" ; 6-50 µ" ; 7-(Ni-50 µ" ; Sn-80-120 µ" );

Product shielding definition: 0 - no shielding shell; 1 - without shielding shell shrapnet; 2 - shielding a shell shrapnet; 3 - a half-shield shell;

Products luminous definition: 0 - No LED; 1 -Left Yellow Right Green; 2 - Left Green Right Yellow; 3 - Double Green; 4 - Double Yellow; 5 - LED straight for the pin; 6 - A special definition;7 - Single linear LEDs

Products out port: 1-2X1 2-2X2 4-2X4 5-2X5 6-2X6 8-2X8 A-1X1 B-1X2 C-1X4 D-1X5 E-1X6 I-1X8 U-(USB+RJ45) P-TAB UP1X1 H-TAB UP1X2 K-TAB UP1X4

**K. BO** 东莞坤博电子科技有限公司  
 DongGuan KUNBO Electronic Technology CO.,LTD

Designed

Checked

Approved

MATERIAL

DESCRIPTION

BT G8-60

FIRST ANGLE PROJECTION



SCALE

1.8:1

UNIT

mm

MODEL NO.

B80020006011

REV.