

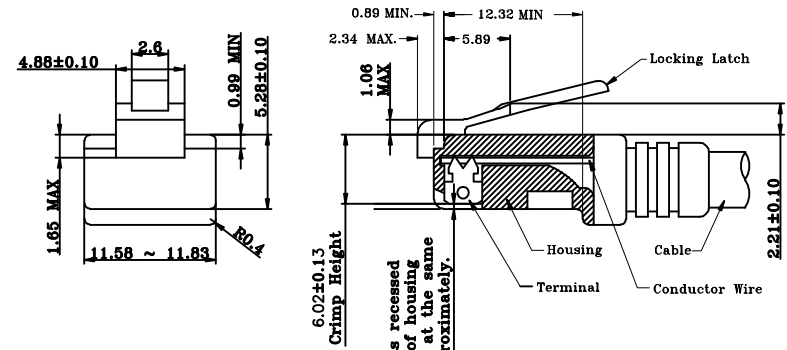
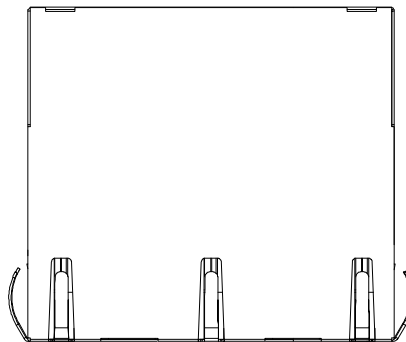
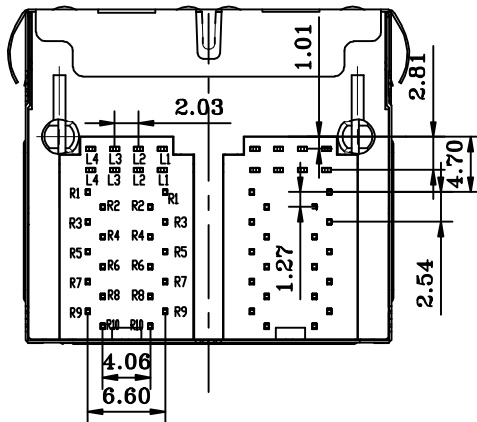
DESCRIPTION:
RJ45 With internal Magnetics Connector
Designed to support such applications as: Ethernet Equipment Complex, Switches, Routers, Firewalls, Servers and Hub
Internal magnetics are 100% electrically tested for functionality per IEEE802.3af/at requirement

ELECTRICAL:
RoHS peak wave solder temperature rating 235°C
High performance for maximum EMI suppression
JACK CAVITY CONFORMS TO FCC RULES AND REGULATIONS, PART 68 SUBPART F.
INSERTION FORCE: 2 CONTACTS----350g 4 CONTACTS----500g
6 CONTACTS----750g 8 CONTACTS----900g
10 CONTACTS----1050g

MECHANICAL:
RETENTION STRENGTH: 7.7Kgs BETWEEN JACK AND PLUG
DURABILITY: 750 MATING CYCLES Mini
HOUSING: 1) GLASS FILLED PA66 (UL 94V-0)
2) GLASS FILLED PA46/LCP (UL 94V-0)
3) GLASS FILLED PBT (UL 94V-0)

MATERIAL:
SPRING WIRE:
1) 0.2-0.45mm DIA PHOSPHOR BRONZE GOLD PLATING OVER NICKEL
2) 0.2-0.35mm THICKNESS PHOSPHOR BRONZE ALLOY SELECTIVE GOLD PLATING OVER NICKEL;
GOLD PLATING: 3μ#, 6μ#, 15μ#, 30μ#, 50μ#
WORKING TEMPERATURE: -20°C~70°C
TOLERANCES UNLESS OTHERWISE SPECIFIED :
0-10±0.15, 10-20±0.2, 20-40±0.25, 40-70±0.3, ≥70±0.4

1.Recommend Plug Dim



All contacts recessed below top of housing and must be at the same height approximately.

All dimensions follow :
FCC subpart F, 68,500, Figure (C)(2)(i)
IEC 60603-7
STANDARD MODULAR PLUG ASSEMBLY

NOTES : 1. Tolerance : PCB ±0.05mm
Connector ±0.25mm
2. Connector dimensions comply with FCC 68.5 dimension requirements

B-TOP 东莞市博腾电子科技有限公司
Dongguan BtopTech Electronic Technology Co., Ltd.

TITLE: B59(129-02)S8-241-2623-C12(2X2PORT YG-YG EMI)

PART NO.: 2X2Port 2.5G BASE W/ SHELL W/LED

DIM.	TOL.	UNIT:	mm
X	±0.30	SCALE:	1:1
X.X	±0.20	SHEET:	1 of 2
X.XX	±0.15	DWG. SIZE:	A4
X.XXX	±0.10	LAYER:	XXXX
GENERAL ANGLE:		±3°	

WEBSITE: WWW.BTOPTECH.COM
WWW.BTOPTECH.CN
TEL: 0769-38928198
FAX: 0769-38928199

DRAWN:
CHECKED:
APPROVED:

REV.	DESCRIPTION	ECN NO.	NAME	DATE
XA	NEW RELEASE	xxxx	Jason	2018-Jun-19

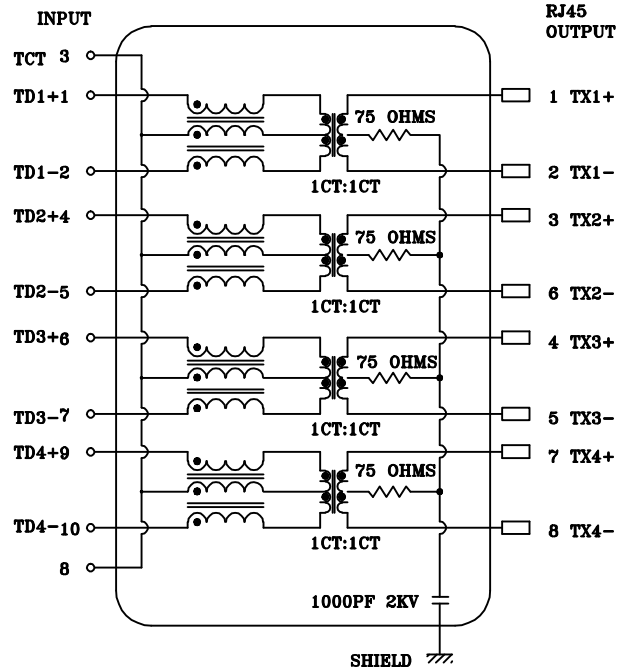
REVISIONS

Meets or exceeds IEEE 802.3 standard for 2.5G Base
 200 uH minimum OCL with 8mA DC bias current
 Available with or without LEDs
 Minimum 1500Vrms isolation per IEEE802.3 requirement
 Operating temperature 0°C to +70°C
 Storage temperature -40°C to +85°C

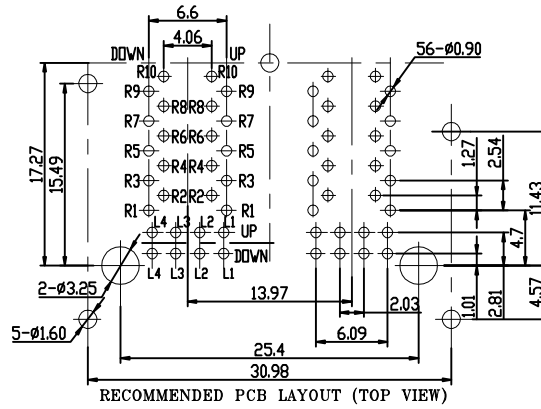
2.TRANSFORMER ELECTRICAL SPECIFICATIONS AT 25°C:

Insertion Loss (dB max.)			Return Loss (dB min.)				C.M.R. (dB min.)	Hi - pot (Vrms)
1-40 MHz	40-125 MHz	125-650 MHz	1-40 MHz	40-100 MHz	100-400 MHz	125-500 MHz	1-250 MHz	60Hz/1min.
-0.8	-1.2	-3.0	-18	-14	-8	-5	-40	1500

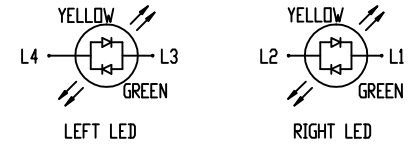
3.SCHEMATIC:



4.Pin Assignment For PCB Layout



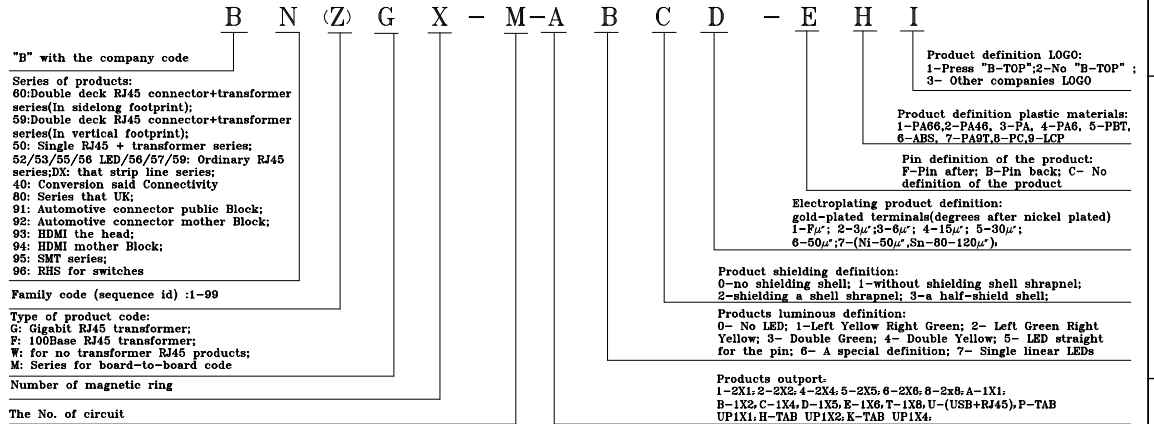
T=1.60 TOLERANCES:±0.05



Standard LED Color	LED Wavelength	Forward (V MAX)	Typical (V TYP)	Luminous Intensity
Green	560-580nm	2.5V	2.1-2.2V	9-25MCD
Yellow	580-590nm	2.5V	2.1-2.2V	9-30MCD
Orange	590-610nm	2.5V	2.1-2.2V	20-100MCD

LED Specification

5.ORDER INFORMATION

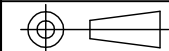


B-TOP 东莞市博腾电子科技有限公司
 Dongguan BtopTech Electronic Technology Co., Ltd.

TITLE: B59(129-02)S8-241-2623-C12(2X2PORT YG-YG EMI)

PART NO.: 2X2Port 2.5G BASE W/ SHELL W/LED

DIM. TOL.
 X ±0.30
 X.X ±0.20
 X.XX ±0.15
 X.XXX ±0.10
 GENERAL ANGLE: ±3°



UNIT: mm
 SCALE: 1:1
 SHEET: 2 of 2
 DWG. SIZE: A4
 LAYER: XXXX

WEBSITE: WWW.BTOPTECH.COM
 WWW.BTOPTECH.CN
 TEL: 0769-38928198
 FAX: 0769-38928199

DRAWN:
 CHECKED:
 APPROVED:

REV.	DESCRIPTION	ECN NO.	NAME	DATE
XA	NEW RELEASE	xxxx	Jason	2018-Jun-19

REVISIONS