



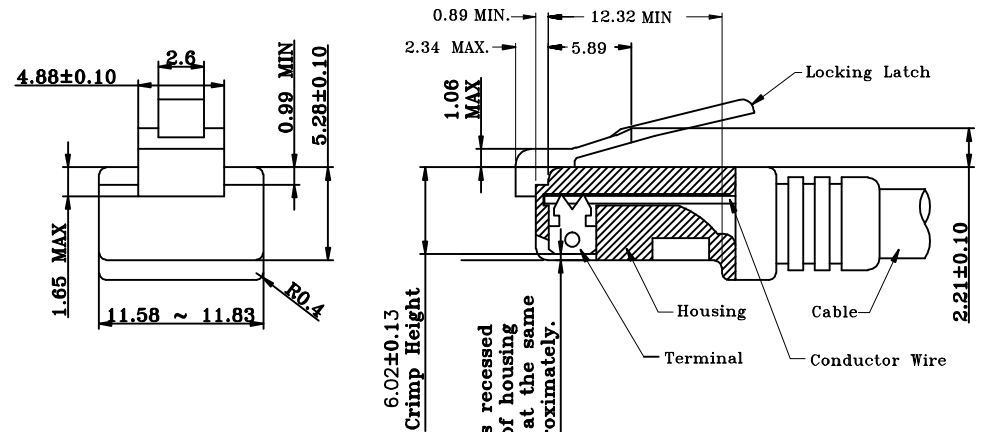
**DESCRIPTION:**  
 RJ45 With internal Magnetics Connector  
 Designed to support such applications as: Ethernet Equipment Complex, Switches, Routers, Firewalls, Servers and Hub  
 Internal magnetics are 100% electrically tested for functionality per IEEE802.3af/at requirement

**ELECTRICAL:**  
 RoHS peak wave solder temperature rating 235°C  
 High performance for maximum EMI suppression  
**JACK CAVITY CONFORMS TO FCC RULES AND REGULATIONS, PART 68 SUBPART F.**  
**INSERTION FORCE:** 2 CONTACTS----350g 4 CONTACTS----500g  
 6 CONTACTS----750g 8 CONTACTS----900g  
 10 CONTACTS----1050g

**MECHANICAL:**  
**RETENTION STRENGTH:** 7.7Kgs BETWEEN JACK AND PLUG  
**DURABILITY:** 750 MATING CYCLES Mini  
**HOUSING:** 1) GLASS FILLED PA66 (UL 94V-0)  
 2) GLASS FILLED PA46/LCP (UL 94V-0)  
 3) GLASS FILLED PBT (UL 94V-0)

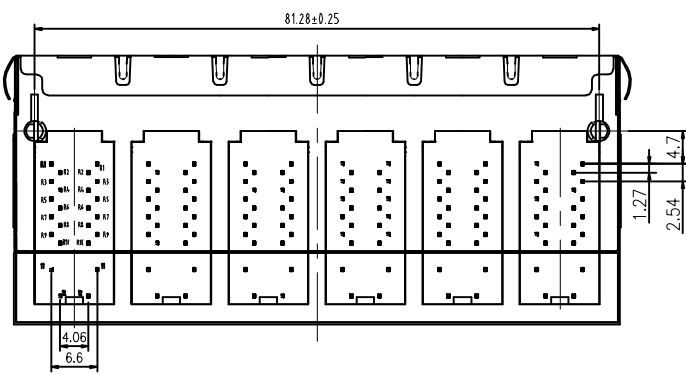
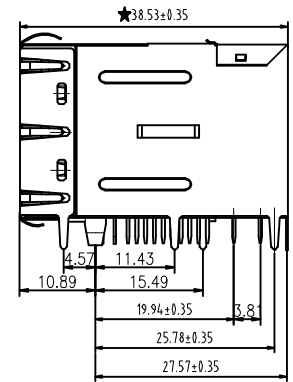
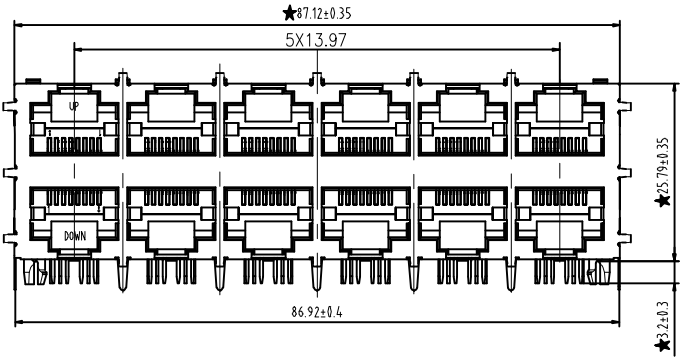
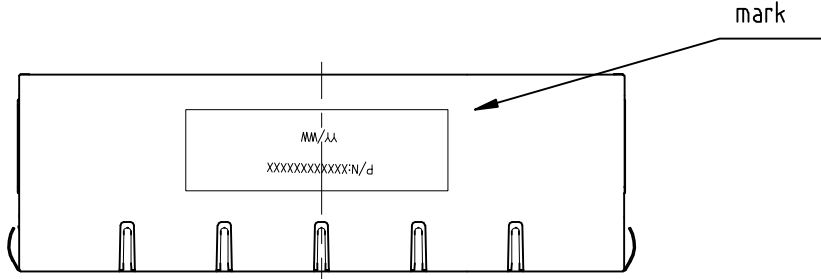
**MATERIAL:**  
**SPRING WIRE:**  
 1) 0.2-0.45mm DIA PHOSPHOR BRONZE GOLD PLATING OVER NICKEL  
 2) 0.2-0.35mm THICKNESS PHOSPHOR BRONZE ALLOY SELECTIVE GOLD PLATING OVER NICKEL;  
**GOLD PLATING:** 3μ#, 6μ#, 15μ#, 30μ#, 50μ#  
**TOLERANCES UNLESS OTHERWISE SPECIFIED :**  
 0-10±0.15, 10-20±0.2, 20-40±0.25, 40-70±0.3, ≥70±0.4

1. Recommend Plug Dim



All contacts recessed below top of housing and must be at the same height approximately.

All dimensions follow :  
 FCC subpart F, 68,500, Figure (C)(2)(i)  
 IEC 60603-7  
 STANDARD MODULAR PLUG ASSEMBLY



NOTES : 1. Tolerance : PCB ±0.05mm  
 Connector ±0.25mm  
 2. Connector dimensions comply with FCC 68.5 dimension requirements

**B-TOP** 东莞市博腾电子科技有限公司  
 Dongguan BtopTech Electronic Technology Co., Ltd.

DIM.	TOL.	UNIT:	mm
X	±0.30	SCALE:	1:1
X.X	±0.20	SHEET:	1 of 2
X.XX	±0.15	DWG. SIZE:	A4
X.XXX	±0.10	LAYER:	XXXX
GENERAL ANGLE: ±3°			

WEBSITE:	WWW.BTOPTECH.COM WWW.BTOPTECH.CN
TEL:	0769-38928198
FAX:	0769-38928199
DRAWN:	
CHECKED:	
APPROVED:	

TITLE:	B59(128-01)GP8-203-6023-C12
PART NO.:	2.5/5G PoE+ 2X6 Port W/ SHELL W/O LED

REV.	DESCRIPTION	ECN NO.	NAME	DATE
XA	NEW RELEASE	xxxx	Jason	2018-Oct-19

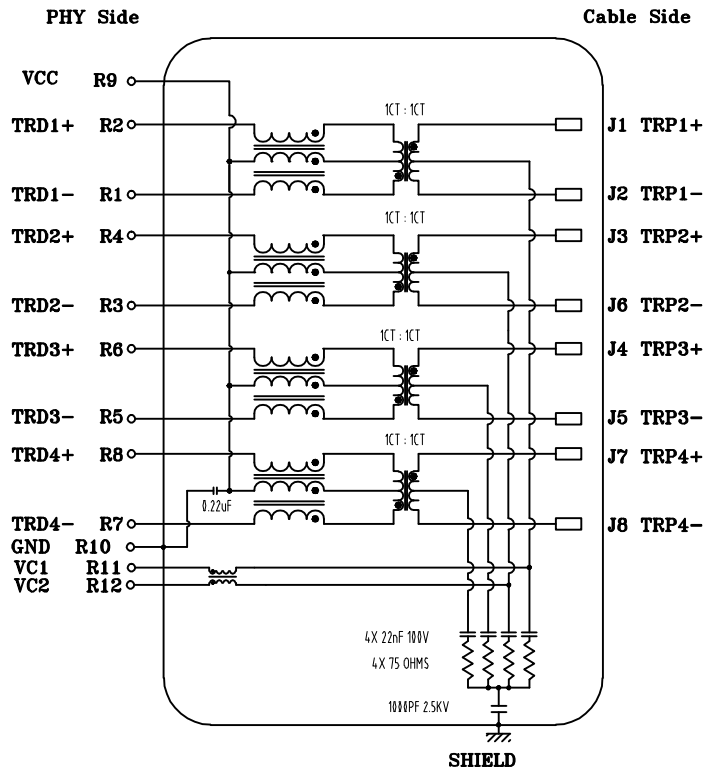
**REVISIONS**

Meets or exceeds IEEE 802.3 standard for 5G Base-TX  
 120 uH minimum OCL with 18mA DC bias current  
 Available with or without LEDs  
 Minimum 1500Vrms isolation per IEEE802.3 requirement  
 DC Current/Voltage Rating-PoE: 720mA MAX @57VDC(Continuous)  
 Operating temperature 0°C to +70°C  
 Storage temperature -40°C to +85°C

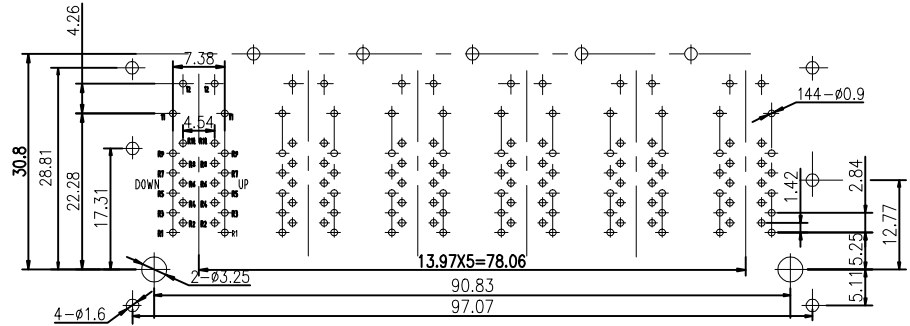
2.TRANSFORMER ELECTRICAL SPECIFICATIONS AT 25°C;

Insertion Loss (dB max.)			Return Loss (dB min.)				C.M.R. (dB min.)	Hi - pot (Vrms)
1-40 MHz	40-125 MHz	125-250 MHz	1-40 MHz	40-80 MHz	100-125 MHz	125-250 MHz	1-250 MHz	60Hz/1min.
-0.8	-1.2	-3.0	-16	-14	-12	-8	-40	1500

3.SCHEMATIC:



4.Pin Assignment For PCB Layout



Suggested PCB Pad Layout  
Component Side View

5.ORDER INFORMATION

"B" with the company code

Series of products:  
 60: Double deck RJ45 connector+transformer series (in vertical footprint);  
 59: Double deck RJ45 connector+transformer series (in sidelong footprint);  
 50: Single RJ45 + transformer series;  
 52/53/55/56 LED/56/57/58: Ordinary RJ45 series; DX: that strip line series;  
 40: Conversion said Connectivity  
 80: Series that UK;  
 91: Automotive connector public Block;  
 92: Automotive connector mother Block;  
 93: HDMI the head;  
 94: HDMI mother Block;  
 95: SMT series;  
 98: RBS for switches

Family code (sequence id) : 1-99

Type of product code:  
 G: Gigabit RJ45 transformer;  
 F: 100Base RJ45 transformer;  
 W: for no transformer RJ45 products;  
 M: Series for board-to-board code

Number of magnetic ring

The No. of circuit

Product definition LOGO:  
 1-Press "B-TOP"; 2-No "B-TOP";  
 3- Other companies LOGO

Product definition plastic materials:  
 1-PA66, 2-PA46, 3-PA, 4-PA6, 5-PBT,  
 6-ABS, 7-PA9T, 8-PC, 9-LCP

Pin definition of the product:  
 F-Pin after; B-Pin back; C- No definition of the product

Electroplating product definition:  
 gold-plated terminals (degrees after nickel plated)  
 1-5µ; 2-3µ; 3-6µ; 4-15µ; 5-30µ;  
 6-50µ; 7-(Ni-50µ; Sn-60-120µ)

Product shielding definition:  
 0-no shielding shell; 1-without shielding shell shrapnel;  
 2-shielding a shell shrapnel; 3-a half-shield shell;

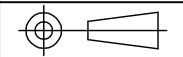
Products luminous definition:  
 0- No LED; 1-Left Yellow Right Green; 2- Left Green Right Yellow;  
 3- Double Green; 4- Double Yellow; 5- LED straight for the pin;  
 6- A special definition; 7- Single linear LEDs

Products outport:  
 1-2X1, 2-2X2, 4-2X4, 5-2X5, 6-2X6, 8-2X8, A-1X1,  
 B-1X2, C-1X4, D-1X5, E-1X6, T-1X8, U-(USB+RJ45), P-TAB  
 UP1X1; H-TAB UP1X2; K-TAB UP1X4.

**B-TOP** 东莞市博腾电子科技有限公司  
 Dongguan BtopTech Electronic Technology Co., Ltd.

TITLE: B59(128-01)GP8-203-6023-C12  
 PART NO.: 2.5/5G PoE+ 2X6 Port W/ SHELL W/O LED

DIM. TOL.  
 X ±0.30  
 X.X ±0.20  
 X.XX ±0.15  
 X.XXX ±0.10  
 GENERAL ANGLE: ±3°



UNIT: mm  
 SCALE: 1:1  
 SHEET: 2 of 2  
 DWG. SIZE: A4  
 LAYER: XXXX

WEBSITE: WWW.BTOPTECH.COM  
 WWW.BTOPTECH.CN  
 TEL: 0769-38928198  
 FAX: 0769-38928199  
 DRAWN:  
 CHECKED:  
 APPROVED:

REV.	DESCRIPTION	ECN NO.	NAME	DATE
XA	NEW RELEASE	xxxx	Jason	2018-Oct-19

REVISIONS