

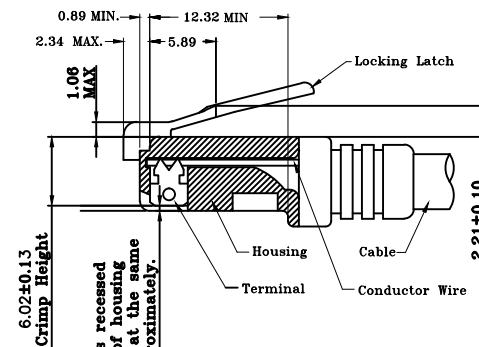
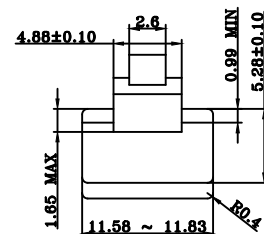
DESCRIPTION:
RJ45 With internal Magnetics Connector
Designed to support such applications as: Ethernet Equipment Complex, Switches, Routers, Firewalls, Servers and Hub
Internal magnetics are 100% electrically tested for functionality per IEEE802.3af/at requirement

ELECTRICAL:
RoHS peak wave solder temperature rating 235°C
High performance for maximum EMI suppression
JACK CAVITY CONFORMS TO FCC RULES AND REGULATIONS, PART 68 SUBPART F.
INSERTION FORCE: 2 CONTACTS----350g 4 CONTACTS----500g
6 CONTACTS----750g 8 CONTACTS----900g
10 CONTACTS----1050g

MECHANICAL:
RETENTION STRENGTH: 7.7Kgs BETWEEN JACK AND PLUG
DURABILITY: 750 MATING CYCLES Mini
HOUSING: 1) GLASS FILLED PA66 (UL 94V-0)
2) GLASS FILLED PA46/LCP (UL 94V-0)
3) GLASS FILLED PBT (UL 94V-0)

MATERIAL:
SPRING WIRE:
1) 0.2-0.45mm DIA PHOSPHOR BRONZE GOLD PLATING OVER NICKEL
2) 0.2-0.35mm THICKNESS PHOSPHOR BRONZE ALLOY SELECTIVE GOLD PLATING OVER NICKEL;
GOLD PLATING: 3μ", 6μ", 15μ", 30μ", 50μ"
WORKING TEMPERATURE: -20°C~70°C

1. Recommend Plug Dim



All contacts recessed below top of housing and must be at the same height approximately.

All dimensions follow :
FCC subpart F, 68.500, Figure (C)(2)(i)
IEC 60603-7

STANDARD MODULAR PLUG ASSEMBLY

- NOTES : 1. Tolerance : PCB ±0.05mm
Connector ±0.25mm
2. Connector dimensions comply with FCC 68.5 dimension requirements

B-TOP 东莞市博腾电子科技有限公司
Btop Tech Dongguan BtopTech Electronic Technology Co., Ltd.

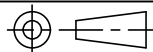
DIM. TOL.
X ±0.30
X.X ±0.20
X.XX ±0.15
X.XXX ±0.10
GENERAL ANGLE: ±3°

UNIT: mm
SCALE: 1:1
SHEET: 1 OF 2
DWG. SIZE: A4
LAYER: XXXX

WEBSITE: WWW.BTOPTECH.COM
WWW.BTOPTECH.CN
TEL: 0769-38928198
FAX: 0769-38928199

DRAWN:
CHECKED:
APPROVED:

TITLE: B59(127-11)SP8-214-4623-C12
PART NO.: 2.5G BASE PoE 2X4Port W/ SHELL W/ LED 6u"



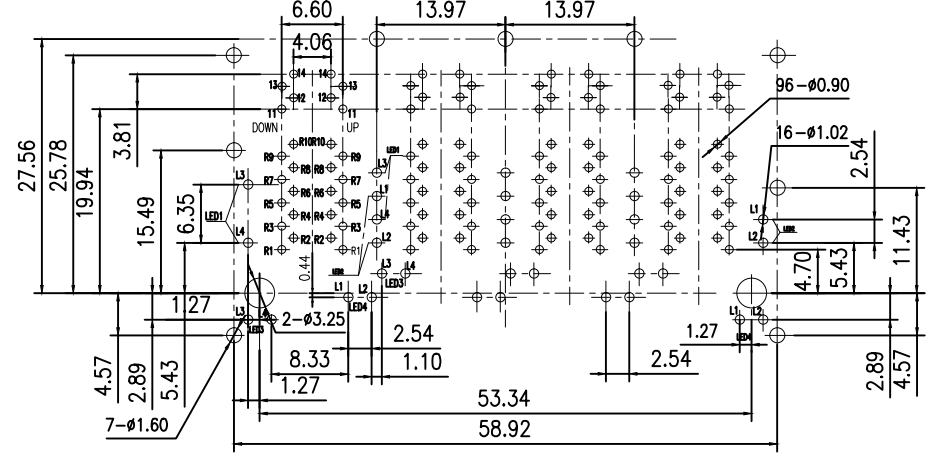
XA	NEW RELEASE	XXXX	Jason	2019/4/8
REV.	DESCRIPTION	ECN NO.	NAME	DATE

REVISIONS



Meets or exceeds IEEE 802.3 standard for 2.5G Base-T
 120 uH minimum OCL with 11mA DC bias current
 Available with or without LEDs
 Minimum 1500Vrms isolation per IEEE802.3 requirement
 DC Current/Voltage Rating-PoE: 600mA MAX @57VDC(Continuous)
 Operating temperature 0°C to +70°C
 Storage temperature -40°C to +85°C

4.Pin Assignment For PCB Layout

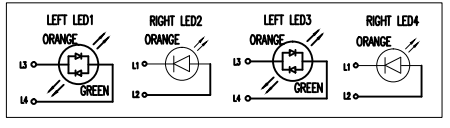
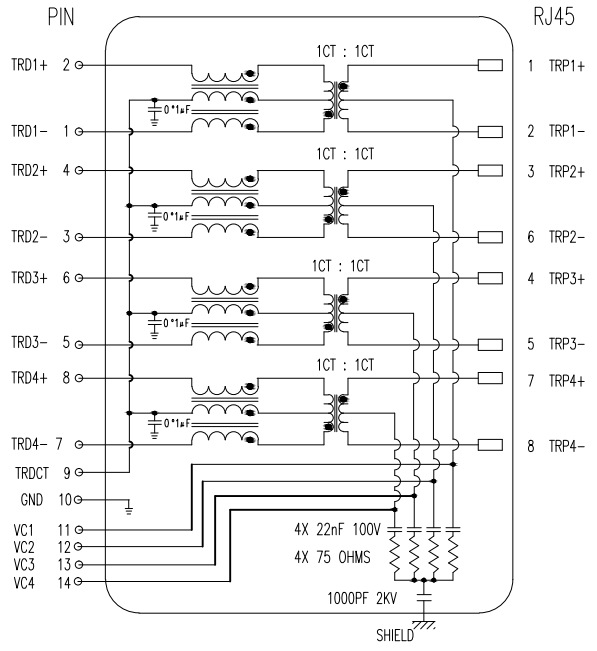


Suggested PCB Pad Layout
 Component Side View

2.TRANSFORMER ELECTRICAL SPECIFICATIONS AT 25°C;

Insertion Loss (dB max.)			Return Loss (dB min.)				C.M.R. (dB min.)	Hi - pot (Vrms)
1-40 MHz	40-125 MHz	125-250 MHz	1-40 MHz	40-80 MHz	100-125 MHz	125-250 MHz	1-250 MHz	60Hz/1min.
-0.8	-1.2	-3.0	-16	-14	-12	-8	-40	1500

3.SCHEMATIC:



Standard LED Color	LED Wavelength	Forward (V MAX)	Typical (V TYP)	Luminous Intensity
Green	560-580 nm	2.5V	2.1-2.2V	9-25 MCD
Amber	590-605 nm	2.5V	2.1-2.2V	30-50 MCD
Orange	580-610 nm	2.5V	2.1-2.2V	50-100 MCD

5.ORDER INFORMATION

"B" with the company code

Series of products:
 60: Double deck RJ45 connector+transformer series(In sidelong footprint);
 59: Double deck RJ45 connector+transformer series(In vertical footprint);
 50: Single RJ45 + transformer series;
 52/53/55/56 LED/56/57/59: Ordinary RJ45 series;DX: that strip line series;
 40: Conversion said Connectivity
 60: Series that UK;
 91: Automotive connector public Block;
 92: Automotive connector mother Block;
 93: HDMI the head;
 94: HDMI mother Block;
 95: SMT series;
 96: RHS for switches

Family code (sequence id) :1-99

Type of product code:
 G: Gigabit RJ45 transformer;
 F: 100Base RJ45 transformer;
 W: for no transformer RJ45 products;
 M: Series for board-to-board code

Number of magnetic ring

The No. of circuit

Product definition LOGO:
 1-Press "B-TOP";2-No "B-TOP";
 3- Other companies LOGO

Product definition plastic materials:
 1-PA66,2-PA46, 3-PA, 4-PA6, 5-PBT,
 6-ABS, 7-PA9T,8-PC,9-LCP

Pin definition of the product:
 F-Pin after; B-Pin back; C- No definition of the product

Electroplating product definition:
 gold-plated terminals(degrees after nickel plated)
 1-Fu'; 2-3u';3-6u'; 4-15u'; 5-30u';
 6-50u';7-(Ni-50u';Sn-80-120u')

Product shielding definition:
 0-no shielding shell; 1-without shielding shell shrapnel;
 2-shielding a shell shrapnel; 3-a half-shield shell;

Products luminous definition:
 0- No LED; 1-Left Yellow Right Green; 2- Left Green Right Yellow; 3- Double Green; 4- Double Yellow; 5- LED straight for the pin; 6- A special definition; 7- Single linear LEDs

Products output:
 1-2X1;2-2X2;4-2X4;5-2X5;6-2X6;8-2X8;A-1X1;
 B-1X2;C-1X4;D-1X5;E-1X6;T-1X8;U-(USB+RJ45);P-TAB
 UP1X1;H-TAB UP1X2;K-TAB UP1X4;

B-TOP 东莞市博腾电子科技有限公司
 Btop Tech Dongguan BtopTech Electronic Technology Co., Ltd.

DIM.	TOL.
X	±0.30
X.X	±0.20
X.XX	±0.15
X.XXX	±0.10

GENERAL ANGLE: ±3°

UNIT:	mm
SCALE:	1:1
SHEET:	2 of 2
DWG. SIZE:	A4
LAYER:	XXXX

WEBSITE:	WWW.BTOPTECH.COM
TEL:	0769-38928198
FAX:	0769-38928199
DRAWN:	
CHECKED:	
APPROVED:	

TITLE:	B59(127-11)SP8-214-4623-C12
PART NO.:	2.5G BASE PoE 2X4Port W/ SHELL W/ LED 6u"

REV.	DESCRIPTION	ECN NO.	NAME	DATE
XA	NEW RELEASE	XXXX	Jason	2019/4/8

REVISIONS