

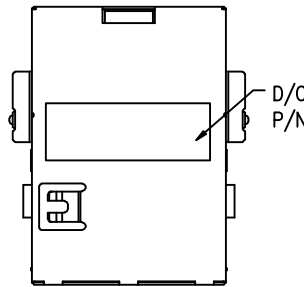
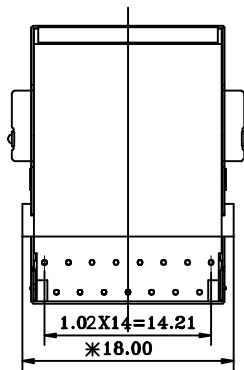
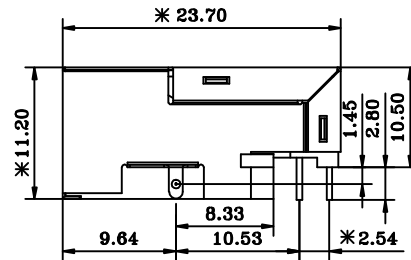
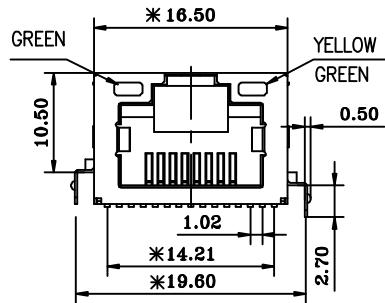


DESCRIPTION:  
RJ45 With internal Magnetics Connector  
Designed to support such applications as: Ethernet Equipment Complex, Switches, Routers, Firewalls, Servers and Hub  
Internal magnetics are 100% electrically tested for functionality per IEEE802.3af/at requirement

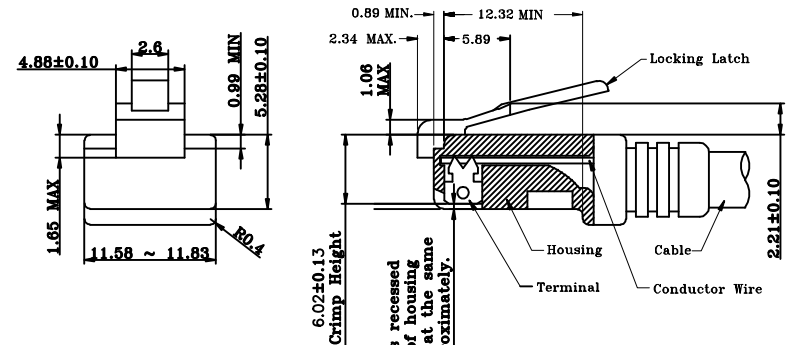
ELECTRICAL:  
RoHS peak wave solder temperature rating 235°C  
High performance for maximum EMI suppression  
JACK CAVITY CONFORMS TO FCC RULES AND REGULATIONS, PART 68 SUBPART F.  
INSERTION FORCE: 2 CONTACTS----350g 4 CONTACTS----500g  
6 CONTACTS----750g 8 CONTACTS----900g  
10 CONTACTS----1050g

MECHANICAL:  
RETENTION STRENGTH: 7.7Kgs BETWEEN JACK AND PLUG  
DURABILITY: 750 MATING CYCLES Mini  
HOUSING: 1) GLASS FILLED PA66 (UL 94V-0)  
2) GLASS FILLED PA46/LCP (UL 94V-0)  
3) GLASS FILLED PBT (UL 94V-0)

MATERIAL:  
SPRING WIRE:  
1) 0.2-0.45mm DIA PHOSPHOR BRONZE GOLD PLATING OVER NICKEL  
2) 0.2-0.35mm THICKNESS PHOSPHOR BRONZE ALLOY SELECTIVE GOLD PLATING OVER NICKEL;  
GOLD PLATING: 3μ#, 6μ#, 15μ#, 30μ#, 50μ#  
WORKING TEMPERATURE: -20°C~70°C  
TOLERANCES UNLESS OTHERWISE SPECIFIED :  
0-10±0.15, 10-20±0.2, 20-40±0.25, 40-70±0.3, ≥70±0.4



1.Recommend Plug Dim



All contacts recessed below top of housing and must be at the same height approximately.

All dimensions follow :  
FCC subpart F, 68,500, Figure (C)(2)(i)  
IEC 60603-7  
STANDARD MODULAR PLUG ASSEMBLY

NOTES : 1. Tolerance : PCB ±0.05mm  
Connector ±0.25mm  
2. Connector dimensions comply with FCC 68.5 dimension requirements

**B-TOP** 东莞市博腾电子科技有限公司  
Dongguan BtopTech Electronic Technology Co., Ltd.

TITLE: B50(250-01)S8-214-P213-C92  
PART NO.: TAB-UP217 23G BASE W/SEAL W/LED (5PIN 沉板)

DIM.	TOL.	UNIT:	mm
X	±0.30	SCALE:	1:1
X.X	±0.20	SHEET:	1 of 2
X.XX	±0.15	DWG. SIZE:	A4
X.XXX	±0.10	LAYER:	XXXX
GENERAL ANGLE: ±3°			

WEBSITE: WWW.BTOPTECH.COM  
WWW.BTOPTECH.CN  
TEL: 0769-38928198  
FAX: 0769-38928199

DRAWN:  
CHECKED:  
APPROVED:

XA	NEW RELEASE	xxxx	Jason	2017-Dec-22
REV.	DESCRIPTION	ECN NO.	NAME	DATE

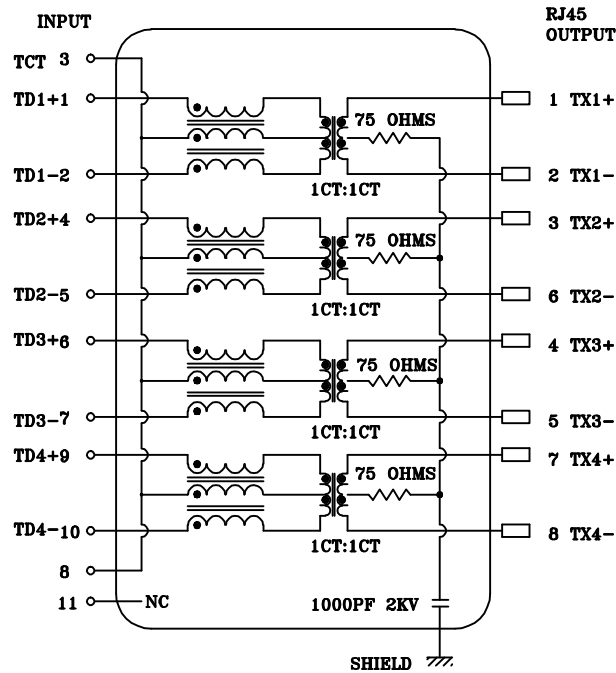
REVISIONS

Meets or exceeds IEEE 802.3 standard for 10/100/1000 Base-TX  
 200 uH minimum OCL with 8mA DC bias current  
 Available with or without LEDs  
 Minimum 1500Vrms isolation per IEEE802.3 requirement  
 Operating temperature 0°C to +70°C  
 Storage temperature -40°C to +85°C

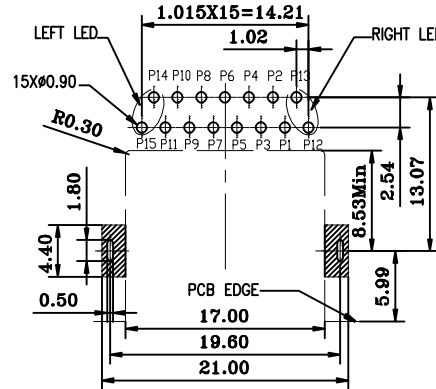
2.TRANSFORMER ELECTRICAL SPECIFICATIONS AT 25°C:

Insertion Loss (dB max.)			Return Loss (dB min.)			C.M.R. (dB min.)	Hi - pot (Vrms)
1-40 MHz	40-125 MHz	125-250 MHz	1-40 MHz	40-100 MHz	100-250 MHz	1-250 MHz	60Hz/1min.
-0.8	-1.2	-3.0	-18	-14	-10	-40	1500

3.SCHEMATIC:

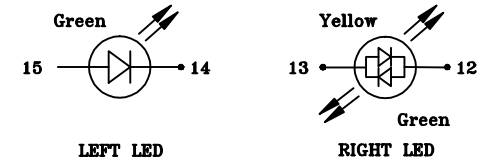


4.Pin Assignment For PCB Layout



RECOMMENDED PCB LAYOUT (TOP VIEW)

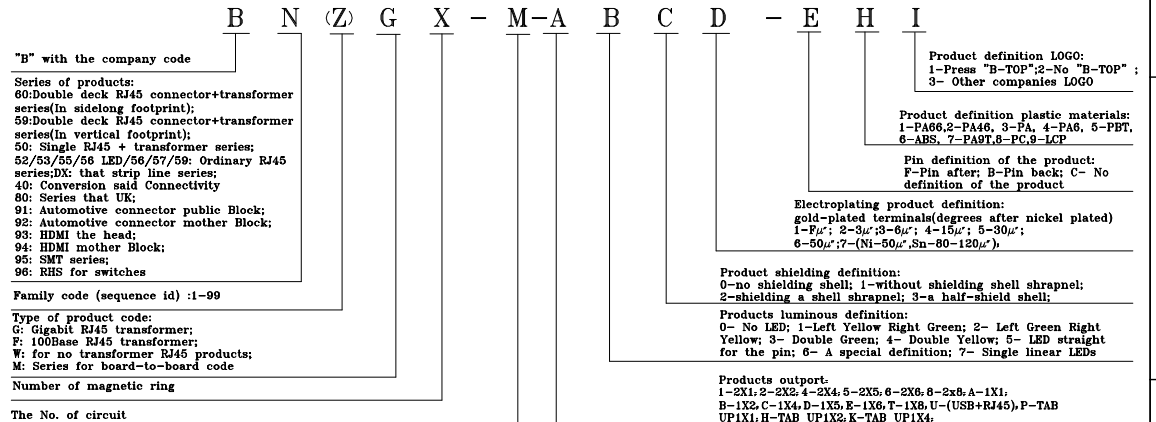
T=1.60 TOLERANCES:±0.05



Standard LED Color	LED Wavelength	Forward (V MAX)	Typical (V TYP)	Luminous Intensity
Green	560-580nm	2.5V	2.1-2.2V	9-25MCD
Yellow	580-590nm	2.5V	2.1-2.2V	9-30MCD
Orange	590-610nm	2.5V	2.1-2.2V	20-100MCD

LED Specification

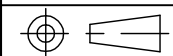
5.ORDER INFORMATION



**B-TOP** 东莞市博腾电子科技有限公司  
 Dongguan BtopTech Electronic Technology Co., Ltd.

TITLE: B50(250-01)S8-214-P213-C92  
 PART NO.: TAB-UP213/23G BASE W/SHIELD W/LED (5PIN 2X2)

DIM. TOL.  
 X ±0.30  
 X.X ±0.20  
 X.XX ±0.15  
 X.XXX ±0.10  
 GENERAL ANGLE: ±3°



UNIT: mm  
 SCALE: 1:1  
 SHEET: 2 of 2  
 DWG. SIZE: A4  
 LAYER: XXXX

WEBSITE: WWW.BTOPTECH.COM  
 WWW.BTOPTECH.CN  
 TEL: 0769-38928198  
 FAX: 0769-38928199

DRAWN:  
 CHECKED:  
 APPROVED:

REV.	DESCRIPTION	ECN NO.	NAME	DATE
XA	NEW RELEASE	xxxx	Jason	2017-Dec-22

REVISIONS