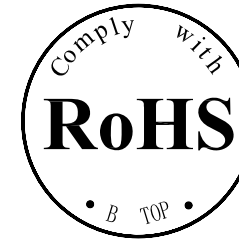
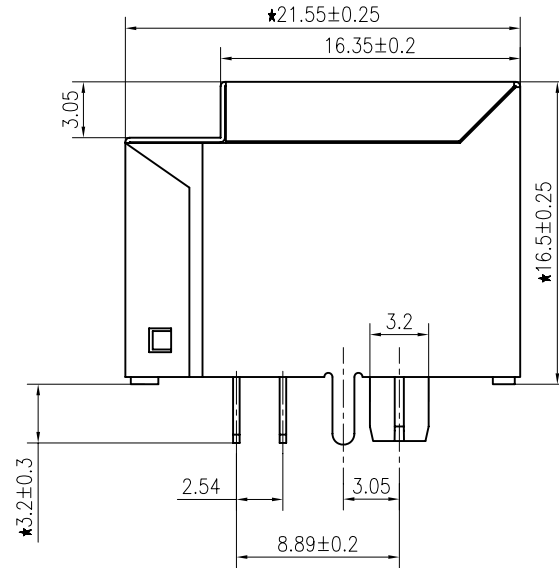
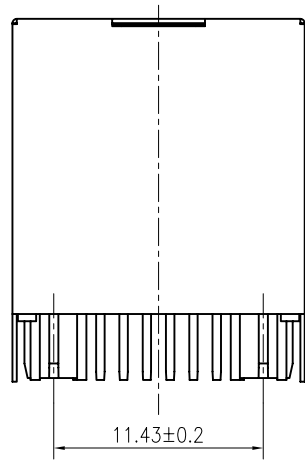


1

2

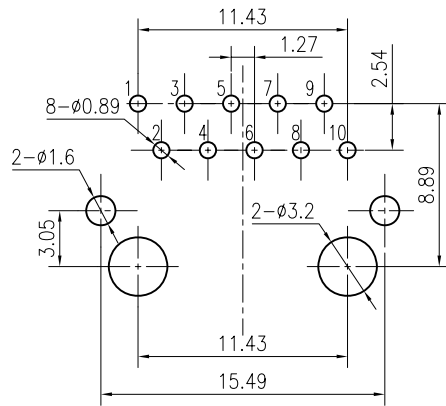
A

A

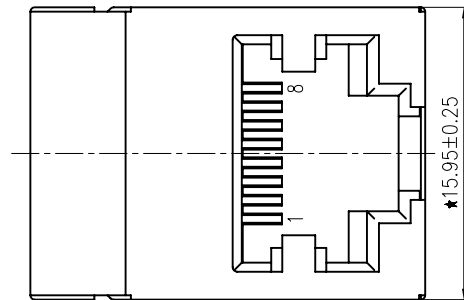


B

B



PCB BOARD LAYOUT



Specification:

1:TOLERANCES UNLESS OTHERWISE SPECIFIED :
 0~10±0.15, 10~20±0.2, 20~40±0.25,
 40~70±0.3, ≥70±0.4

2:JACK CAVITY CONFORMS TO FCC RULES AND REGULATIONS,PART 68 SUBPART F.

B-TOP® 东莞市博腾电子科技有限公司
 Dongguan BroadTop Electronic Technology Co., Ltd.

Designed

MATERIAL

DESCRIPTION

B50(660-09)PF4-147-A013-B12(5224-C 1X1)

Checked

SCALE

2.5:1

UNIT

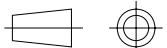
mm

MODEL NO.

REV.

V1.0

FIRST ANGLE PROJECTION

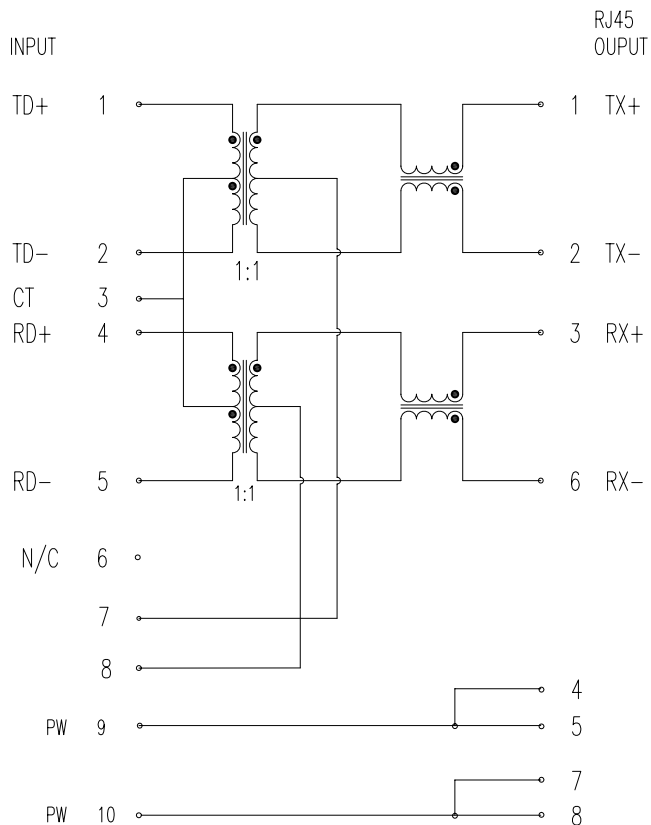


TEL: 0769-38926198
 FAX: 0769-38926199
 Website: www.BtopTech.cn
 www.BtopTech.com

20161019

1

2



DESCRIPTION

ELECTRICAL: RJ45 With internal Magnetics Connector
 Design to support such applications as: Ethernet Equipment Complex, Switches, Routers, Firewalls, Servers and Hub
 Internal magnetics are 100% electrically tested for functionality per IEEE802.3af/at requirement
 RoHS peak wave solder temperature rating 235°C
 High performance for maximum EMI suppression
 350uH minimum OCL with 8mA bias current; DCR: 1.4 Ohms Max
 HIPOT: 1.5KVrms MIN, 60S; TURN RATIO: 1:1±3%
 PoE rating: 15W 350mA, 48V; PoE+ rating: 30W, 750mA, 57V; PoE++ rating: 60W, 1000mA, 57V (For PoE Products only)
 JACK CAVITY CONFORMS TO FCC RULES AND REGULATIONS, PART 68 SUBPART F.

Surge Protection:

- TEC 6100-4-5(L-L 1kV Criteion B)
- TEC 6100-4-5(L-L 2kV Criteion C)
- TEC 6100-4-5(L-G 4kV Criteion B)
- TEC 6100-4-5(L-G 6kV Criteion C)

MECHANICAL: JACK CAVITY CONFORMS TO FCC RULES AND REGULATIONS, PART 68 SUBPART F.

INSERTION FORCE: 8 CONTACTS--900g, 10 CONTACTS--1050g
 RETENTION STRENGTH: 7.7Kgs BETWEEN JACK AND PLUG
 DURABILITY: 750 MATING CYCLES Mini

- MATERIAL:** HOUSING:
- 1) GLASS FILLED PA66 (UL 94V-0)
 - 2) GLASS FILLED PA46/PA6T/PA9T/LCP<265°C> (UL 94V-0)
 - 3) GLASS FILLED PBT/PA/ABS/PC (UL 94V-0)

SPRING WIRE: 0.25-0.35mm THICKNESS PHOSPHOR BRONZE ALLOY SELECTIVE GOLD PLATING OVER NICKEL<50-80μ">
 OVER TIN<60-120μ">

GOLD PLATING: 3μ", 6μ", 15μ", 30μ", 50μ"

Signal pin: 0.35*0.42mm(OR:0.4*0.4mm) THICKNESS COPPER ALLOY WITH BOTTOM LAYER NI 30~50U" OVER BRIGHT TIN 60~120U"

SHIELDING: 0.2-0.24mm THICKNESS COPPER ALLOY WITH NICKEL<50-100μ"> PLATED

Storage: -40°C~85°C Relative Humidity<70%

Operating: 0°C~70°C



ELECTRICAL SPECIFICATIONS AT 25 ° C

Insertion Loss dB max	Return Loss dB min		Crosstalk(db TYP)	Common Mode Rejection (dB TYP)	Hipot(vrms)
	1-30MHz	30- 80MHz			
1-125MHz	1-30MHz	30- 80MHz	1- 100MHz	1-100MHz	
-1.2	-18	-18+20log(f/30MHz)	-30	-30	1500/0.5mA OR 2250DC/0.1mA

B N (Z) G X - M - A B C D - E H I

"B" with the company code
 Series of products: 00: Double deck RJ45 connector + transformer series (in sidelong footprint); 59: Double deck RJ45 connector + transformer series (in vertical footprint); 50: Single RJ45 + transformer series; 52/53/55/56 LED/56/57/59: Ordinary RJ45 series; 00: that strip line series; 40: Conversion said Connectivity; 80: Series that UK; 91: Automotive connector public Block; 92: Automotive connector mother Block; 93: HDMI the head; 94: HDMI mother Block; 95: SMT series; 96: BHS for switches

Family code (sequence id): 1-99
 Type of product code: G: Gigabit RJ45 transformer; F: 100Base RJ45 transformer; E: for no transformer RJ45 products; W: Series for board-to-board code

Number of magnetic ring
 The No. of circuit

Product definition LOGO: 1 - Press "B-TOP"; 2 - No "B-TOP"; 3 - Other companies LOGO

Product definition plastic materials: 1-PA66, 2-PA46, 3-PA, 4-PA6, 5-PBT, 6-ABS, 7-PA9T, 8-PC, 9-LCP

Pin definition of the product: F-Pin after; B-Pin back; C- No definition of the product

Electroplating product definition: gold-plated terminals (degrees after nickel plated); 1-F; 2-2.5 μ"; 3-6 μ"; 4-15 μ"; 5-30 μ"; 6-50 μ"; 7-100 μ"; 8-50-120 μ"; 9-

Product shielding definition: 0 - no shielding shell; 1 - without shielding shell shrapnel; 2 - shielding a shell shrapnel; 3 - a half-shield shell;

Products luminous definition: 0 - No LED; 1 - Left Yellow Right Green; 2 - Left Green Right Yellow; 3 - Double Green; 4 - Double Yellow; 5 - LED straight for the pin; 6 - A special definition; 7 - Single linear LEDs

Products out part: 1-241 2-292 3-204 4-204 5-205 6-205 7-205 8-205 9-101 10-102 11-104 12-105 13-105 14-105 15-105 16-105 17-105 18-105 19-105 20-105 21-105 22-105 23-105 24-105 25-105 26-105 27-105 28-105 29-105 30-105 31-105 32-105 33-105 34-105 35-105 36-105 37-105 38-105 39-105 40-105 41-105 42-105 43-105 44-105 45-105 46-105 47-105 48-105 49-105 50-105 51-105 52-105 53-105 54-105 55-105 56-105 57-105 58-105 59-105 60-105 61-105 62-105 63-105 64-105 65-105 66-105 67-105 68-105 69-105 70-105 71-105 72-105 73-105 74-105 75-105 76-105 77-105 78-105 79-105 80-105 81-105 82-105 83-105 84-105 85-105 86-105 87-105 88-105 89-105 90-105 91-105 92-105 93-105 94-105 95-105 96-105 97-105 98-105 99-105 100-105 101-105 102-105 103-105 104-105 105-105 106-105 107-105 108-105 109-105 110-105 111-105 112-105 113-105 114-105 115-105 116-105 117-105 118-105 119-105 120-105 121-105 122-105 123-105 124-105 125-105 126-105 127-105 128-105 129-105 130-105 131-105 132-105 133-105 134-105 135-105 136-105 137-105 138-105 139-105 140-105 141-105 142-105 143-105 144-105 145-105 146-105 147-105 148-105 149-105 150-105 151-105 152-105 153-105 154-105 155-105 156-105 157-105 158-105 159-105 160-105 161-105 162-105 163-105 164-105 165-105 166-105 167-105 168-105 169-105 170-105 171-105 172-105 173-105 174-105 175-105 176-105 177-105 178-105 179-105 180-105 181-105 182-105 183-105 184-105 185-105 186-105 187-105 188-105 189-105 190-105 191-105 192-105 193-105 194-105 195-105 196-105 197-105 198-105 199-105 200-105 201-105 202-105 203-105 204-105 205-105 206-105 207-105 208-105 209-105 210-105 211-105 212-105 213-105 214-105 215-105 216-105 217-105 218-105 219-105 220-105 221-105 222-105 223-105 224-105 225-105 226-105 227-105 228-105 229-105 230-105 231-105 232-105 233-105 234-105 235-105 236-105 237-105 238-105 239-105 240-105 241-105 242-105 243-105 244-105 245-105 246-105 247-105 248-105 249-105 250-105 251-105 252-105 253-105 254-105 255-105 256-105 257-105 258-105 259-105 260-105 261-105 262-105 263-105 264-105 265-105 266-105 267-105 268-105 269-105 270-105 271-105 272-105 273-105 274-105 275-105 276-105 277-105 278-105 279-105 280-105 281-105 282-105 283-105 284-105 285-105 286-105 287-105 288-105 289-105 290-105 291-105 292-105 293-105 294-105 295-105 296-105 297-105 298-105 299-105 300-105 301-105 302-105 303-105 304-105 305-105 306-105 307-105 308-105 309-105 310-105 311-105 312-105 313-105 314-105 315-105 316-105 317-105 318-105 319-105 320-105 321-105 322-105 323-105 324-105 325-105 326-105 327-105 328-105 329-105 330-105 331-105 332-105 333-105 334-105 335-105 336-105 337-105 338-105 339-105 340-105 341-105 342-105 343-105 344-105 345-105 346-105 347-105 348-105 349-105 350-105 351-105 352-105 353-105 354-105 355-105 356-105 357-105 358-105 359-105 360-105 361-105 362-105 363-105 364-105 365-105 366-105 367-105 368-105 369-105 370-105 371-105 372-105 373-105 374-105 375-105 376-105 377-105 378-105 379-105 380-105 381-105 382-105 383-105 384-105 385-105 386-105 387-105 388-105 389-105 390-105 391-105 392-105 393-105 394-105 395-105 396-105 397-105 398-105 399-105 400-105 401-105 402-105 403-105 404-105 405-105 406-105 407-105 408-105 409-105 410-105 411-105 412-105 413-105 414-105 415-105 416-105 417-105 418-105 419-105 420-105 421-105 422-105 423-105 424-105 425-105 426-105 427-105 428-105 429-105 430-105 431-105 432-105 433-105 434-105 435-105 436-105 437-105 438-105 439-105 440-105 441-105 442-105 443-105 444-105 445-105 446-105 447-105 448-105 449-105 450-105 451-105 452-105 453-105 454-105 455-105 456-105 457-105 458-105 459-105 460-105 461-105 462-105 463-105 464-105 465-105 466-105 467-105 468-105 469-105 470-105 471-105 472-105 473-105 474-105 475-105 476-105 477-105 478-105 479-105 480-105 481-105 482-105 483-105 484-105 485-105 486-105 487-105 488-105 489-105 490-105 491-105 492-105 493-105 494-105 495-105 496-105 497-105 498-105 499-105 500-105 501-105 502-105 503-105 504-105 505-105 506-105 507-105 508-105 509-105 510-105 511-105 512-105 513-105 514-105 515-105 516-105 517-105 518-105 519-105 520-105 521-105 522-105 523-105 524-105 525-105 526-105 527-105 528-105 529-105 530-105 531-105 532-105 533-105 534-105 535-105 536-105 537-105 538-105 539-105 540-105 541-105 542-105 543-105 544-105 545-105 546-105 547-105 548-105 549-105 550-105 551-105 552-105 553-105 554-105 555-105 556-105 557-105 558-105 559-105 560-105 561-105 562-105 563-105 564-105 565-105 566-105 567-105 568-105 569-105 570-105 571-105 572-105 573-105 574-105 575-105 576-105 577-105 578-105 579-105 580-105 581-105 582-105 583-105 584-105 585-105 586-105 587-105 588-105 589-105 590-105 591-105 592-105 593-105 594-105 595-105 596-105 597-105 598-105 599-105 600-105 601-105 602-105 603-105 604-105 605-105 606-105 607-105 608-105 609-105 610-105 611-105 612-105 613-105 614-105 615-105 616-105 617-105 618-105 619-105 620-105 621-105 622-105 623-105 624-105 625-105 626-105 627-105 628-105 629-105 630-105 631-105 632-105 633-105 634-105 635-105 636-105 637-105 638-105 639-105 640-105 641-105 642-105 643-105 644-105 645-105 646-105 647-105 648-105 649-105 650-105 651-105 652-105 653-105 654-105 655-105 656-105 657-105 658-105 659-105 660-105 661-105 662-105 663-105 664-105 665-105 666-105 667-105 668-105 669-105 670-105 671-105 672-105 673-105 674-105 675-105 676-105 677-105 678-105 679-105 680-105 681-105 682-105 683-105 684-105 685-105 686-105 687-105 688-105 689-105 690-105 691-105 692-105 693-105 694-105 695-105 696-105 697-105 698-105 699-105 700-105 701-105 702-105 703-105 704-105 705-105 706-105 707-105 708-105 709-105 710-105 711-105 712-105 713-105 714-105 715-105 716-105 717-105 718-105 719-105 720-105 721-105 722-105 723-105 724-105 725-105 726-105 727-105 728-105 729-105 730-105 731-105 732-105 733-105 734-105 735-105 736-105 737-105 738-105 739-105 740-105 741-105 742-105 743-105 744-105 745-105 746-105 747-105 748-105 749-105 750-105 751-105 752-105 753-105 754-105 755-105 756-105 757-105 758-105 759-105 760-105 761-105 762-105 763-105 764-105 765-105 766-105 767-105 768-105 769-105 770-105 771-105 772-105 773-105 774-105 775-105 776-105 777-105 778-105 779-105 780-105 781-105 782-105 783-105 784-105 785-105 786-105 787-105 788-105 789-105 790-105 791-105 792-105 793-105 794-105 795-105 796-105 797-105 798-105 799-105 800-105 801-105 802-105 803-105 804-105 805-105 806-105 807-105 808-105 809-105 810-105 811-105 812-105 813-105 814-105 815-105 816-105 817-105 818-105 819-105 820-105 821-105 822-105 823-105 824-105 825-105 826-105 827-105 828-105 829-105 830-105 831-105 832-105 833-105 834-105 835-105 836-105 837-105 838-105 839-105 840-105 841-105 842-105 843-105 844-105 845-105 846-105 847-105 848-105 849-105 850-105 851-105 852-105 853-105 854-105 855-105 856-105 857-105 858-105 859-105 860-105 861-105 862-105 863-105 864-105 865-105 866-105 867-105 868-105 869-105 870-105 871-105 872-105 873-105 874-105 875-105 876-105 877-105 878-105 879-105 880-105 881-105 882-105 883-105 884-105 885-105 886-105 887-105 888-105 889-105 890-105 891-105 892-105 893-105 894-105 895-105 896-105 897-105 898-105 899-105 900-105 901-105 902-105 903-105 904-105 905-105 906-105 907-105 908-105 909-105 910-105 911-105 912-105 913-105 914-105 915-105 916-105 917-105 918-105 919-105 920-105 921-105 922-105 923-105 924-105 925-105 926-105 927-105 928-105 929-105 930-105 931-105 932-105 933-105 934-105 935-105 936-105 937-105 938-105 939-105 940-105 941-105 942-105 943-105 944-105 945-105 946-105 947-105 948-105 949-105 950-105 951-105 952-105 953-105 954-105 955-105 956-105 957-105 958-105 959-105 960-105 961-105 962-105 963-105 964-105 965-105 966-105 967-105 968-105 969-105 970-105 971-105 972-105 973-105 974-105 975-105 976-105 977-105 978-105 979-105 980-105 981-105 982-105 983-105 984-105 985-105 986-105 987-105 988-105 989-105 990-105 991-105 992-105 993-105 994-105 995-105 996-105 997-105 998-105 999-105 1000-105

B-TOP® 东莞市博腾电子科技有限公司
 Dongguan BroadTop Electronic Technology Co., Ltd.

Designed		MATERIAL		DESCRIPTION	
Checked		SCALE	1.8:1	UNIT	mm
Approved		MODEL NO.			

BT PF4-147 HD01 POE

B80010014711

REV.