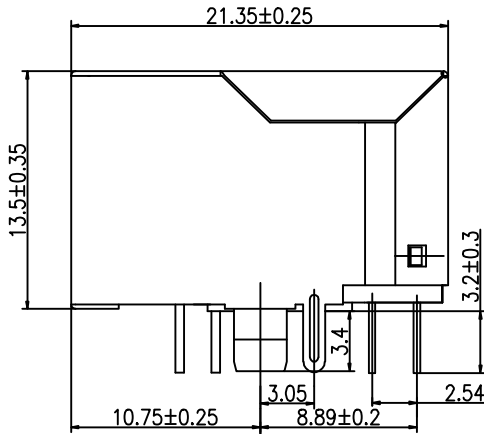
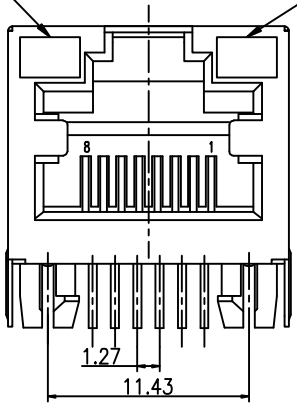




LIFT LED GREEN      RIGHT LED YELLOW



**DESCRIPTION:**  
 RJ45 With internal Magnetics Connector  
 Designed to support such applications as: Ethernet Equipment Complex, Switches, Routers, Firewalls, Servers and Hub  
 Internal magnetics are 100% electrically tested for functionality per IEEE802.3af/at requirement

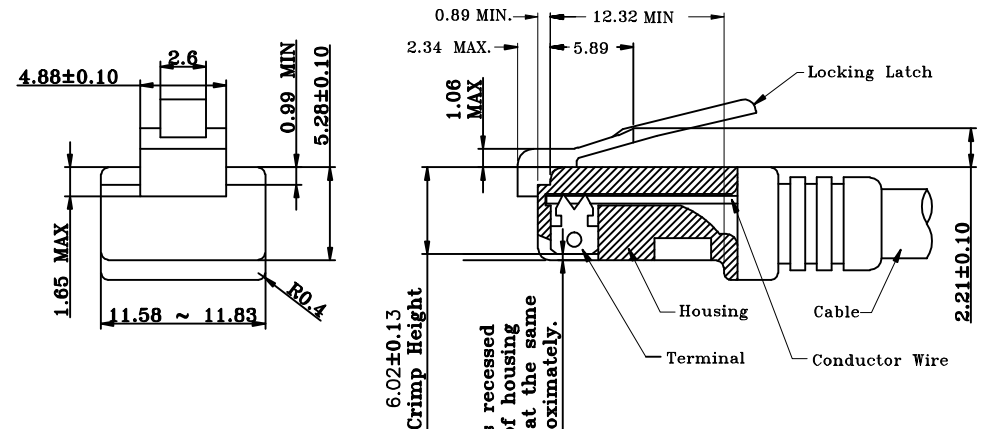
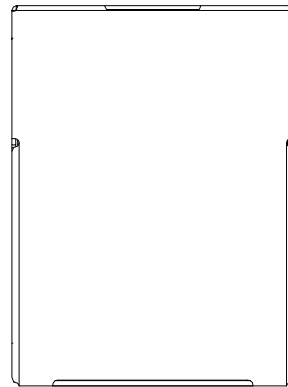
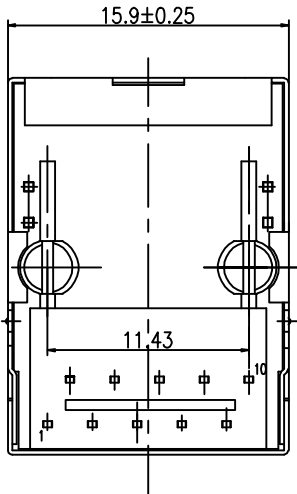
**ELECTRICAL:**  
 RoHS peak wave solder temperature rating 235°C  
 High performance for maximum EMI suppression  
 JACK CAVITY CONFORMS TO FCC RULES AND REGULATIONS, PART 68 SUBPART F.

**INSERTION FORCE:**  
 2 CONTACTS----350g    4 CONTACTS----500g  
 6 CONTACTS----750g    8 CONTACTS----900g  
 10 CONTACTS----1050g

**MECHANICAL:**  
 RETENTION STRENGTH: 7.7Kgs BETWEEN JACK AND PLUG  
 DURABILITY: 750 MATING CYCLES Mini  
 HOUSING: 1) GLASS FILLED PBT (UL 94V-0)  
 2) GLASS FILLED PBT (UL 94V-0)

**MATERIAL:**  
 SPRING WIRE:  
 1) 0.2-0.45mm DIA PHOSPHOR BRONZE GOLD PLATING OVER NICKEL  
 2) 0.2-0.35mm THICKNESS PHOSPHOR BRONZE ALLOY SELECTIVE GOLD PLATING OVER NICKEL;  
 GOLD PLATING: 3μ#, 6μ#, 15μ#, 30μ#, 50μ#  
 TOLERANCES UNLESS OTHERWISE SPECIFIED :  
 0-10±0.15, 10-20±0.2, 20-40±0.25, 40-70±0.3, ≥70±0.4

1. Recommend Plug Dim



All contacts recessed below top of housing and must be at the same height approximately.

All dimensions follow :  
 FCC subpart F, 68,500, Figure (C)(2)(i)  
 IEC 60603-7  
 STANDARD MODULAR PLUG ASSEMBLY

NOTES : 1. Tolerance : PCB ±0.05mm  
 Connector ±0.25mm  
 2. Connector dimensions comply with FCC 68.5 dimension requirements

**B-TOP** 东莞市博腾电子科技有限公司  
 Dongguan BtopTech Electronic Technology Co., Ltd.

**DIM. TOL.**  
 X ±0.30  
 X.X ±0.20  
 X.XX ±0.15  
 X.XXX ±0.10

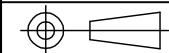
**GENERAL ANGLE:**  
 ±3°

**UNIT:** mm  
**SCALE:** 1:1  
**SHEET:** 1 of 2  
**DWG. SIZE:** A4  
**LAYER:** XXXX

**WEBSITE:** WWW.BTOPTECH.COM  
 WWW.BTOPTECH.CN  
**TEL:** 0769-38928198  
**FAX:** 0769-38928199

**DRAWN:**  
**CHECKED:**  
**APPROVED:**

**TITLE:** B50S(28-52)G8-244-P223-B52  
**PART NO.:** TAB-UP21.6 10/100/1000BASE W/ SHELL W/ LED



XA	NEW RELEASE	xxxx	Jason	2018-Apr-17
REV.	DESCRIPTION	ECN NO.	NAME	DATE

REVISIONS

Meets or exceeds IEEE 802.3 standard for 10/100/1000 Base-T  
 350 uH minimum OCL with 8mA DC bias current  
 Available with or without LEDs  
 Minimum 1500Vrms isolation per IEEE802.3 requirement  
 Operating temperature -40°C to +85°C  
 Storage temperature -40°C to +85°C

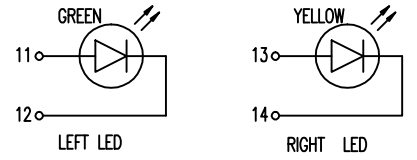
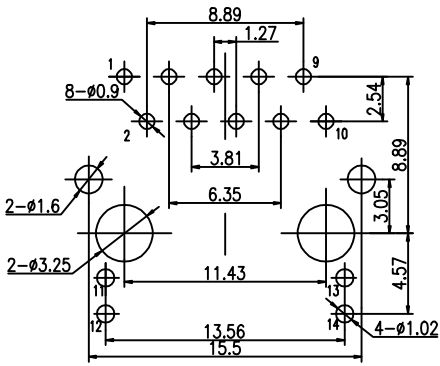
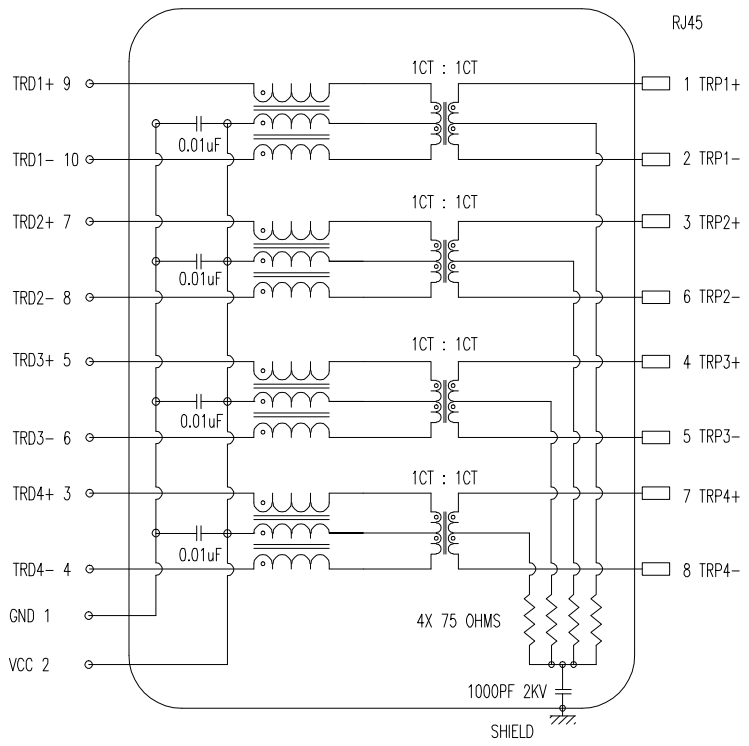
4.Pin Assignment For PCB Layout



2.TRANSFORMER ELECTRICAL SPECIFICATIONS AT 25°C;

Insertion Loss (dB max.)	Return Loss (dB min.)				Cross talk (dB min.)			C.M.R. (dB min.)		Hi - pot (Vrms)
1-125MHz	1-30 MHz	30-60 MHz	60-80 MHz	80-100 MHz	1-30 MHz	30-60 MHz	60-100 MHz	10-60 MHz	60-100 MHz	60Hz/1min.
-1.2	-18	-16	-12	-10	-40	-35	-30	-40	-30	1500

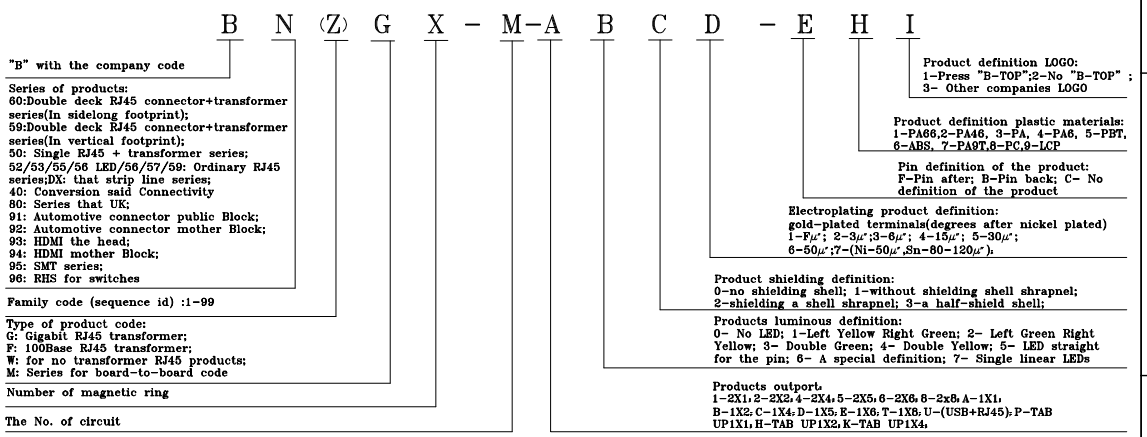
3.SCHEMATIC:



Standard LED Color	LED Wavelength	Forward (V MAX)	Typical (V TYP)	Luminous Intensity
Green	560-580nm	2.5V	2.1-2.2V	9-25MCD
Yellow	580-610nm	2.5V	2.1-2.2V	9-30MCD

LED Specification

5.ORDER INFORMATION



**B-TOP** 东莞市博腾电子科技有限公司  
 Dongguan BtopTech Electronic Technology Co., Ltd.

DIM. TOL.  
 X ±0.30  
 X.X ±0.20  
 X.XX ±0.15  
 X.XXX ±0.10  
 GENERAL ANGLE:  
 ±3°

UNIT: mm  
 SCALE: 1:1  
 SHEET: 2 of 2  
 DWG. SIZE: A4  
 LAYER: XXXX

WEBSITE: WWW.BTOPTECH.COM  
 WWW.BTOPTECH.CN  
 TEL: 0769-38928198  
 FAX: 0769-38928199

TITLE: B50S(28-52)G8-244-P223-B52  
 PART NO.: TAB-UP21.6 10/100/1000BASE W/ SHELL W/ LED

REV.	DESCRIPTION	ECN NO.	NAME	DATE
XA	NEW RELEASE	xxxx	Jason	2018-Apr-19

REVISIONS