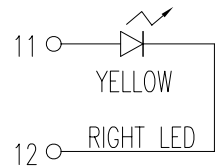
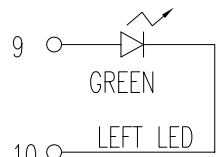


1

2

### LED Specification

Standard LED Color	LED Wavelength	Forward (V MAX)	Typical (V TYP)	Luminous Intensity
Green	560-580 nm	2.5V	2.1-2.2V	9-25 MCD
Yellow	580-610 nm	2.5V	2.1-2.2V	9-30 MCD
Orange	580-610 nm	2.5V	2.1-2.2V	50-100 MCD



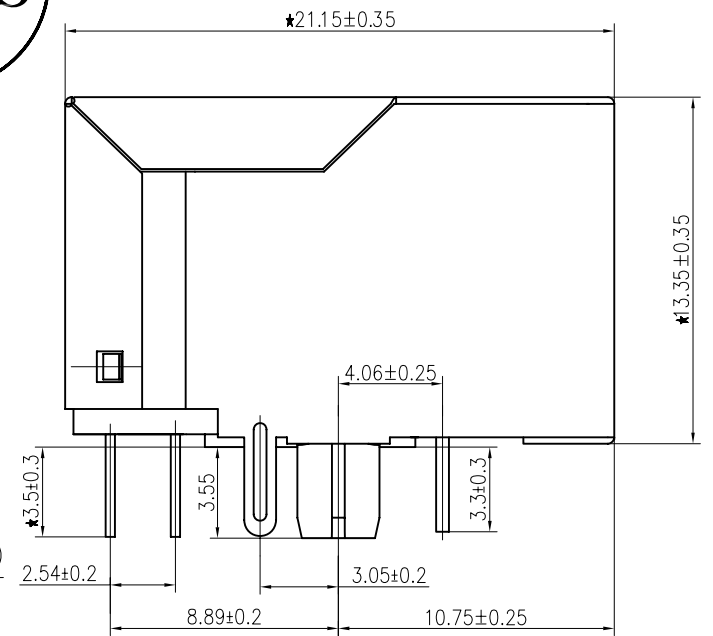
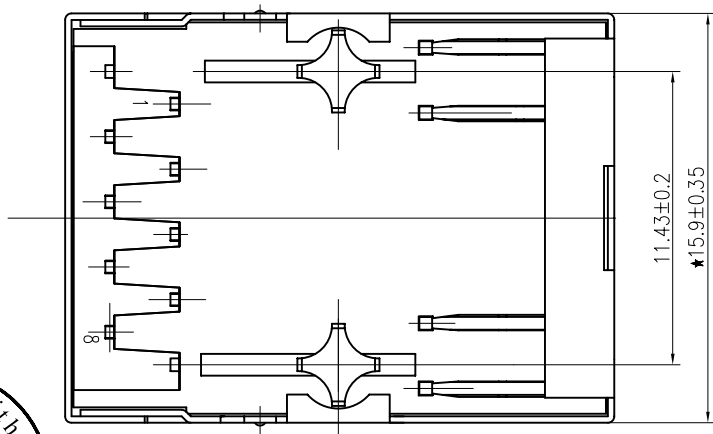
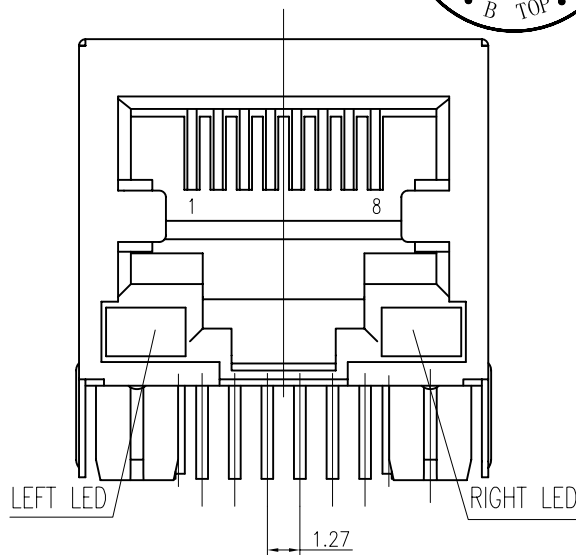
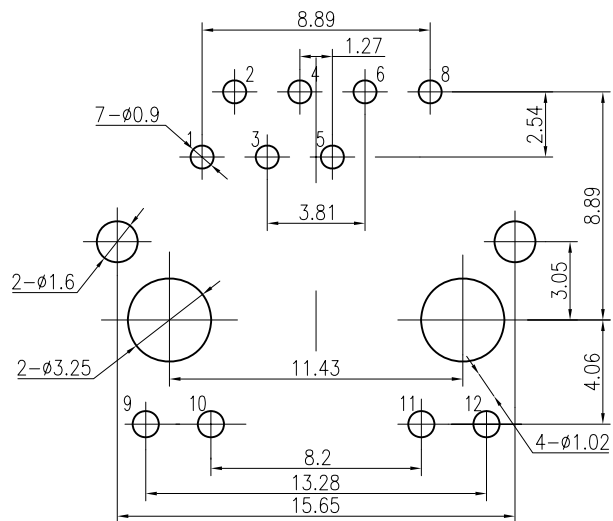
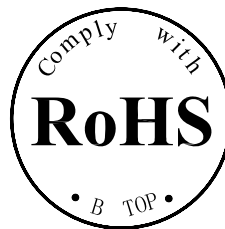
- LED intensity/wavelength measured with Photo Research PR-650 Colormeter
- With a forward current of 20 mA, Absolute Maximum Ratings (Ta=25°C)

Specification:

1:TOLERANCES UNLESS OTHERWISE SPECIFIED :

0~10±0.15, 10~20±0.2, 20~40±0.25, 40~70±0.3, ≥70±0.4

2:JACK CAVITY CONFORMS TO FCC RULES AND



**B-TOP®** 东莞市博腾电子科技有限公司  
Dongguan BroadTop Electronic Technology Co., Ltd.

Designed

MATERIAL

DESCRIPTION

B50(27-99)F4-03B-A213-B52(1X1 B Φ4.06LED G-Y 7脚)

Checked

SCALE

3.5:1

UNIT

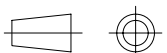
mm

MODEL NO.

REV.

V1.1

FIRST ANGLE PROJECTION

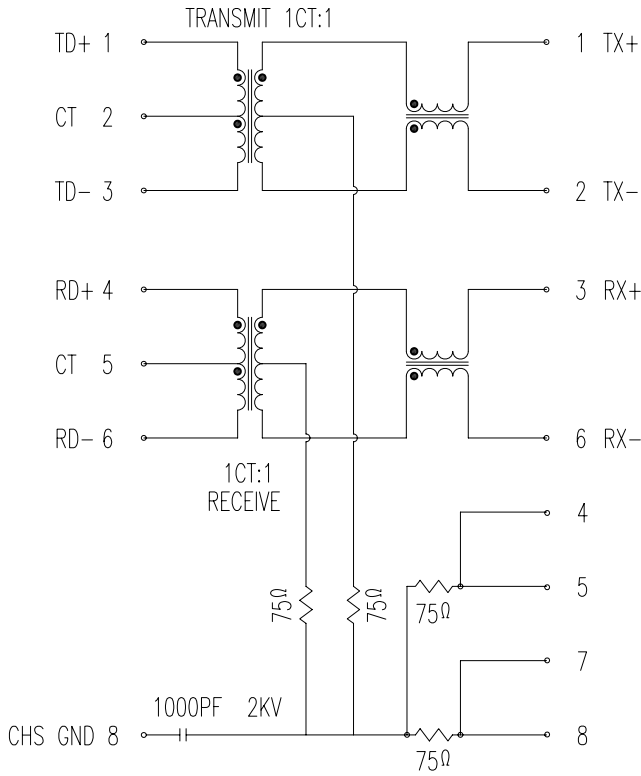


TEL: 0769-38926198  
FAX: 0769-38926199  
Website: www.BtopTech.com

20171118

1

2

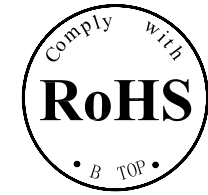


DESCRIPTION

**ELECTRICAL:** RJ45 With internal Magnetics Connector  
 Designe to support such applications as:Ethernet Equipment Complex,Switches,Routers,Firewalls,Servers and Hub  
 Internal magnetics are 100% electrically tested for functionality per IEEE802.3 requirement  
 OCL:100KHz 100mV 8mA 350uH Min; TURNS RATIO:10KHz 1V TRD1/2/3/4 1CT:1CT ±2%  
 HI-POT:IN PUT TO OUT PUT 2250V DC 60Sec; OUT PUT TO SHIELD 2250V DC 60Sec  
 RoHS peak wave solder temperature rating 260<sup>o</sup> 5sec

**MECHANICAL:** JACK CAVITY CONFORMS TO FCC RULES AND REGULATIONS,PART 68 SUBPART F.  
 INSERTION FORCE: 8 CONTACTS--900g,10 CONTACTS--1050g  
 RETENTION STRENGTH: 7.7Kgs BETWEEN JACK AND PLUG  
 DURABILITY: 750 MATING CYCLES Mini

**MATERIAL:** HOUSING: 1) GLASS FILLED PA66 (UL 94V-0)  
 2) GLASS FILLED PA46/PA6T/PA9T/LCP<265<sup>o</sup>> (UL 94V-0)  
 3) GLASS FILLED PBT/PA/ABS/PC (UL 94V-0)  
 SPRING WIRE: 0.25-0.35mm THICKNESS PHOSPHOR BRONZE ALLOY ;BOTTOM LAYER NICKEL (30-50<sup>u</sup>\*)  
 BETWEEN RRIGHT TIN (60-120<sup>u</sup>\*) ;OVER SELECTIVE GOLD PLATING  
 GOLD PLATING: 3<sup>u</sup> , 6<sup>u</sup> , 15<sup>u</sup> , 30<sup>u</sup> , 50<sup>u</sup>  
 Signal pin: 0.4\*0.4 THICKNESS COPPER ALLOY WITH BOTTOM LAYER NI 30~50<sup>u</sup>" OVER BRIGHT TIN 60~120<sup>u</sup>"  
 SHIELDING: 0.2-0.24mm THICKNESS COPPER ALLOY WITH HALF BRIGHT NICKEL (50-100<sup>u</sup>\*) PLATED  
 Storage: -40<sup>o</sup>~85<sup>o</sup> Relative Humidity<70%  
 Operating: -40<sup>o</sup>~85<sup>o</sup>



ELECTRICAL SPECIFICATIONS AT 25<sup>o</sup>C

Insertion Loss dB max	Return Loss dB min		Crosstalk(db TYP)	Common Mode Rejection (dB TYP)	Hipot(vrms)
1-125MHz	1-30MHz	30- 80MHz	1- 100MHz	1-100MHz	
-1.2	-18	-18+20log(f/30MHz)	-30	-30	1500/0.5mA OR 2250DC/0.1mA

**B N (Z) G X - M - A B C D - E H I**

"B" with the company code

Series of products: 60:Double deck RJ45 connector + transformer series(In sidelong footprint); 59:Double deck RJ45 connector + transformer series(In vertical footprint);50: Single RJ45 + transformer series;52/53/55/56 LED/56/57/59: Ordinary RJ45 series;DX: that strip line series; 40: Conversion said Connectivity 80: Series that UK; 91: Automotive connector public Block;92: Automotive connector mother Block; 93: HDMI the head;94: HDMI mother Block; 95: SWI series; 96: RIS for switches

**Family code (sequence id) :1-99**

Type of product code: G: Gigabit RJ45 transformer; F: 100base RJ45 transformer; W:for no transformer RJ45 products; M: Series for board-to-board code

**Number of magnetic ring**  
 The No. of circuit

Product definition LOGO: 1 - Press "B" TOP ;2- No "B" TOP"; 3- Other companies LOGO

Product definition plastic materials: 1-PA66,2-PA46, 3-PA, 4-PA6, 5-PBT, 6-ABS, 7-PA9T,8-PC,9-LCP

Pin definition of the product:F-Pin after; B-Pin back; C- No definition of the product

Electroplating product definition: gold-plated terminals(degrees after nickel plated) 1-F<sup>u</sup> ; 2-3<sup>u</sup> ; 3-6<sup>u</sup> ; 4-15<sup>u</sup> ; 5-30<sup>u</sup> ; 6-50<sup>u</sup> ; 7-(Ni-50<sup>u</sup> ; Sn-80-120<sup>u</sup> ) ;

Product shielding definition: 0 - no shielding shell; 1 - without shielding shell shrapnel; 2 - shielding a shell shrapnel; 3 - a half-shield shell;

Products luminous definition: 0 - No LED; 1-Left Yellow Right Green; 2 - Left Green Right Yellow; 3 - Double Green; 4 - Double Yellow; 5 - LED straight for the pin; 6 - A special definition;7 - Single linear LEDs

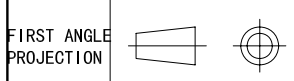
Products out port: "1-2X1" 2-2X2" 4-2X4" 5-2X5" 6-2X6" 8-2x8" A-1X1" B-1X2" C-1X4" D-1X5 " E-1X6" F-1X8" U-(USB+RJ45) " P-TAB UP1X1" H-TAB UP1X2" K-TAB UP1X4"

**B-TOP<sup>®</sup>** 东莞市博腾电子科技有限公司  
 Dongguan BroadTop Electronic Technology Co., Ltd.

Designed  
 Checked  
 Approved

MATERIAL  
 SCALE 1.8:1 UNIT mm MODEL NO.

DESCRIPTION  
 BT F4-03B(-40-+85<sup>o</sup>)  
 REV. 1.1



TEL: 0769-38926198  
 FAX: 0769-38926199  
 Website: www.BtopTech.cn  
 www.BtopTech.com