



**DESCRIPTION:**  
 RJ45 With internal Magnetics Connector  
 Designed to support such applications as: Ethernet Equipment Complex, Switches, Routers, Firewalls, Servers and Hub  
 Internal magnetics are 100% electrically tested for functionality per IEEE802.3af/at requirement

**ELECTRICAL:**  
 RoHS peak wave solder temperature rating 235°C  
 High performance for maximum EMI suppression  
 JACK CAVITY CONFORMS TO FCC RULES AND REGULATIONS, PART 68 SUBPART F.

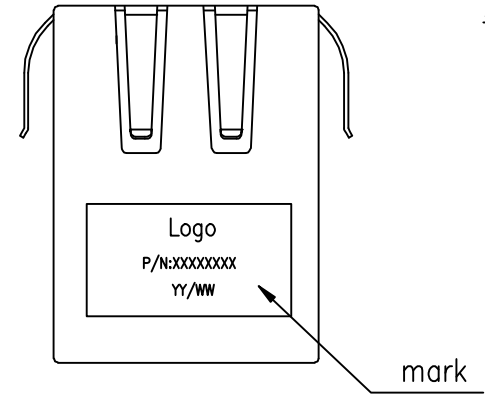
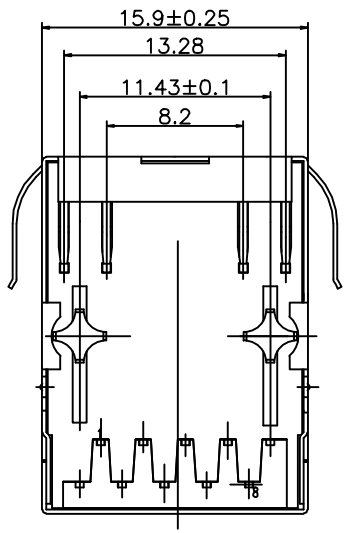
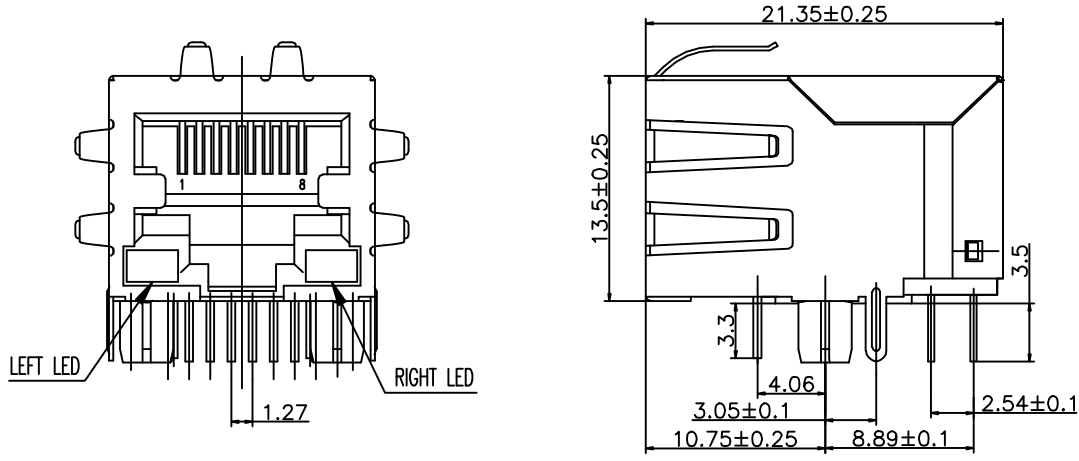
**INSERTION FORCE:**  
 2 CONTACTS----350g 4 CONTACTS----500g  
 6 CONTACTS----750g 8 CONTACTS----900g  
 10 CONTACTS----1050g

**MECHANICAL:**  
 RETENTION STRENGTH: 7.7Kgs BETWEEN JACK AND PLUG  
 DURABILITY: 750 MATING CYCLES Mini

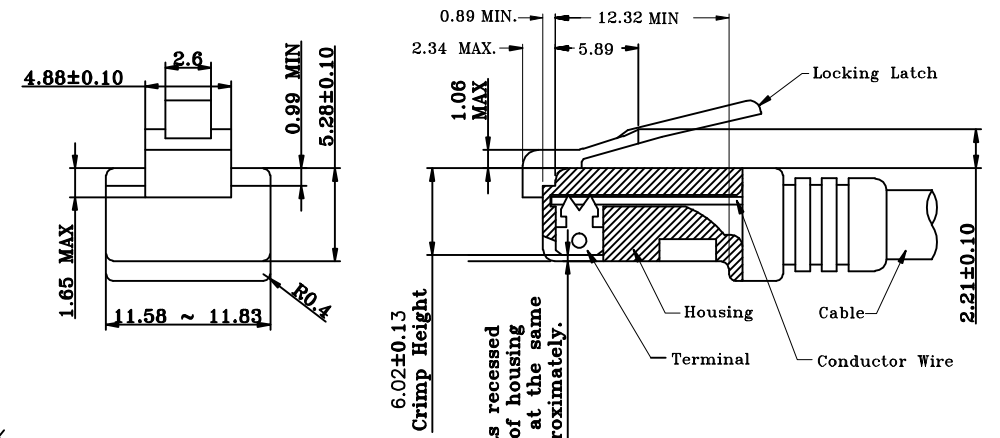
**HOUSING:** 1) GLASS FILLED PA66 (UL 94V-0)  
 2) GLASS FILLED PA46/LCP (UL 94V-0)  
 3) GLASS FILLED PBT (UL 94V-0)

**MATERIAL:**  
 SPRING WIRE: 1) 0.2-0.45mm DIA PHOSPHOR BRONZE GOLD PLATING OVER NICKEL  
 2) 0.2-0.35mm THICKNESS PHOSPHOR BRONZE ALLOY SELECTIVE GOLD PLATING OVER NICKEL;

**GOLD PLATING:** 3μ#, 6μ#, 15μ#, 30μ#, 50μ#  
**WORKING TEMPERATURE:** -20°C~70°C  
**TOLERANCES UNLESS OTHERWISE SPECIFIED :**  
 0-10±0.15, 10-20±0.2, 20-40±0.25, 40-70±0.3, ≥70±0.4



**1.Recommend Plug Dim**



All contacts recessed below top of housing and must be at the same height approximately.

All dimensions follow :  
 FCC subpart F, 68,500, Figure (C)(2)(i)  
 IEC 60603-7  
 STANDARD MODULAR PLUG ASSEMBLY

**NOTES :** 1. Tolerance : PCB ±0.05mm  
 Connector ±0.25mm  
 2. Connector dimensions comply with FCC 68.5 dimension requirements

**B-TOP** 东莞市博腾电子科技有限公司  
 Dongguan BtopTech Electronic Technology Co., Ltd.

<b>DIM.</b>	<b>TOL.</b>	<b>UNIT:</b>	<b>mm</b>
X	±0.30	<b>SCALE:</b>	1:1
X.X	±0.20	<b>SHEET:</b>	1 of 2
X.XX	±0.15	<b>DWG. SIZE:</b>	A4
X.XXX	±0.10	<b>LAYER:</b>	XXXX
<b>GENERAL ANGLE:</b>		<b>APPROVED:</b>	
±3°			

<b>WEBSITE:</b>	WWW.BTOPTECH.COM WWW.BTOPTECH.CN
<b>TEL:</b>	0769-38928198
<b>FAX:</b>	0769-38928199
<b>DRAWN:</b>	
<b>CHECKED:</b>	
<b>APPROVED:</b>	

<b>TITLE:</b>	B50(27-146)F4-003-A113-B52
<b>PART NO.:</b>	TAB-DOWN 21.6 1X1Port 10/100BASE W/ SHELL W/ LED

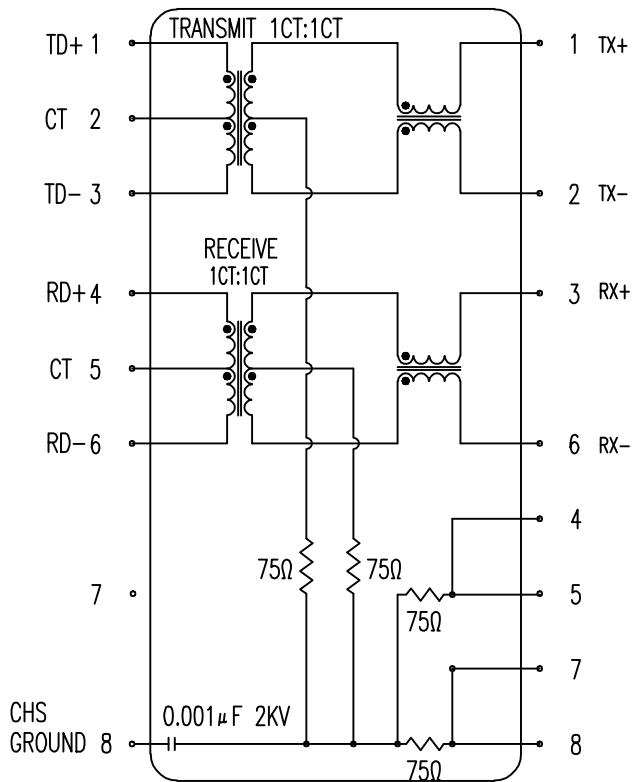
<b>REV.</b>	<b>DESCRIPTION</b>	<b>ECN NO.</b>	<b>NAME</b>	<b>DATE</b>
XA	NEW RELEASE	xxxx	Jason	2018-Jun-19
<b>REVISIONS</b>				

Meets or exceeds IEEE 802.3 standard for 10/100/1000 Base-TX  
 350 uH minimum OCL with 8mA DC bias current  
 Available with or without LEDs  
 Minimum 1500Vrms isolation per IEEE802.3 requirement  
 Operating temperature 0°C to +70°C  
 Storage temperature -40°C to +85°C

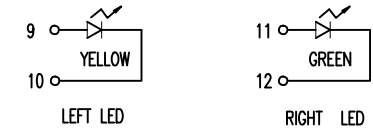
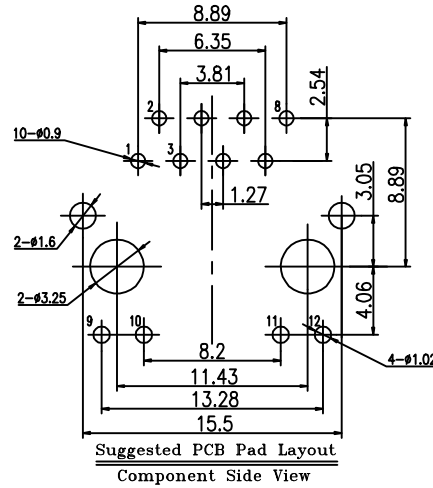
2. TRANSFORMER ELECTRICAL SPECIFICATIONS AT 25°C;

Insertion Loss (dB max.)	Return Loss (dB min.)			Cross talk (dB min.)			C.M.R. (dB min.)		Hi - pot ( Vrms )
	1-30 MHz	30-60 MHz	60-80 MHz	1-30 MHz	30-60 MHz	60-100 MHz	10-60 MHz	60-100 MHz	
1-100MHz	1-30 MHz	30-60 MHz	60-80 MHz	1-30 MHz	30-60 MHz	60-100 MHz	10-60 MHz	60-100 MHz	60Hz/1min.
-1.0	-18	-16	-12	-40	-35	-30	-40	-30	1500

3. SCHEMATIC:



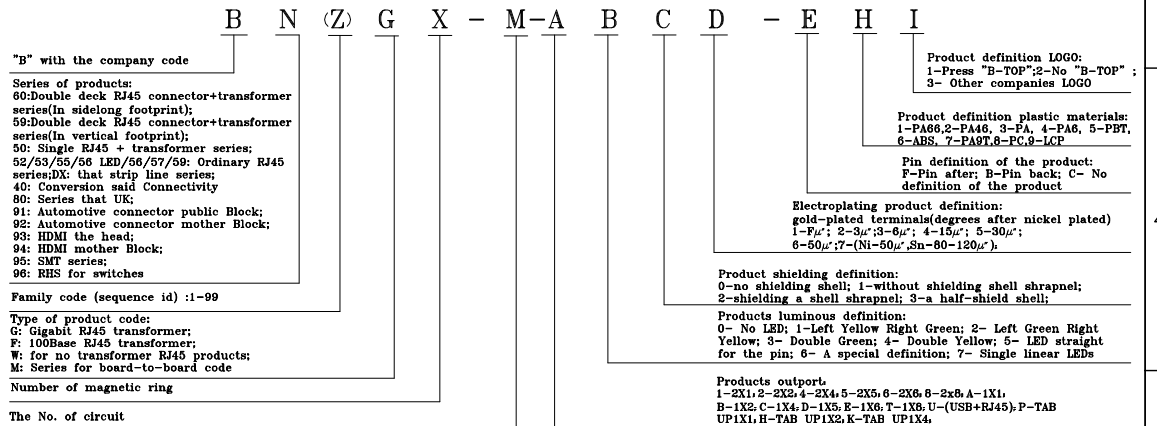
4. Pin Assignment For PCB Layout



Standard LED Color	LED Wavelength	Forward (V MAX)	Typical (V TYP)	Luminous Intensity
Green	560-580nm	2.5V	2.1-2.2V	9-25MCD
Yellow	580-610nm	2.5V	2.1-2.2V	9-30MCD

LED Specification

5. ORDER INFORMATION

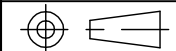


**B-TOP** 东莞市博腾电子科技有限公司  
 Dongguan BtopTech Electronic Technology Co., Ltd.

TITLE: B50(27-146)F4-003-A113-B52

PART NO.: TAB-DOWN 21.6 1X1Port 10/100BASE W/ SHELL W/ LED

DIM. TOL.  
 X ±0.30  
 X.X ±0.20  
 X.XX ±0.15  
 X.XXX ±0.10  
 GENERAL ANGLE:  
 ±3°



UNIT: mm  
 SCALE: 1:1  
 SHEET: 2 of 2  
 DWG. SIZE: A4  
 LAYER: XXXX

WEBSITE: WWW.BTOPTECH.COM  
 WWW.BTOPTECH.CN  
 TEL: 0769-38928198  
 FAX: 0769-38928199

DRAWN:  
 CHECKED:  
 APPROVED:

REV.	DESCRIPTION	ECN NO.	NAME	DATE
XA	NEW RELEASE	xxxx	Jason	2018-Jun-19

REVISIONS